



EFFORTLESS COVERAGE™

Neo for Iwata BCN

Siphon Feed Dual Action Airbrush #N2000

Illustrated Parts Listing

NEO - BCN



Item#	Part No.	Description
1	N 1101	Needle Cap
2	N 1402	Nozzle Cap 0.5mm (N5)
3	N 0802	Nozzle 0.5mm (N5)
4	N 1001	Main Lever (Trigger)
5	N 1501	Needle Packing (PTFE)
6	N 1251	Needle Packing Screw
7	N 1151	Needle Chucking Guide
8	N 1351	Needle Spring
9	N 1701	Needle Spring Guide
10	N 0752	Needle 0.5mm (N5)
11	N 1201	Needle Chucking Nut
12	N 1051	Needle O-ring

Item#	Part No.	Description
13	N 0901	Handle
14	N 1502	Air Valve O-ring
15	N 0201	Valve Set with Valve Spring
19	BTL	See Iwata Bottle Assemblies
20	N1651	Spanner

Optional

To change from 0.5 mm to 0.35 mm, change the below 3 parts for optimum performance

2	N 1401	Nozzle Cap 0.35mm (N3)
3	N 0801	Nozzle 0.35mm (N3)
10	N 0751	Needle 0.35mm (N3)

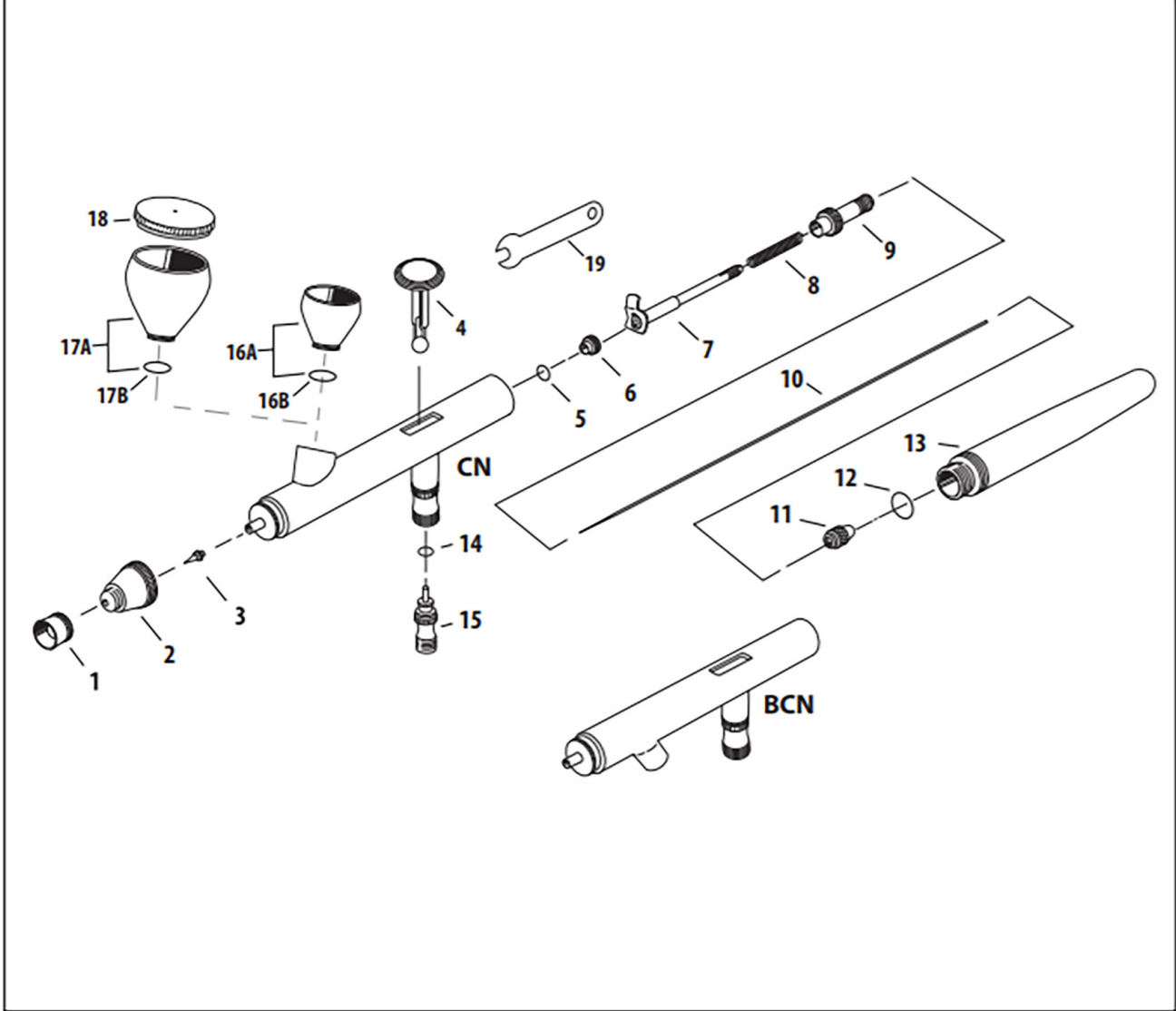
See next Page for schematic

Available from:

Dixie Art Airbrush www.dixieart.com • 800.783-2612

**EFFORTLESS
COVERAGE**
手頃で手軽

NEO FOR IWATA AIRBRUSH SERIES
BCN / CN



#	ITEM DESCRIPTION	PRICE CODE	ITEM #	BCN	CN
1	Needle Cap	A	N1101	■	■
2	Nozzle Cap	N3	A N1401	OPT	■
		N5	A N1402	■	OPT
3	Nozzle	N3	C N0801	OPT	■
		N5	C N0802	■	OPT
4	Main Lever	A	N1001	■	■
5	Needle Packing (PTFE)	A	N1501	■	■
6	Needle Packing Screw	A	N1251	■	■
7	Needle Chucking Guide	A	N1151	■	■
8	Needle Spring	A	N1351	■	■
9	Spring Guide	A	N1701	■	■
10	Needle	N3	A N0751	OPT	■
		N5	A N0752	■	OPT

#	ITEM DESCRIPTION	PRICE CODE	ITEM #	BCN	CN
11	Needle Chucking Nut	A	N1201	■	■
12	Handle O-ring	A	N1051	■	■
13	Handle	C	N0901	■	■
14	Air Valve O-ring	A	N1502	■	■
15	Valve Set With Valve Spring	A	N0201	■	■
	Bottle	2 oz / 60 ml	- A4702	■	x
16A	Cup (Gravity)	0.05 oz / 1.50 ml	D N0701	x	■
16B	Cup (Gravity) O-ring	0.05 oz / 1.50 ml	A N0712	x	■
17A	Cup (Gravity)	0.24 oz / 7 ml	C N0702	x	■
17B	Cup (Gravity) O-ring	0.24 oz / 7 ml	A N0713	x	■
18	Cup (Gravity) Lid	0.24 oz / 7 ml	A N0954	x	■
19	Spanner	A	N1651	■	■

■ - yes X - no opt - optional

Available from:

Dixie Art Airbrush www.dixieart.com • 800.783-2612