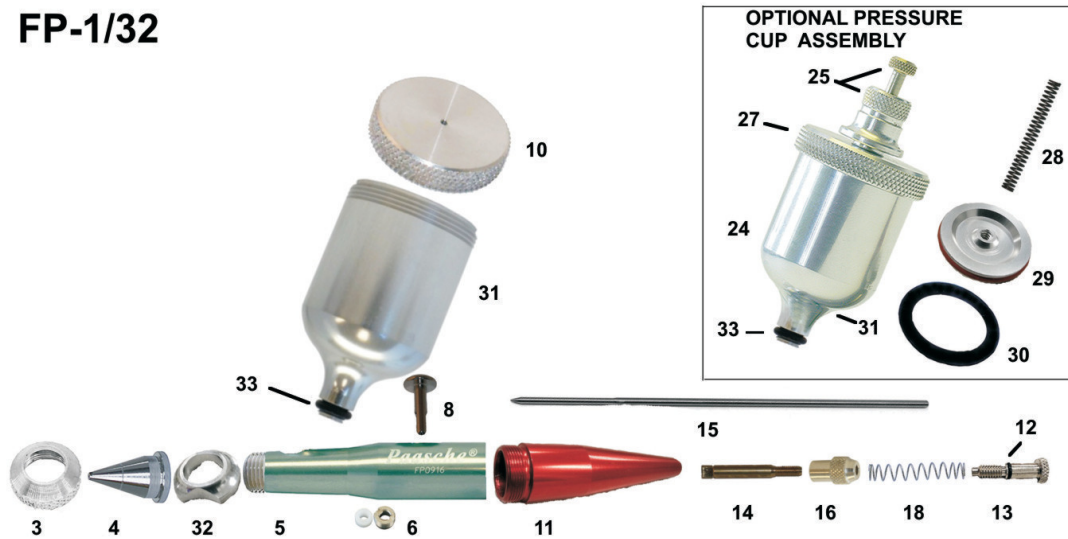


Paasche Flow Pencil FP-1/32

Illustrated Parts Listing

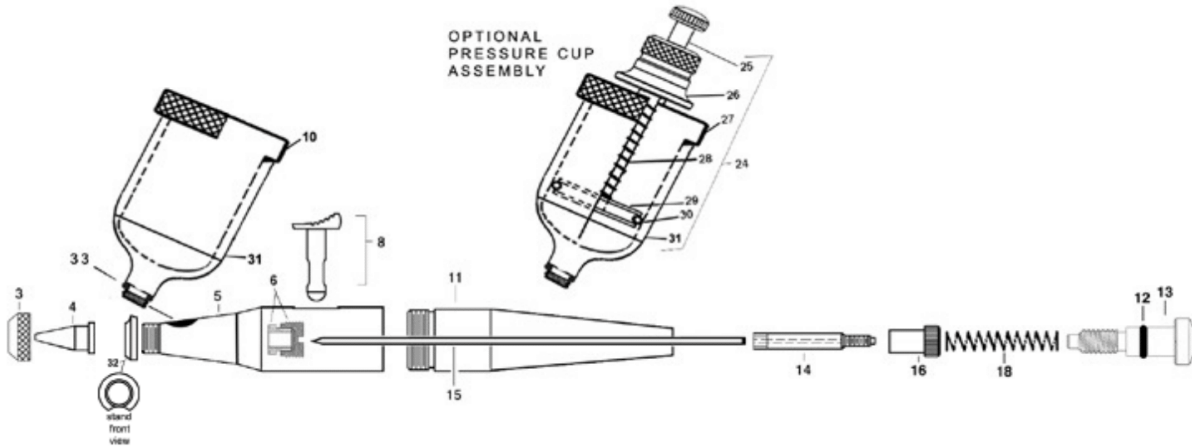
FP-1/32



Item #	Part No.	Description	Item #	Part No.	Description
3	MU-9	Tip Nut	31	FP-6	Cup (only) Aluminum
4	LN-1/32	Nib 1/32"	33	AE-43	O-ring
4	LN-1/64	Nib 1/64"			Optional
4	LN-3/64	Nib 3/64"			
4	LN-1/16	Nib 1/16"			
5	MU-48A	Shell Assembly	24	FP-45	Pressure Cup Complete
6	MU-612	PTFE Packing & Packing Nut	32	MU-77	Stand
8	MU-65	Finger Lever			Pressure Cup Parts
10	FP-10	Cover for FP-6 only	25	MU-25	Rod & Cap Assemble
11	MU-71	Handle	26	MU-69	Nut
12	3A-4	O-ring (Pk of 6)	27	FP-5	Cover for Pressue Cap only
13	MU-72	Adjusting Screw	28	MU-26	Spring
14	MU-57	Needle Chuck	29	FP-9	Piston
15	MU-49L	Needle	30	FP-8	O-Ring (FDA)
16	VL-141	Locknut			
18	VL-140	Spring			

See next Page for schematic

Available from: *Dixie Art Airbrush* • www.dixieart.com • 800.783.2612 / 504.466.6556



FP-1/32 FLOW PENCIL (WITH EXTRA NIBS: LN-1/64, 3/64 AND 1/16)

HAPK KIT comes with one size nib only

Nibs are grooved as follows:

LN-1/64 has one (1) groove

LN-1/32 has two (2) grooves

LN-3/64 has three (3) grooves

LN-1/16 has four (4) grooves

No.	Part No.	Description	No.	Part No.	Description
3.	*MU-9	Tip Nut	31.	*FP-6	Cup (only) Aluminum
4.	**LN-1/32	Nib (1/64, 3/64 & 1/16 Sizes)	32.	MU-77	Stand
5.	*MU-48A	Shell Assembly	33.	AE-43	"O" Ring
6.	**MU-612	PTFE Packing & Packing Nut	(OPTIONAL PRESSURE CUP)		
8.	**MU-65	Finger Lever Assembly	24.	FP-45	(Complete assembly)
10.	*FP-10	Basic Cover (only)	25.	**MU-25	Rod & Cap Assembly
11.	MU-71	Handle	26.	*MU-69	Nut
12.	3A-4	"O" Ring	27.	*FP-5	Pressure Cover (only)
13.	**MU-72	Adjusting Screw	28.	MU-26	Spring
14.	**MU-57	Needle Chuck	29.	*FP-9	Piston
15.	***MU-49L	Needle	30.	****FP-8	(FDA) "O" Ring
16.	**VL-141	Locknut	31.	*FP-6	Cup (only) Aluminum
18.	***VL-140	Spring	33.	AE-43	"O" Ring (rubber)

Contains Aluminum....*

Contains Brass....**

Contains Stainless Steel....***

Contains FDA Approved Silicone....****