

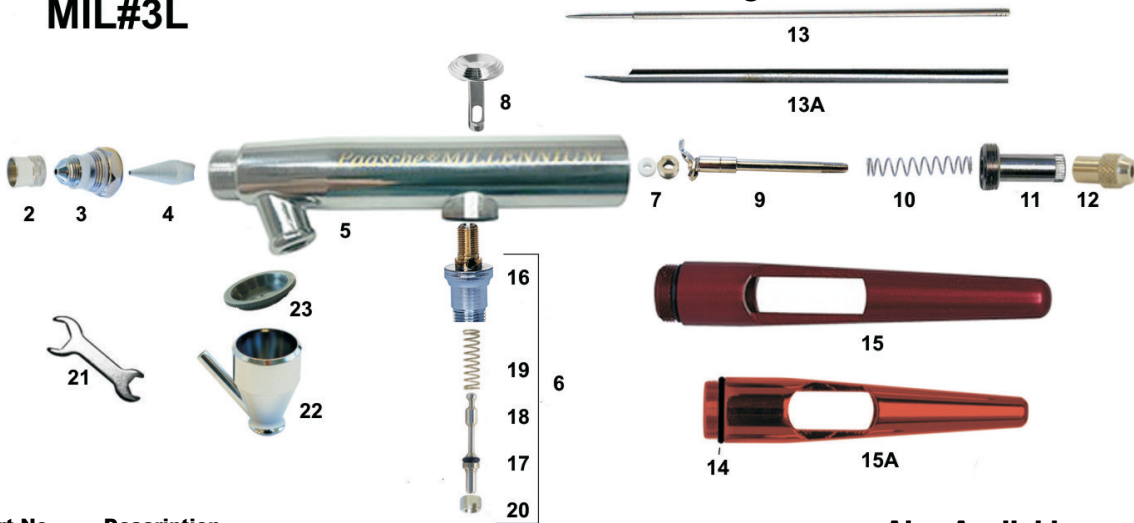
## Paasche Millennium MIL#3 0.74mm Airbrush

### Siphon Feed Dual Action

Friction Held connection for Bottle Assemblies

**MIL#3L**

#### Illustrated Parts Listing



Item #	Part No.	Description
2	XI-41	Needle Protecting Cap
3	VLH-3	Head #3 (0.74mm)
4	VLT-3	Tip #3 (0.74mm)
5	MIL-2	Shell Assembly
6	VL-215	Air Valve Assembly
7	MU-612	PTFE Packing & Packing Nut
8	MIL-13	Trigger
9	MIL-4	Rocker Assembly
10	MIL-11	Spring
11	V-136A	Needle Adjusting Sleeve
12	VL-141	Locknut
13	VLN-3	Needle #3 (0.74mm)
14	MIL-12	O-ring Handle MIL 10
15	MIL-10	Cut-Away Aluminum Handle
16	MIL-9	Valve Casing
17	A-53	Valve Washer (Pack of 6)
18	VL-214	Valve Plunger w/A-53
19	VL-140	Valve Spring
20	A-23R	Air Valve Nut

#### Optional

13A	VL-54	Reamer
14	VL-224	O-ring Handle HVL-202
15A	HVL-202	Metal Handle w/Cut Out (Aluminum)
21	V-62	Wrench
22	VL1/4oz	1/4 oz Color Cup
23	HVL1/4	Color Cup Cap
N/S	MIL10RK	Repair Kit less Head components
N/S	VL227-3	VL#3 Head, Tip and Needle Set
N/S		<a href="#">VL Series Bottle Assemblies</a>

Item #	Part No.	Description	Also Available
2	VLH-1	Head #1 (0.25 mm)	
2	VLH-3	Head #3 (0.74 mm)	
2	VLH-5	Head #5 (1.05 mm)	
3	VLT-1	Tip #1 (0.25 mm)	
3	VLT-3	Tip #3 (0.74 mm)	
3	VLT-5	Tip #5 (1.05 mm)	
13	VLN-1	Needle #1 (0.25 mm)	
13	VLN-1POL	Polished Needle #1 (0.25 mm)	
13	VLN-3	Needle #3 (0.74 mm)	
13	VLN-5	Needle #5 (1.05 mm)	
N/S	VL227-1	VL#1 Head, Tip and Needle Set	
N/S	VL227-3	VL#3 Head, Tip and Needle Set	
N/S	VL227-5	VL#5 Head, Tip and Needle Set	

#### To Change MIL#3 to MIL#1 change the following

##### Parts for Optimum Performance:

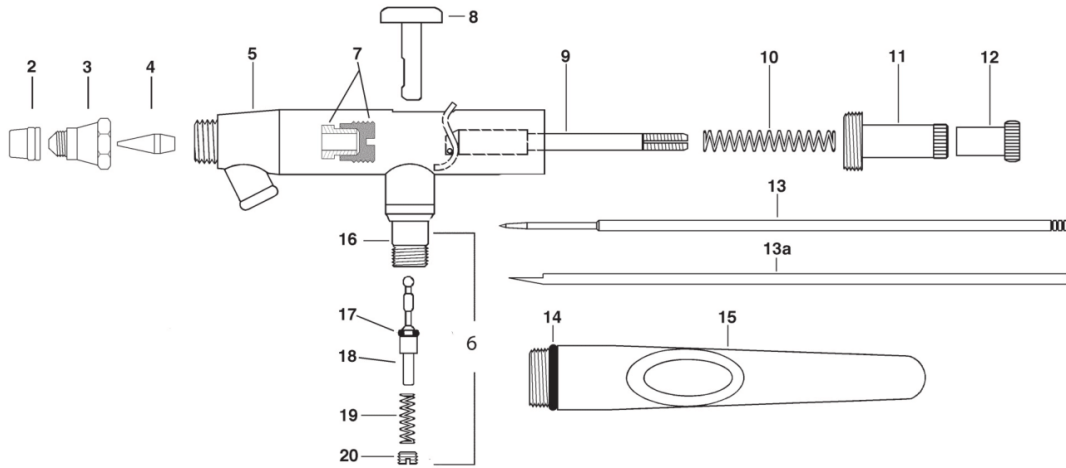
2	VLH-1	Head #1 ( 0.55mm)
3	VLT-1	Tip #1 (0.55mm)
4	VLN-1	Needle #1 (0.55mm) or
4	VLN-1POL	Needle #1 (0.55mm) Polished OR USE
N/S	VL227-1	VL#1 Head, Tip and Needle Set

#### To Change MIL#3 to MIL#5 change the following

##### Parts for Optimum Performance:

2	VLH-5	Head #5 ( 0.55mm)
3	VLT-5	Tip #5 (0.55mm)
4	VLN-5	Needle #5 (0.55mm) OR USE
N/S	VL227-5	VL#5 Head, Tip and Needle Set

**MILLENNIUM (MIL)**



NO.	PART	DESCRIPTION
2.	XI-41	Needle Protecting Cap
3.	VLH-1,3 or 5	Head (Sizes 1 & 5 Optional)
4.	VLT-1,3 or 5	Tip (Sizes 1 & 5 Optional)
5.	MIL-2	Shell Assembly
7.	MU-612	PTFE Packing & Packing Nut
8.	MIL-13	Trigger
9.	MIL-4	Rocker Assembly
10.	MIL-11	Spring
11.	V-136A	Needle Adjusting Sleeve
12.	VL-141	Locknut
13.	VLN-1,3 or 5	Needle (Sizes 1 & 5 Optional)
14.	MIL-12	'O' Ring
15.	MIL-10	Cut-Away Aluminum Handle
16.	MIL-9	Valve Casing
17.	A-53	Valve 'O' Ring (pack of 6)
18.	VL-214	Valve Plunger (with A-53)
19.	VL-140	Spring
20.	A-23R	Air Valve Nut

**Additional Items:**

13.	VLN-1POL	Hand Polished Needle
13a.	VL-54	Reamer
17.	A-53	Valve 'O' Ring (pack of 6)
15.	HVL-202	Metal Handle with Cut-Out
14.	VL-224	O-ring
6.	VL-215	Air Valve Assembly
<b>VL-227-1, 3 or 5</b>		<b>Multiplehead (Specify Size)</b>
	VLH-1, 3 or 5	Head (Specify Size)
	VLT-1, 3 or 5	Tip (Specify Size)
	VLN-1, 3 or 5	Needle (Specify Size)

**AIRHOSES W/ INSTALLED COUPLINGS**

A-1/8-size	Braided Airhose (6', 8', 10', 15', 20', 25' & 50')
HPB-1/8-10	10' Black Plastic Airhose



The BA bottle assemblies are a new cover configuration and all use plastic bottle. The 2P and 4P are narrow neck and work with most airbrush paint bottles like Createx and Paasche

Paasche Airbrush.Co.  
 9511 58th Place Kenosha, WI. 53144  
 Phone:773/867-9191 Email: info@paascheairbrush.com

Printed in the USA