

Custom Micron
ABSOLUTE PRECISION™

CUSTOM MICRON CM-C Original Series Gravity Feed Dual Action Airbrush

Illustrated Parts Listing



No	Part No.	Description	No	Part No.	Description
1	i 5352	Head System 0.23 mm	11	i 5601	Needle Chucking Nut
1A	i 5351D	Head Needle Crown Cap	12A	i 5851	Handle (Preset)
1B	i 5352C	Head Nozzle Cap 0.23 mm	13	i 5452	Main Lever
1C	i 5352B	Head Nozzle 0.23 mm	14	i 5001	Valve Piston
1D	i 5351A	Head Nozzle Base	15	i 5151	Auxiliary Lever
2	i 5802	Head Packing (washer)	16	i 5801	Valve Piston Packing (washer)
3	---	Body CM-C	17	i 5101	Air Valve Set
5	i 5902	Packing Fluid Needle Set(PTFE)	18	i 5551	Needle Chucking Guide Screw
6	i 5901	Spring Guide	19A	i 5301	Fluid Cap Lid W/Cut out
7	i 5501	Needle Chucking Guide	31	i 1651	Spanner (nozzle wrench)
8	i 5701	Needle Spring			Optional
9	i 5751	Needle Spring Adjuster	12B	i 5852	Handle (Single Cut)
10	i 5402	Fluid Needle 0.23 mm	19B	i 6181	Fluid Cup Lid

See next Page for schematic

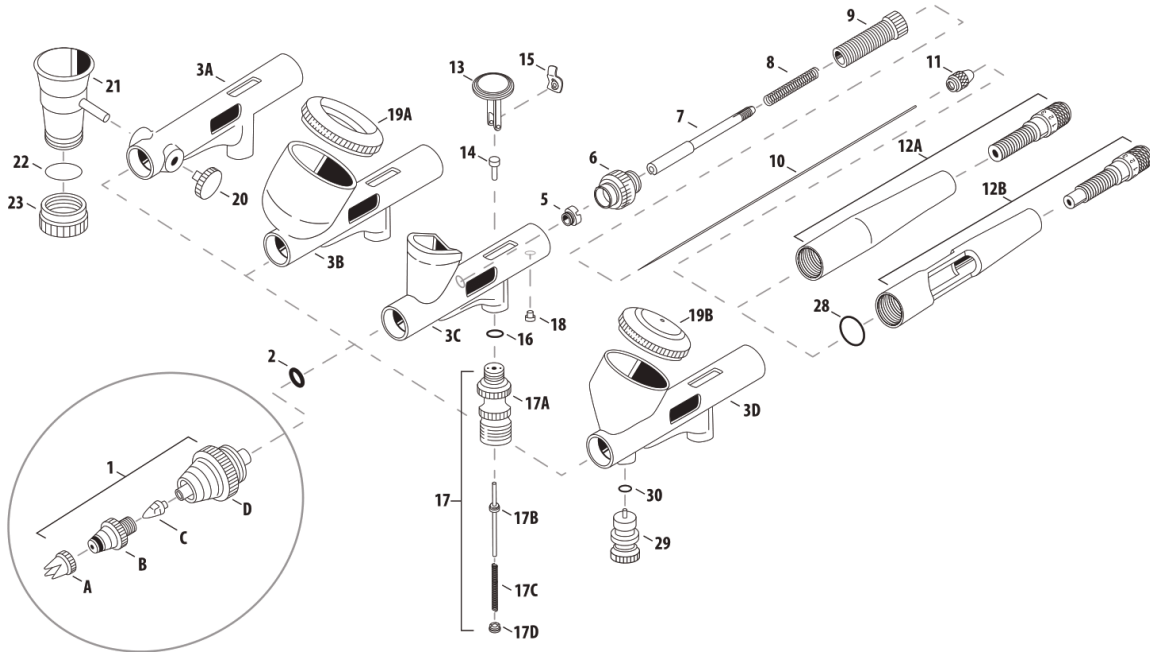
Available from:

Dixie Art Airbrush

www.dixieart.com

800.783-2612 • 504.466.7609

IWATA CUSTOM MICRON SERIES (ORIGINAL)



#	ITEM DESCRIPTION	PRICE CODE	ITEM #	CM-B	CM-SB	CM-C	CM-C+	ALSO FITS
1	Fluid Head System 0.18 mm 0.23 mm	L L	I 535 1 I 535 2	■	■	x	x	All CM
1A	Fluid Head-Needle Crown Cap	D	I 535 1D	■	■	■	■	All CM
1B	Fluid Head-Nozzle Cap	G	I 535 1C I 535 2C	■	■	x	x	All CM
1C	Fluid Head-Nozzle 0.18 mm 0.23 mm	H	I 535 1B I 535 2B	■	■	x	x	All CM
1D	Fluid Head Nozzle Base	J	I 535 1A	■	■	■	■	All CM
2	Packing Fluid Head (O-Ring)	C	I 580 2	■	■	■	■	All CM
3A	Body*	SB	N/A	x	■	x	x	
3B		C	N/A	x	x	■	x	
3C		B	N/A	■	x	x	x	
3D		C+	N/A	x	x	x	■	
5	Packing Fluid Needle Set (PTFE)	D	I 590 2	■	■	■	■	All CM
6	Spring Guide	E	I 590 1	■	■	■	■	
7	Needle Chucking Guide	E	I 550 1	■	■	■	■	
8	Needle Spring	B	I 570 1	■	■	■	■	All CM
9	Needle Spring Adjuster	E	I 575 1	■	■	■	■	All CM
10	Fluid Needle 0.18 mm 0.23 mm 0.23 mm	E E E	I 540 1 I 540 2 I 540 3	■	■	x	x	CM-C (Ver2) CM-C (Ver2) Opt for Original only CM-C+ (Ver2)
11	Needle Chucking Nut	B	I 560 1	■	■	■	■	All CM
12A	Pre-Set Handle Set	H	I 585 1	■	■	■	opt	
12B	Pre-Set Handle (Single Cut)	H	I 585 2	opt	opt	opt	■	
13	Main Lever	F	I 545 1 I 545 2	■	■	x	x	
14	Air Piston	B	I 500 1	■	■	■	■	All CM

#	ITEM DESCRIPTION	PRICE CODE	ITEM #	CM-B	CM-SB	CM-C	CM-C+	ALSO FITS
15	Auxiliary Lever	B	I 515 1	■	■	■	■	
16	Packing Air Piston (O-Ring, 2pcs)	B	I 580 1	■	■	■	■	All CM
17	Air Valve Set	H	I 510 1	■	■	■	■	All CM
17A	Air Valve Body <small>Discontinued</small>	F	I 510 2	x	x	x	x	All CM
17B	Air Valve <small>Discontinued</small>	C	I 505 1	x	x	x	x	All CM
17C	Air Valve Spring <small>Discontinued</small>	B	I 510 4	x	x	x	x	All CM
17D	Air Valve Guide <small>Discontinued</small>	B	I 510 3	x	x	x	x	All CM
18	Needle Chucking Guide Screw	B	I 555 1	■	■	■	■	
19A	Fluid Cup Lid	E	I 530 1	x	x	■	opt	All CM
19B	Fluid Cup Lid	E	I 618 1	x	x	opt	■	All CM
20	Blanking Cover	B	I 045 2	x	■	x	x	All CM
21	Fluid Cup 1/8 oz 1/4 oz	G G	I 070 3 I 070 4	x	■	x	x	All CM
22	Packing Lower Lid (Gasket)	A	I 150 5	x	■	x	x	All CM
23	Lower Lid <small>Discontinued</small> 1/8 oz 1/4 oz	B C	I 095 6 I 095 7	x	x	x	x	All CM
28	Packing Handle (O-Ring)	A	I 605 1	x	x	x	■	All CM
29	Micro Air Control Valve	D	I 190 1	x	x	x	■	All CM
30	Packing Mac Valve (O-Ring)	A	I 190 2	x	x	x	■	All CM
	Spanner (Nozzle Wrench)	B	I 165 1	■	■	■	■	All CM
	Quick Fit Set (QD and Adaptor)	H	I 160 3	opt	opt	opt	opt	All CM
	Quick Fit Adaptor (Adaptor Only)	C	I 160 4	opt	opt	opt	opt	All CM
	Adaptor (Iwata Airbrushes to Paasche Airhose)		J001	opt	opt	opt	opt	All CM
	Adaptor (Iwata Airbrushes to T & C/Badger Airhoses)		J002	opt	opt	opt	opt	All CM

CA PROP 65 CALIFORNIA PROP 65 WARNING: Certain products identified with this symbol and offered for sale in this catalog contain lead, a chemical known to the State of California to cause cancer, birth defects and other reproductive harm.
Up dated 01/2024

■ = yes X = no opt = optional
*Replacement parts not available.

Available from:

Dixie Art Airbrush • www.dixieart.com • 800.783-2612 • 504-466-6556