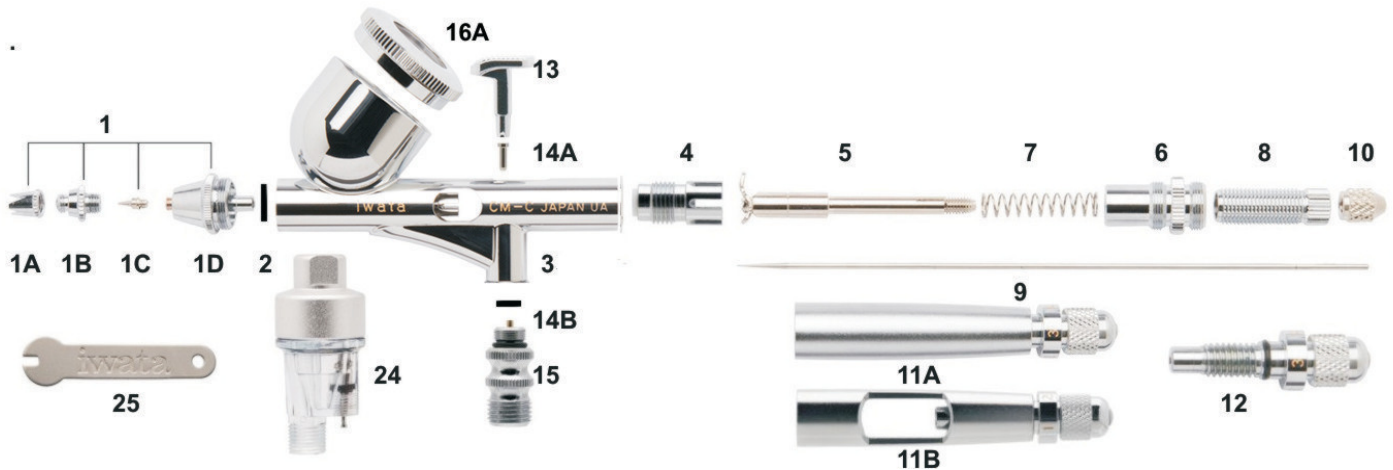


Custom Micron
ABSOLUTE PRECISION™

CUSTOM MICRON CM-C
Current Series (Version 2)
Gravity Feed Dual Action Airbrush #ICM4002

Illustrated Parts Listing



No	Part No.	Description	No	Part No.	Description
1	i 5352	Head System 0.23mm (C2)	10	i 5601	Needle Chucking Nut
1A	i 5351D	Head Needle Crown Cap	11A	i 5854	Handle (Preset)
1B	i 5352C	Head Nozzle Cap 0.23mm (C2)	12	i 5861	Handle Crown Cap Dock (preset)
1C	i 5352B	Head Nozzle 0.23mm (C2)	13	i 5454	Main Lever
1D	i 5351A	Head Nozzle Base	14A	i 5001	Valve Piston
2	i 5802	Head Packing (washer)	14B	i 5801	Valve Piston Packing (washer)
3C	---	Body CM-C	15	i 5101	Air Valve Set
4	i 5902	Needle Packing Screw (PTFE)	16A	i 5301	Cup Lid 0.24 oz/7 ml
5	i 1157	Needle Chucking Guide	24	FA450	Pistol-Grip Filter
6	i 5903	Spring Guide	25	i1651	Spanner (nozzle wrench)
7	i 5701	Needle Spring			Optional
8	i 5751	Needle Spring Adjuster	11B	i 5855	Handle (Preset/Single Cut)
9	i 5402	Head Needle 0.23mm (C2)	16B	i 6181	Cup Lid Gravity 0.24 oz/7 ml

See next Page for schematic

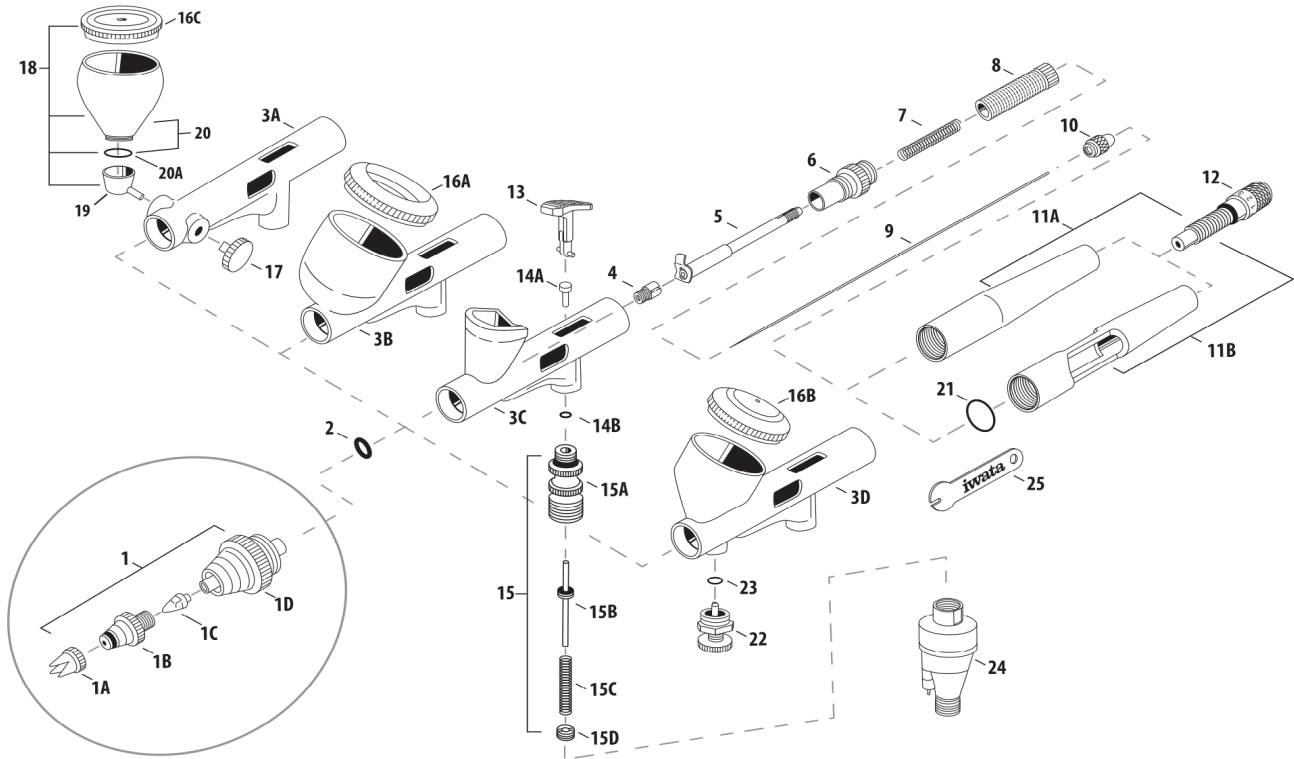
Available from:

Dixie Art Airbrush

www.dixieart.com

800.783-2612 • 504.466.7609

IWATA CUSTOM MICRON AIRBRUSH SERIES (VERSION 2)



IWATA CUSTOM MICRON AIRBRUSH SERIES (VERSION 2) REPLACEMENT PARTS

#	ITEM DESCRIPTION	PRICE CODE	ITEM #	CM-B	TAKUMI	CM-C	CM-C+
1	Head System	C1	L I5351	■	■	x	x
		C2	L I5352	x	x	■	■
1A	Head Needle Crown Cap	D	I5351D	■	■	■	■
1B	Head Nozzle Cap	C1	G I5351C	■	■	x	x
		C2	G I5352C	x	x	■	■
1C	Head Nozzle	C1	H I5351B	■	■	x	x
		C2	H I5352B	x	x	■	■
1D	Head Nozzle Base	J	I5351A	■	■	■	■
2	Head Packing	C	I5802	■	■	■	■
3A	Takumi Body*	-	-	x	■	x	x
3B	CM-C Body*	-	-	x	x	■	x
3C	CM-B Body*	-	-	■	x	x	x
3D	CM-C Plus Body*	-	-	x	x	x	■
4	Needle Packing Screw (PTFE)	D	I5902	■	■	■	■
5	Needle Chucking Guide	C	I1157	■	■	■	■
6	Spring Guide	C	I5903	■	■	■	■
7	Needle Spring	B	I5701	■	■	■	■
8	Needle Spring Adjuster	E	I5751	■	■	■	■
9	Head Needle	C1	E I5404	■	x	x	x
		C1	E I5406	x	■	x	x
		C2	E I5402	x	x	■	x
		C2	E I5403	x	x	x	■
10	Needle Chucking Nut	B	I5601	■	■	■	■
11A	Handle (Preset)	H	I5854	■	OPT	■	OPT
11B	Handle (Preset/Single Cut)	H	I5855	OPT	■	OPT	■
12	Handle Crown Cap Dock (Preset)	E	I5861	■	■	■	■

#	ITEM DESCRIPTION	PRICE CODE	ITEM #	CM-B	TAKUMI	CM-C	CM-C+
13	Main Lever	D	I5454	■	■	■	■
14A	Valve Piston	B	I5001	■	■	■	■
14B	Valve Piston Packing	B	I5801	■	■	■	■
15	Air Valve Set	H	I5101	■	■	■	■
15A	Air Valve Body	-	-	■	■	■	■
15B	Air Valve	-	-	■	■	■	■
15C	Air Valve Spring	-	-	■	■	■	■
15D	Air Valve Guide	-	-	■	■	■	■
16A	Cup Lid	0.24 oz / 7 ml	E I5301	x	x	■	OPT
16B	Cup Lid (Gravity)	0.24 oz / 7 ml	E I6181	x	x	OPT	■
16C	Cup Lid (Siphon Cut)	0.24 oz / 7 ml	C I6187	x	■	x	x
17	Blanking Cover	A	I0452	x	■	x	x
18	Cup Assembly	0.24 oz / 7 ml	H I0710	x	■	x	x
19	Cup Adapter (Side-Gravity)	D	I0700	x	■	x	x
20	Cup (Gravity)	0.24 oz / 7 ml	D N0702	x	■	x	x
20A	Cup (Gravity) O-ring	0.24 oz / 7 ml	A N0713	x	■	x	x
21	Handle O-Ring	A	I6051	x	■	x	■
22	MAC Valve Set	D	I1901	x	x	x	■
23	MAC Valve Packing	A	I1902	x	x	x	■
24	Pistol-Grip Filter	-	FA450	■	■	■	■
25	Spanner	B	I1651	■	■	■	■
	QuickFit Quick Disconnect Set	H	I1603	OPT	OPT	OPT	OPT
	QuickFit Quick Disconnect Airbrush Adaptor	C	I1604	OPT	OPT	OPT	OPT
	Airbrush Adapter for Paasche Air Hose	-	J001	OPT	OPT	OPT	OPT
	Airbrush Adapter for T&C/Badger Air Hoses	-	J002	OPT	OPT	OPT	OPT

■ = yes X = no OPT = optional
*Replacement parts not available.

Available from:

Dixie Art Airbrush • www.dixieart.com • 800.783-2612 • 504-466-6556