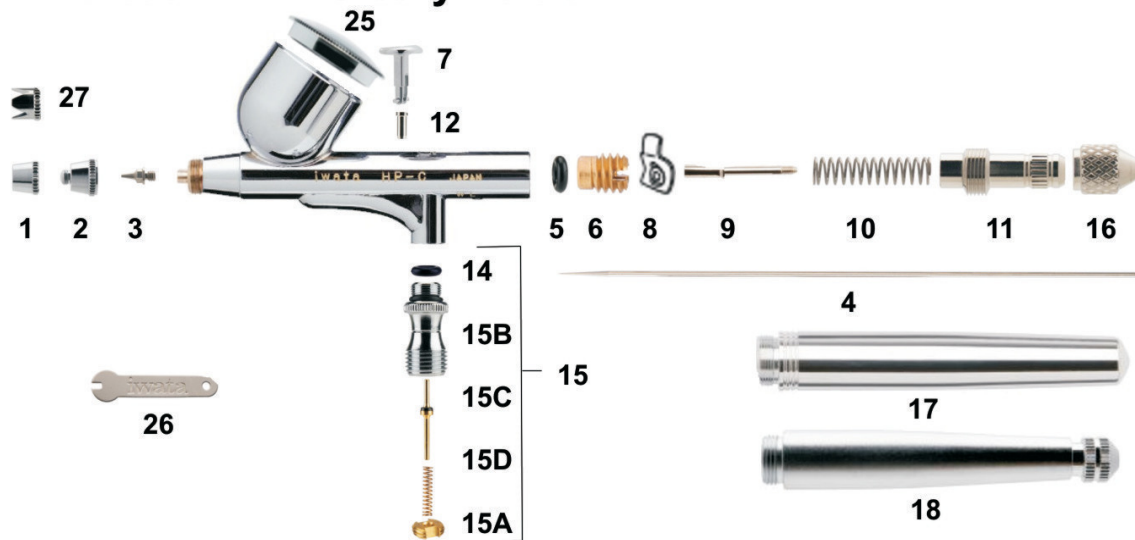




## IWATA HIGH PERFORMANCE HP-C 50<sup>th</sup> Anniversary Gravity Feed Dual Action Airbrush 0.3 mm

### HP-C 50th Anniversary Edition

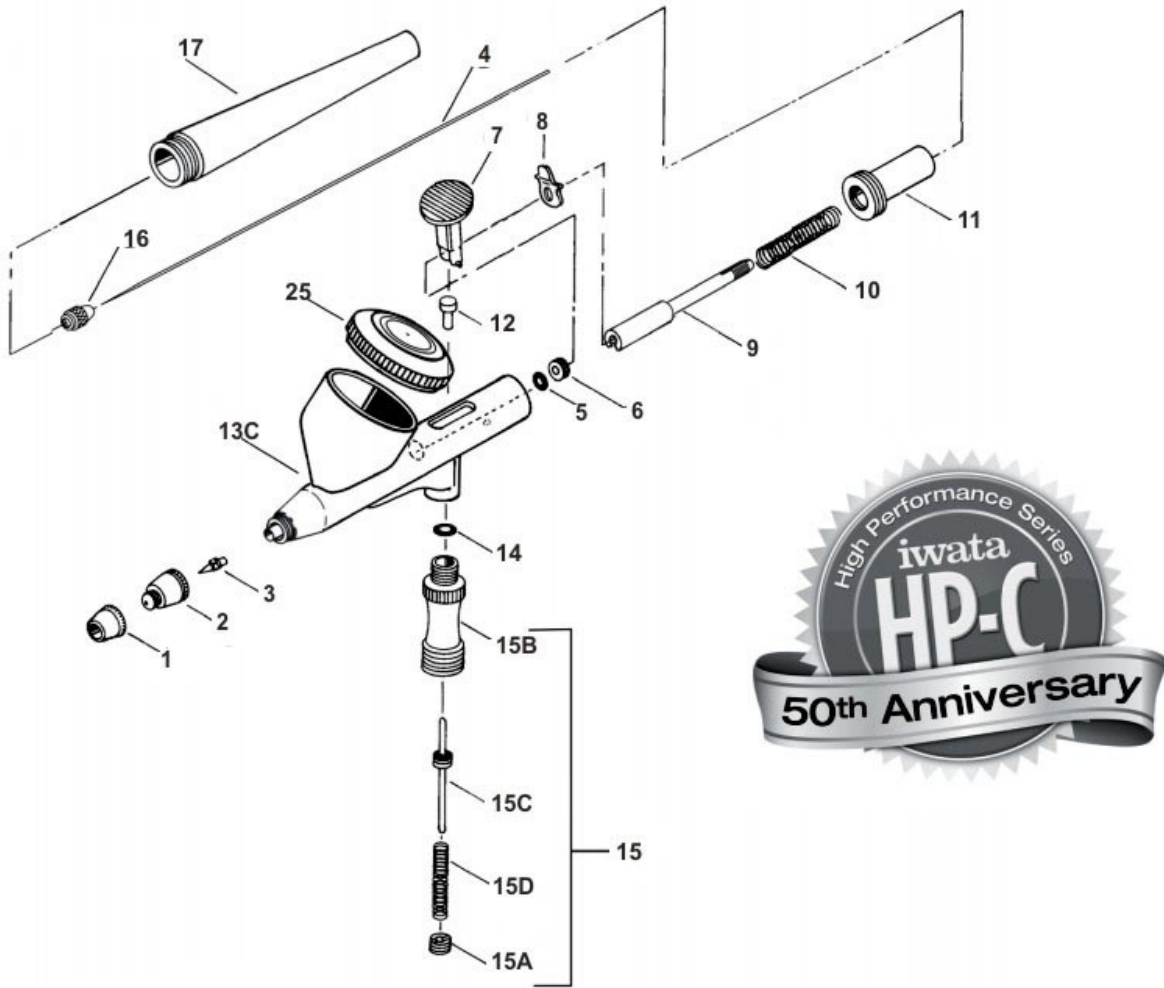


### Illustrated Parts Listing

Item #	Part No.	Description	Item #	Part No.	Description
1	i 1102	Needle Cap	15B	i 0201	Air Valve Body Only
2	i 1403	Head Cap 0.3mm	15D	i 0351	Air Valve Spring
3	i 0803	Nozzle 0.3mm	16	i 1202	Needle Chucking Nut
4	i 0753	Needle 0.3mm	17	i 0902	Handle
5	i 1502	Packing Fluid Needle (O-ring)	25	i 0954	Lid
6	i 1251	Needle Packing Screw	28	i 1651	Spanner (Wrench)
7	i 1002	Main Lever (Trigger)	<b>Optional</b>		
8	i 0404	Auxiliary Lever	2	i 1404	Nozzle cap 0.4mm
9	i 1152	Needle Chucking Guide	3	i 0804	Fluid Nozzle .04mm
10	i 1353	Needle Spring	4	i 0754	Fluid Needle 0.4mm
11	i 1702	Needle Spring Guide	18	i 1552	Pre-Set Handle
12	i 1751	Valve Piston (for Trigger)	27	i 1050	Needle Crown Cap
13	N/A	Body C-50th Anniversary	For optima performance: match Head Cap, Nozzle and Needle to 0.3mm or 0.4mm		
14	i 1451	Packing - Air Piston (o-ring)			
15	i 0304	Air Valve Set			
15A	i 0251	Air Valve Guide			

See next Page for schematic

Available from: *Dixie Art Airbrush* • [www.dixieart.com](http://www.dixieart.com) • 800.783-2612



— IWATA HP-C AIRBRUSH • MASTER PARTS LIST —

#	Item Description	Price Code	Item#	HP-C
1	Needle Cap	B	I 110 2	■
2	Nozzle Cap	0.3 mm D	I 140 3	■
		0.4 mm D	I 140 4	opt
3	Fluid Nozzle	0.3 mm G	I 080 3	■
		0.4 mm G	I 080 4	opt
	Discontinue	0.2 mm G	<del>I 080 2</del>	opt
4	Fluid Needle	0.3 mm C	I 075 3	■
		0.4 mm C	I 075 4	opt
5	Packing Fluid Needle (O-Ring)	A	I 150 2	■
6	Needle Packing Screw	A	I 125 1	■
7	Main Lever	D	I 100 2	■
8	Auxiliary Lever	A	I 040 4	■
9	Needle Chucking Guide	C	I 115 2	■
10	Needle Spring	A	I 135 3	■
11	Spring Guide	C	I 170 2	■
12	Valve Piston	<sup>PROP 65</sup> A	I 175 1	■
13	Body*		N/A	■
14	Packing Air Piston (O-Ring)	A	I 145 1	■
15	Air Valve Set	G	I 030 4	■

■ = yes x = no opt = optional

#	Item Description	Price Code	Item#	HP-C
15A	Air Valve Guide	<sup>PROP 65</sup> A	I 025 1	■
15B	Air Valve Body	D	I 020 1	■
15C	Air Valve	Discontinue <sup>PROP 65</sup> B	<del>I 030 2</del>	■
15D	Air Valve Spring	A	I 035 1	■
16	Needle Chucking Nut	A	I 120 2	■
17	Handle	E	I 090 2	■
18	Pre-Set Handle	G	I 155 2	opt
25	Lid	C	I 095 4	■
	Spanner	A	I 165 1	■
	Conversion Kit (Converts 0.3 mm to 0.4 mm Nozzle - 4 Piece Conversion)	Discontinue	<del>I 160 0</del>	■
	Quick Fit Set (QD Screws Onto Air Hose and Adaptor Screws Onto Airbrush)		I 160 3	opt
	Quick Fit Adaptor (Screws Onto Airbrush)		I 160 4	opt
	Adaptor (Iwata Airbrushes to Paasche Airhose)		J 001	opt
	Adaptor (Iwata Airbrushes to T & C/Badger Air Hoses)		J 002	opt

■ = yes x = no opt = optional

<sup>PROP 65</sup> CALIFORNIA PROP 65 WARNING: Certain products identified with this symbol and offered for sale in this catalog contain lead, a chemical known to the State of California to cause cancer, birth defects and other reproductive harm.

\*Replacement parts not available.

Corrections as of 01/2024