

# **Revolution**

## EFFORTLESS COVERAGE™

IWATA REVOLUTION HP-M2 • 0.4 mm  
Single Action Gravity Feed Mini Airbrush

### Illustrated Parts Listing

**HP-M2**



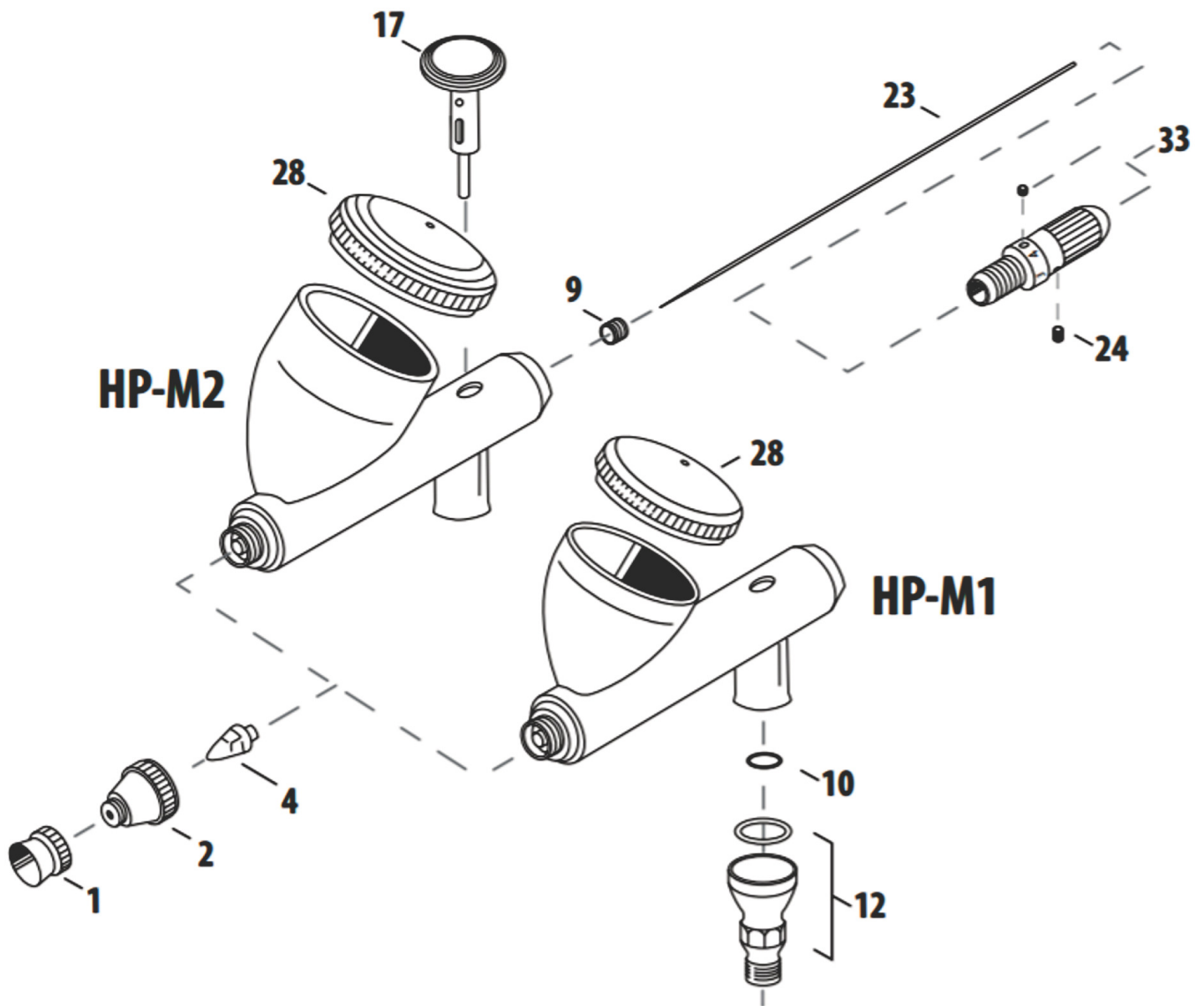
No.	Part No.	Description
1	I 7015	Needle Cap 0.4mm
2	I 7025	Nozzle Cap 0.4mm
4	I 7045	Nozzle 0.4mm
9	I 7251	Needle Packing Screw W/O-ring
10	I 1451	Air Valve O-ring
12	I 7122	Air Valve Set

No.	Part No.	Description
17	I 7143	Main Lever (Trigger)
23	I 7177	Needle 0.4mm
24	I 7153	Needle Chucking Nut
28	I 6181	Lid
33	I 7222	Fluid Adjustment Valve
32	I 1651	Spanner (Wrench)

*See next Page for schematic*

**Available from:**

*Dixie Art Airbrush* • [www.dixieart.com](http://www.dixieart.com) • 800.783-2612



**EFFORTLESS  
COVERAGE**  
手順で手軽

**IWATA REVOLUTION AIRBRUSH SERIES**  
**M SERIES HP-M1 / HP-M2**

#	ITEM DESCRIPTION		PRICE CODE	ITEM #	HP-M1	HP-M2
1	Needle Cap	0.3	A	I7014	■	x
		0.4	A	I7015	x	■
2	Nozzle Cap	0.3	C	I7024	■	x
		0.4	C	I7025	x	■
4	Nozzle	0.3	E	I7044	■	x
		0.4	E	I7045	x	■
9	Needle Packing Screw Set(PTFE)		B	I7251	■	■
10	Air Valve O-ring		A	I1451	■	■
12	Air Valve Set		F	I7122	■	■

#	ITEM DESCRIPTION		PRICE CODE	ITEM #	HP-M1	HP-M2
17	Main Lever		C	I7143	■	■
23	Needle	0.3	E	I7176	■	x
		0.4	E	I7177	x	■
24	Needle Chucking nut		A	I7153	■	■
28	Lid		C	I7183	■	x
			C	I7184	x	■
33	Fluid Adjustmet Valve		F	I7222	■	■
32	Spanner		A	I7651	■	■

■ = yes X = no opt = optional

Available from: *Dixie Art Airbrush* • [www.dixieart.com](http://www.dixieart.com) • 800.783-2612