

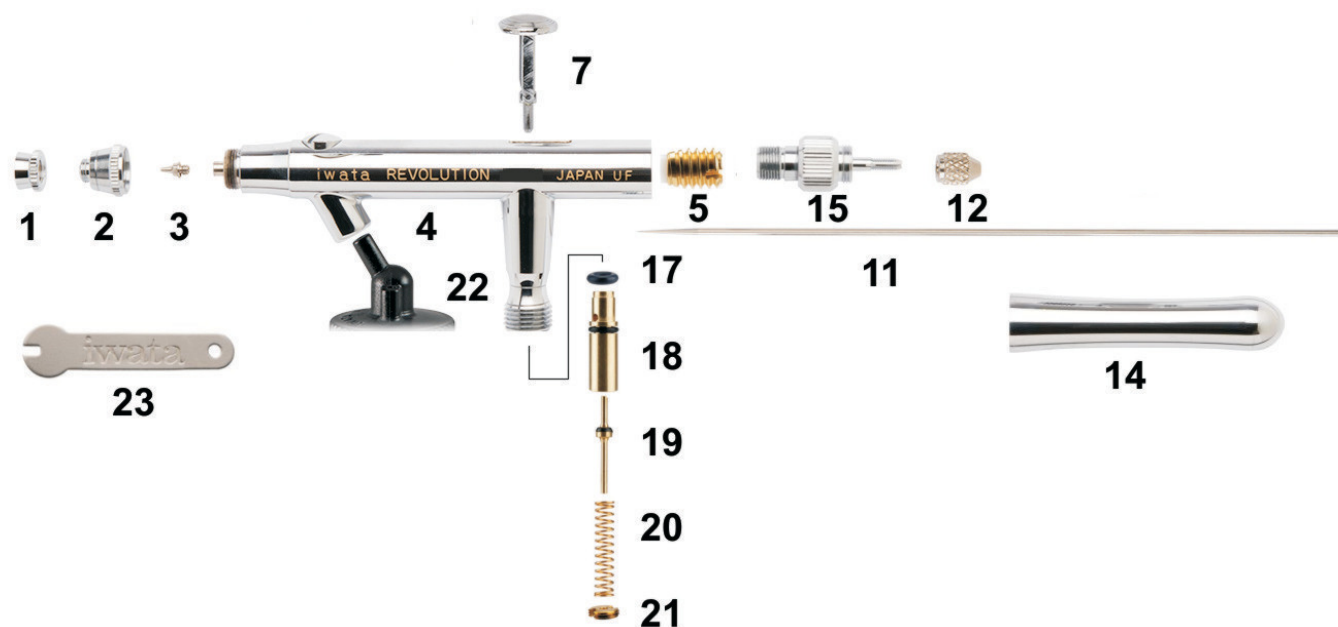
Revolution

EFFORTLESS COVERAGE™

IWATA REVOLUTION HP-SAR • 0.5 mm
Siphon Feed Single Action Airbrush

Illustrated Parts Listing

HP-SAR

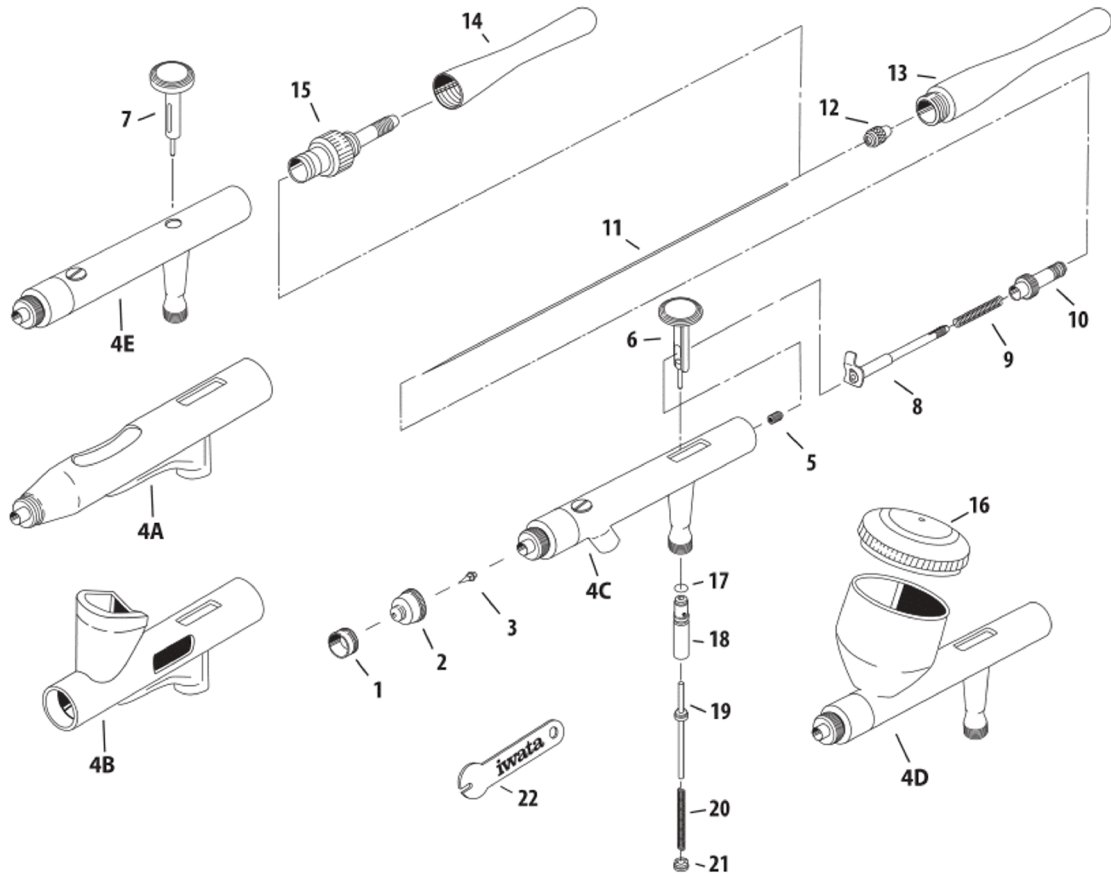


No.	Part No.	Description	No.	Part No.	Description
1	I 7011	Needle Cap 0.5MM (R5)	14	I 7192	Handle (Ergonomic)
2	I 7021	Head Cap 0.5MM (R5)	15	I 7221	Fluid Adjustment Knob
3	I 7041	Nozzle 0.5mm (R5)	17	I 5801	Packing - Air Valve (O-ring)
4	N/A	Body HP-SAR	18	I 6081	Air Valve Guide Body
5	I 7251	Needle Packing Screw W/O-ring 0.5mm (R5)	19	I 6091	Air Valve Piston
7	I 6122	Main Lever (Trigger)	20	I 0351	Air Valve Spring
11	I 6171	Needle 0.5mm (R5)	21	I 6111	Air Valve Guide Screw
12	I 1202	Needle Chucking Nut	22	See Iwata Bottle Assemblies	
			23	I 1651	Spanner (Wrench)

See next Page for schematic

Available from:

Dixie Art Airbrush • www.dixieart.com • 800.783-2612



#	ITEM DESCRIPTION	PRICE CODE	ITEM #	HP-AR	HP-BR	HP-BCR	HP-CR	HP-CR3	HP-SAR
1	Needle Cap	R3	A I7012	■	■	x	x	■	x
		R5	A I7011	x	x	■	■	x	■
2	Nozzle Cap	R3	C I7022	■	■	x	x	■	x
		R5	C I7021	x	x	■	■	x	■
3	Nozzle	R3	E I7042	■	■	x	x	■	x
		R5	E I7041	x	x	■	■	x	■
4A	HP-AR Body*	-	-	■	x	x	x	x	x
4B	HP-BR Body*	-	-	x	■	x	x	x	x
4C	HP-BCR Body*	-	-	x	x	■	x	x	x
4D	HP-CR / HP-CR3 Body*	-	-	x	x	x	■	■	x
4E	HP-SAR Body*	-	-	x	x	x	x	x	■
5	Needle Packing Screw Set (PTFE)	R3	B I1257	■	■	x	x	■	x
		R5	B I7251	x	x	■	■	x	■
6	Main Lever	C	I6121	■	■	■	■	■	x
7	Main Lever	C	I6122	x	x	x	x	x	■
8	Needle Chucking Guide w/Aux Lever	C	I1157	■	■	x	x	■	x
		C	I7151			■	■	x	x

#	ITEM DESCRIPTION	PRICE CODE	ITEM #	HP-AR	HP-BR	HP-BCR	HP-CR	HP-CR3	HP-SAR
9	Needle Spring	A	I1351	■	■	■	■	■	x
10	Spring Guide	A	I7701	■	■	■	■	■	x
11	Needle	R5	B I6171	x	x	■	■	x	■
		R3	B I0751	■	■	x	x	■	x
12	Needle Chucking Nut	A	I1202	■	■	■	■	■	■
13	Ergonomic Handle	D	I7191	■	■	■	■	■	x
	Preset Handle	D	I1552	OPT	OPT	OPT	OPT	OPT	x
	Preset Cutaway Handle	G	I1556	OPT	OPT	OPT	OPT	OPT	x
14	Ergonomic Handle		I7192	x	x	x	x	x	■
15	Fluid Adjustment Knob	D	I7221	x	x	x	x	x	■
16	Lid	C	I6181	x	x	x	■	■	x
17	Air Valve O-ring	B	I5801	■	■	■	■	■	■
18	Valve Guide Body	B	I6081	■	■	■	■	■	■
19	Air Valve	A	I6091	■	■	■	■	■	■
20	Air Valve Spring	A	I0351	■	■	■	■	■	■
21	Air Valve Guide Screw	B	I6111	■	■	■	■	■	■
22	Bottle 1 oz / 30 ml	-	A4701	x	x	■	x	x	■
23	Spanner	A	I1651	■	■	■	■	■	■

■ = yes X = no OPT = optional
 *Replacement parts not available.

Available from: *Dixie Art Airbrush* • www.dixieart.com • 800.783-2612