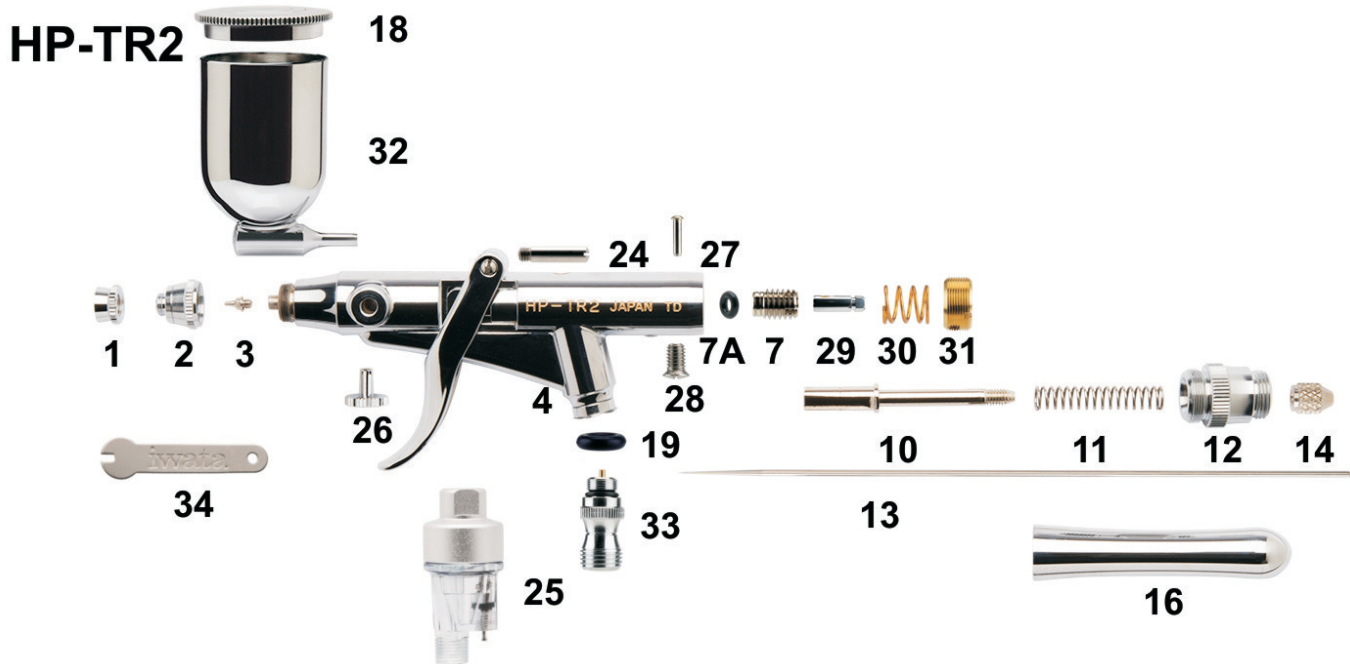


Revolution

EFFORTLESS COVERAGE™

IWATA REVOLUTION HP-TR2 • 0.5 mm Side Feed Dual Action Trigger Airbrush

Illustrated Parts Listing



No.	Part No.	Description
1	I 7011	Needle Cap
2	I 7021	Nozzle Cap 0.5MM (R5)
3	I 7041	Nozzle 0.5mm (R5)
4	N/A	Body HP-TR2
7	I 7252	Needle Packing Screw
7A	I 1502	Needle packing (PTFE)
9	I 7141	Trigger
10	I 7152	Needle Chucking Guide
11	I 7703	Needle Spring
12	I 7702	Spring Guide
13	I 7175	Needle 0.5mm (R5)
14	I 1202	Needle Chucking Nut
16	I 7192	Handle (Ergonomic)
18A	I 7182	Cup Lid 1/2oz
19	I 1451	Air Valve (O-ring)

No.	Part No.	Description
24	I 7142	Trigger Screw
25	FA450	Pistol-Grip Filter
26	I 0452	Blanking Cover
27	I 7131	Valve Piston
28	I 7312	Main Body Ring Screw
29	I 7301	Slide Cam
30	I 7302	Slide Cam Spring
31	I 7311	Main Body Ring
32A	I 0706	Gravity Side Cup 1/2oz
33	I 7121	Air Valve Set
34	I 1651	Spanner (Wrench)

OPTIONAL

18B	I 7181	Cup Lid 1/3oz
32B	I 7201	Gravity Side Cup 1/3oz

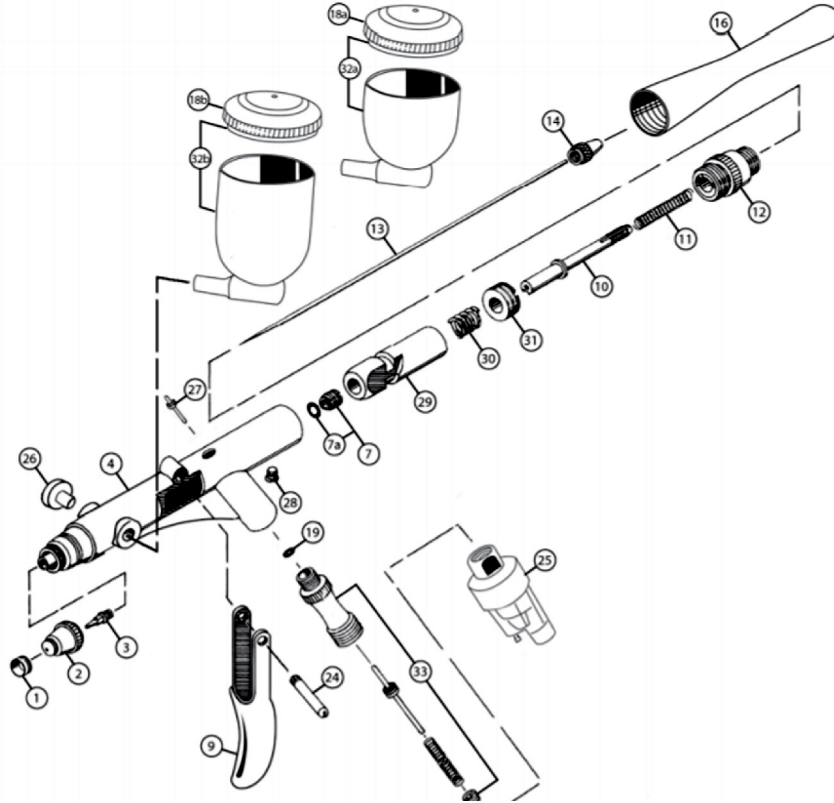
See next Page for schematic

Available from:

Dixie Art Airbrush • www.dixieart.com • 800.783-2612

EFFORTLESS
COVERAGE
手順で手軽

IWATA REVOLUTION TRIGGER AIRBRUSH SERIES HP-TR1 / HP-TR2



— IWATA REVOLUTION HP-TR1 | HP-TR2 —

#	ITEM DESCRIPTION	PRICE CODE	ITEM #	HP-TR1	HP-TR2	ALSO FITS
1	Needle Cap	A	I701 1	■	■	BCR, CR, SAR
2	Nozzle Cap	R3	C I702 2	■	x	AR, BR
		R5	C I702 1	x	■	BCR, CR, SAR
3	Nozzle	R3	C I704 2	■	x	AR, BR
		R5	C I704 1	x	■	BCR, CR, SAR
4	Body*	-	-	■	x	
7	Needle Packing Screw	C	I725 2	■	■	
7a	Needle Packing (PTFE)	A	I1502	■	■	
9	Trigger	I	I714 1	■	■	
10	Needle Chucking Guide	F	I715 2	■	■	
11	Needle Spring	A	I770 3	■	■	
12	Spring Guide	H	I770 2	■	■	
13	Needle	R3	C I717 4	■	x	
		R5	C I717 5	x	■	
14	Needle Chucking Nut	A	I120 2	■	■	All
16	Handle	D	I719 2	■	■	SAR

#	ITEM DESCRIPTION	PRICE CODE	ITEM #	HP-TR1	HP-TR2	ALSO FITS
18a	Cup Lid	C	I6181	■	opt	CR, CS, C, C+, CH, CM-C
18b	Cup Lid	F	I718 2	opt	■	TH
19	Air Valve O-ring	A	I145 1	■	■	HP, HP+, HI-LINE
24	Trigger Screw	C	I714 2	■	■	
25	Pistol-Grip Filter	F	F A450	■	■	All
26	Blanking Cover	A	I045 2	■	■	SBS, SB, SB+, CM-SB
27	Valve Piston	C	I713 1	■	■	
28	Main Body Ring Screw	A	I731 2	■	■	
29	Slide Cam	I	I730 1	■	■	
30	Slide Cam Spring	B	I730 2	■	■	
31	Main Body Ring	D	I731 1	■	■	
32a	Gravity Side Cup	1/3 oz	G I720 1	■	opt	SBS, SB, SB+, CM-SB
32b	Gravity Side Cup	1/2 oz	G I070 6	opt	■	SBS, SB, SB+, CM-SB
33	Air Valve Set	G	I712 1	■	■	
34	Spanner	A	I165 1	■	■	

■ = yes X = no OPT = optional
*Replacement parts not available.

Available from: *Dixie Art Airbrush* • www.dixieart.com • 800.783-2612