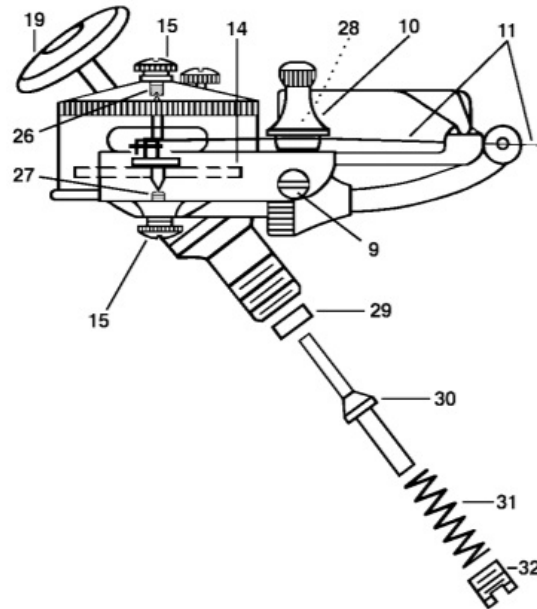
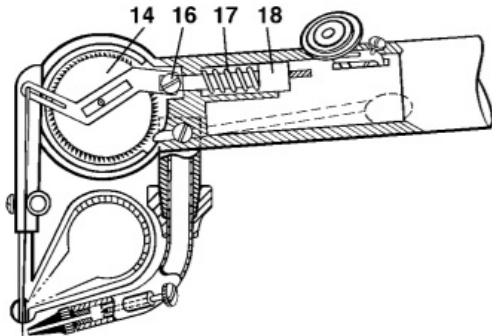
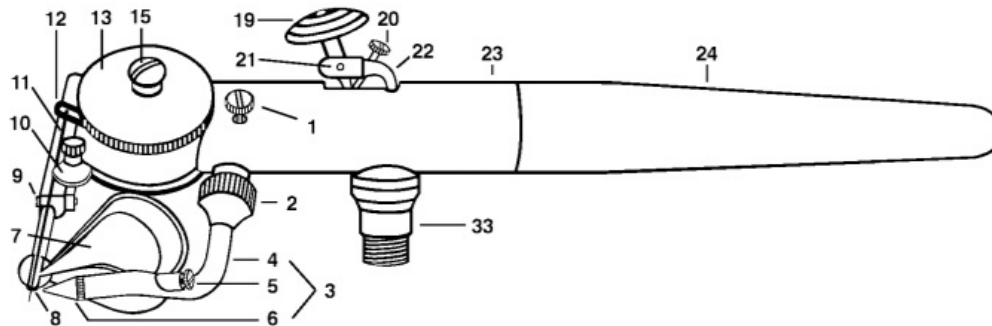


AB AIRBRUSH PARTS



If Parts are worn and aforementioned repairs are not proving helpful, Paasche suggests the purchase of replacement parts listed below. Any Parts not listed MUST be replaced at the Factory.

* Denotes Part to be Fitted at the Factory.
For further information contact Paasche Service Department.

NO.	PART NO.	DESCRIPTION
1.	A-140	Speed Regulator Screw
2.	A-139	Air Blast Tube Locknut
3.	A-173	Right Hand Air Blast Tube Assembly
	A-173LH	Left Hand Air Blast Tube Assembly
4.	*A-138	Right Hand Air Blast Tube
	*A-138LH	Left Hand Air Blast Tube
5.	A-146	Stipple Adjuster
6.	A-101	Air Blast Jet
7.	A-179	Right Hand Color Cup Assembly
	A-179LH	Left Hand Color Cup Assembly
8.	A-177	Right Hand Needle Bearing
	A-177LH	Left Hand Needle Bearing
9.	A-160	Color Cup Screw
10.	A-142	Needle Guide
11.	A-116	Needles (Dozen)
	A-116LH	Left Hand Needles (Dozen)
12.	A-107	Walking Arm
13.	*A-131	Right Hand Wheel Housing
	*A-131LH	Left Hand Wheel Housing
14.	*A-172	Power Wheel & Shaft Assembly
15.	A-114	Grease Cup
16.	A-106	Walking Arm Shaft (Screw)
17.	A-105	Walking Arm Spring
18.	A-104	Walking Arm Plunger
19.	A-121	Finger Lever and Button
20.	A-146	Lever Adjusting Screw (Old# A-60)
21.	A-58	Lever Pivot
22.	A-14	Lever Fork
23.	A-122	Right Hand Shell (Includes A-128)
	A-122LH	Left Hand Shell (Includes A-128)

SPECIAL NOTE: Periodically the Grease Cup (Item 15) should be removed and the Bearing checked for Grease - Apply if necessary.

NO.	PART NO.	DESCRIPTION
24.	F-143	Handle (Old Style A-161)
26.	A-133	Top Shaft Bearing
27.	A-154	Bottom Shaft Bearing
28.	A-143	Needle Guide Spring
29.	A-52	Valve Washer (Pack of 6)
30.	H-21A	Valve Plunger
31.	A-22	Valve Spring
32.	A-23A	Air Valve Nut
33.	A-128	Valve Casing

PART NO.	ACCESSORIES
A-34	Airbrush Hanger
A-64	Screw Driver
A-117	Tweezers
AB-CASE	Case

PART NO.	HOSE & ACCESSORIES
A-1/8-6	Air Hose W/ Couplings
A-1/8-6MT	Air Hose W/ MT Moisture Trap
AC-1/8	-1/4" Coupling
AC-20	1/8"-1/4"-40 Coupling
MT	Moisture Trap
HF-1/4	Valve Assembly