



## AEC Air Eraser

Steel Tip W/Carbide Insert

OPERATING INSTRUCTIONS & REPLACEMENT PARTS

**WARNING:** Read instructions for proper care in handling and operation. Always wear a Respirator and Goggles when using the AEC Air Eraser. Use in Well Ventilated Area to remove dust. Always read and follow Cautions and Warnings on abrasive material being sprayed. Secure airhose to Airbrush with V-62 Wrench for safety and to prevent air leaks. **Maximum Air Pressure 65 P.S.I.**



### APPLICATIONS:

The AEC Air Eraser is a versatile instrument that can erase color errors and act as an etching tool. It is used by hobbyists and manufacturers to clean jewelry and fine parts, remove discoloration, rust and corrosion, etch glass or cut monograms. It is used by lithographers to highlight half-tones and erase defects without marring the surface or leaving a smudge. It is used extensively by model railroaders for weathering railcars and accessories.

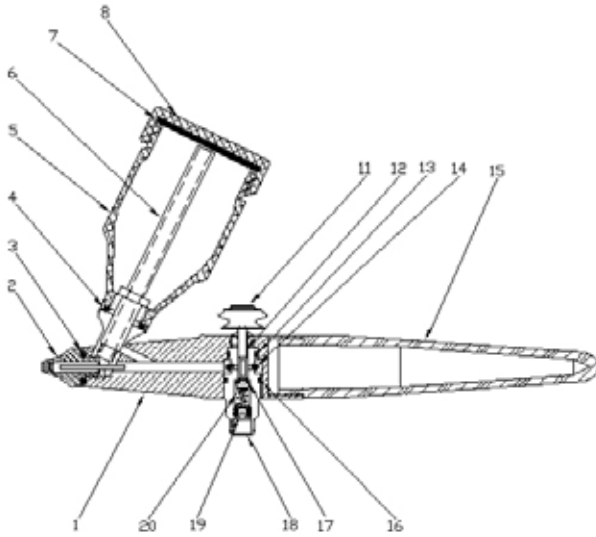
### OPERATION:

For general erasing, clean dry air at pressures of 30 to 45 p.s.i. may be used. To be sure of satisfactory performance, the MT - Moisture Trap or R-75 Regulator will remove, within their rated capacity, water, oil and other impurities from your source of air supply. Expect a slight trickle of abrasive to flow out after H-155 Button has been released. This is caused by air pressure in the cup being relieved.

1. Attach airhose coupling to AE-63 Valve Casing.
2. Unscrew AE-27 Cover.
3. Fill cup 3/4 full with clean dry AEX, or AE abrasive and replace AE-27 Cover on cup. Tighten cover securely.
4. To prevent leaks, do not get any abrasive on the cup threads.
5. Regulate air pressure for erasing on paper surfaces to approximately 30 p.s.i. Use a higher air pressure of 45 to 65 p.s.i. for metal, gold castings, plastic or glass work.
6. Hold the Air Eraser the way you would a pencil. Move the Air Eraser with the AEC-34 Tip about 1/8" to 1/2" above the work surface. Adjust to achieve results desired.
7. For work requiring fast, heavy abrasive cutting, use AEX Fast Cutting Abrasive and high air pressure. Hold tip of the Air Eraser very close to the working surface to cut faster. Hold at a distance for blending and broad coverage.

### DENTAL INFORMATION:

Indispensable in occlusal relationship analysis of gold casting. By dulling the high polish on the surface of inlays and crowns it is possible to identify minute occlusal contacts with their opposing teeth, without the discrepancy of any inter-occlusal thickness of material. The dull surface of a casting shows the markings of any tape, carbon or articulating paper with superior fidelity. When adjustments have been made, the surface can be dullled again and further analysis carried out.



NO.	PART NO.	DESCRIPTION	NO.	PART NO.	DESCRIPTION
1.	<b>AE-66</b>	Shell Assembly	12.	<b>AE-64</b>	Plunger
2.	<b>AEC-34</b>	Tip with Carbide Insert	13.	<b>TAL-22</b>	"O" Ring
3.	<b>AE-43</b>	"O" Ring	14.	<b>AE-68</b>	"O" Ring
4.	<b>AE-6</b>	"O" Ring	15.	<b>H-143</b>	Handle
5.	<b>AE-38</b>	Cup Disc.: Use AE 22 Cup Assembly	16.	<b>AE-69</b>	"O" Ring
6.	<b>AE-20</b>	Powder Tube Assembly	17.	<b>A-53</b>	"O" Ring (sold per dozen)
7.	<b>AE-31</b>	Gasket	18.	<b>AE-63</b>	Valve Casing
8.	<b>AE-27</b>	Cover Disc.: Use AE 22 Cup Assembly	19.	<b>A-23R</b>	Air Valve Nut
11.	<b>H-155</b>	Button	20.	<b>A-22</b>	Valve Spring

Up Dated: 04/2024

### AIR ERASER ABRASIVE COMPOUNDS:

- **AEX-6** 6 oz. (240 Grit) Aluminum Oxide
- **AEX-5-240** 5 lbs. (240 Grit) Aluminum Oxide
- **AEX-5-400** 5 lbs. (400 Grit) Aluminum Oxide
- **AEX-25** 25 lbs. (240 Grit) Aluminum Oxide

### EXTRA OPTIONS:

1. **A-34** Airbrush Hanger
2. **MT** MT Moisture Trap
3. **A-1/8-8** 8' Braided Air Hose w/ Cplgs.
4. **2DS** Softseal Disposable Respirator

**CAUTION:** It is recommended that a **2DS** Respirator be worn or Ventilation be used to remove excess abrasive.

Available from: Dixie Airbrush • [www.dixieart.com](http://www.dixieart.com) • 504.236.2163

### D220R AIR COMPRESSOR (1/6 H.P.), with Switch & R-75 Regulator



### DA400R AIR COMPRESSOR (1/6 H.P.) with R-75 Regulator



Printed in the USA