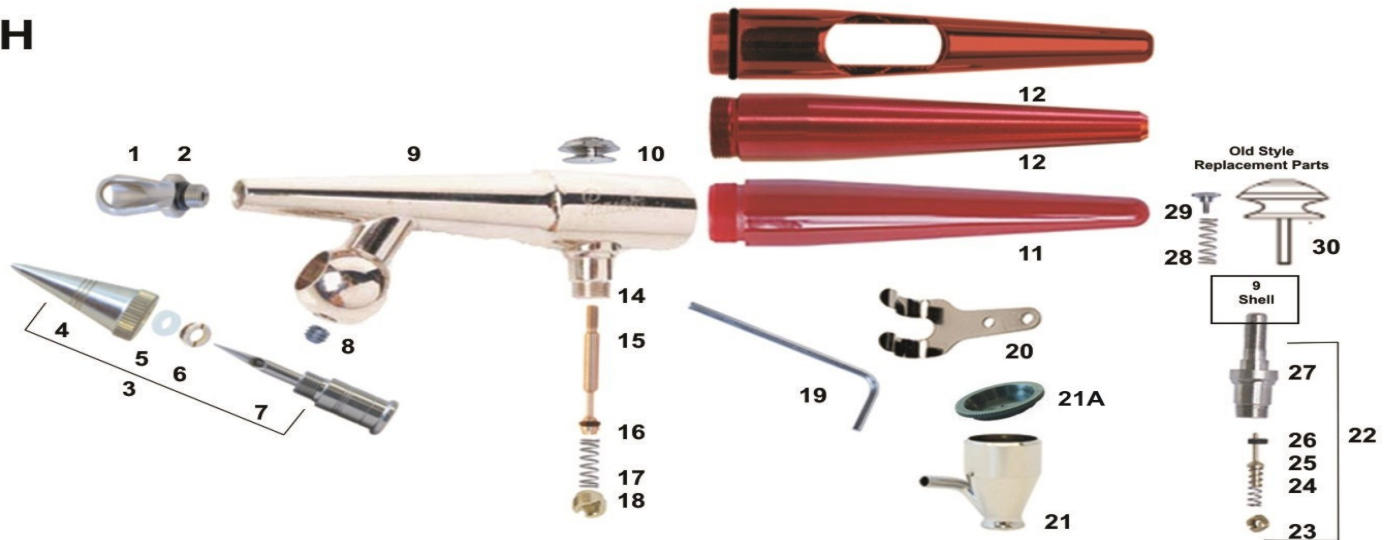


## Paasche H#3 Series Airbrush Siphon Feed Single Action Illustrated Parts Listing

H



Part No.	Description
1	HC-1-3 Aircap w/O-ring #1,#3
2	3A4 O-ring (pack of 6)
3	H-3 Color Adjusting Part(4-7) #3
4	HT-3 Tip #3
5	H-185 Packing
6	H-184 Packing Nut
7	HN-1-3 Needle #1, #3
8	H-153 Set Screw
9	H-150N Shell (w/H-128A Valve Casing)
10	H-155 Finger Button
11	H-143 Handle (Nylon)
14	H-128A Valve Casing
15	H-192A Plunger w/A53
16	A-53 Valve Washer (Pack of 6)
17	A-22 Valve Spring
18	A-23R Air Valve Nut
19	F-186 Wrench
20	A-34 Hanger
21	H-1/4OZ 1/4 oz Color Cup
21A	HVL1/7 Color Cup Cover

### Optional

12	HVL-200 Metal Handle (Aluminum)
12	HVL-202 Metal Handle w/Cut Out (Aluminum)
N/A	<a href="#">Uses H Series Bottle Assemblies</a>

### Old Style Parts

Part No.	Description
22	H175A Air Valve Assemble
23	A-23R Air Valve Nut
24	A-22 Valve Spring
25	H-21A Valve Plunger
26	A-52 Value Was
27	H-128A Valve Casing
28	A-143 Needle Guide Spring
29	H-156 Stipple Adjuster
30	H-157 Finger Lever Assemble

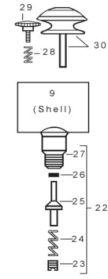
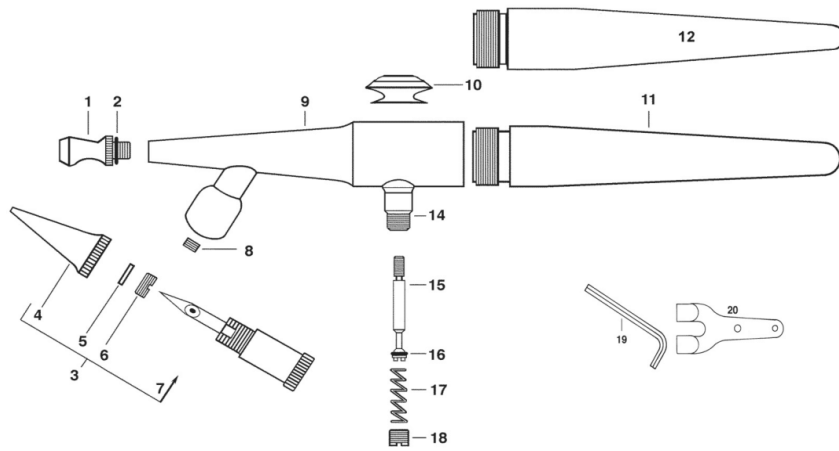
### To Change H#3 to H#1 change the following Parts

4	HT-1	Tip #1
or		
3	H-1	Color Adjusting Part(4-7) #1

### To Change H#3 to H#5 change the following Parts

1	HC-5	Aircap w/O-ring #5
4	HT-5	Tip #5
7	HN-5	Needle #5
or		
3	H-5	Color Adjusting Part(4-7) #5

See next Page for schematic



Old Style Replacement Parts

**H - AIRBRUSH MODEL REPLACEMENT PARTS**

- | #   | Part No. | Description                        |
|-----|----------|------------------------------------|
| 1.  | HC-1-3,5 | Aircap w/ O-ring (Select Size)     |
| 2.  | 3A-4     | "O" Ring (Pack of 6)               |
| 3.  | H-1,3,5  | Color Adjusting Part (Select Size) |
| 4.  | HT-1,3,5 | Tip (Select Size)                  |
| 5.  | H-185    | Packing                            |
| 6.  | H-184    | Packing Nut                        |
| 7.  | HN-1-3,5 | Needle (Select Size)               |
| 8.  | H-153    | Set Screw                          |
| 9.  | H-150N   | Shell (Includes H-128A)            |
| 10. | H-155    | Finger Button                      |
| 11. | H-143    | Handle (Nylon)                     |
| 12. | HVL-200  | Metal Handle (Aluminum - optional) |
| 14. | H-128A   | Valve Casing                       |
| 15. | H-192A   | Valve Plunger w/ A-53              |
| 16. | A-53     | Valve Washer (Pack of 6)           |
| 17. | A-22     | Valve Spring                       |
| 18. | A-23R    | Air Valve Nut                      |
| 19. | F-186    | Wrench                             |
| 20. | A-34     | Hanger                             |

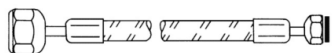


**H - Old Style Replacement Parts**

- |     |        |                          |
|-----|--------|--------------------------|
| 22. | H-175A | Air Valve Assembly       |
| 23. | A-23R  | Air Valve Nut            |
| 24. | A-22   | Valve Spring             |
| 25. | H-21A  | Valve Plunger            |
| 26. | A-52   | Valve Washer (Pack of 6) |
| 27. | H-128A | Valve Casing             |
| 28. | A-143  | Needle Guide Spring      |
| 29. | H-156  | Stipple Adjuster         |
| 30. | H-157  | Finger Lever Assembly    |



The BA bottle assemblies are a new cover configuration and all use plastic bottle. The 2P and 4P are narrow neck and work with most airbrush paint bottles like Createx and Paasche



A-1/8-4, 6, 8, 10, 15, 20, 25 or 50  
Braided Air Hose with couplings (Select Length)  
(3A-4 -- O-ring for airbrush coupling)

**WARNING:** Spray materials may be harmful if inhaled or allowed to come into contact with the skin or eyes. Consult the product label and Material Safety Data Sheet supplied for the spray material. Follow all safety precautions.  
**CAUTION:** Well Ventilated Area Required to remove fumes, dust or overspray. **Maximum Air Pressure 75 P.S.I.**

For Multi-Language Manuals Go To: [www.paascheairbrush.com](http://www.paascheairbrush.com)