

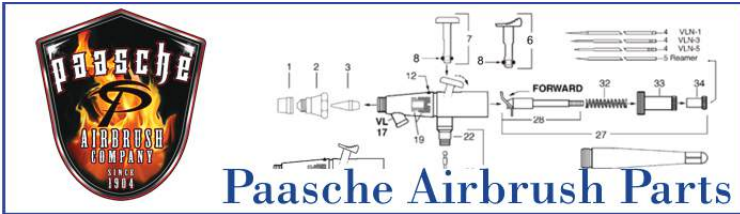
Dixie Airbrush

EQUIPMENT & SUPPLIES

AUGUST 2024 Edition



Paasche Airbrushes



Paasche Airbrush Parts



Paasche Compressors



Paasche Accessories



AIRBRUSH SUPPLIES

(504) 236-2163

Createx Airbrush Colors



Createx Airbrush Colors are most trusted brand of airbrush paints worldwide. Made with lightfast pigments and a supple acrylic resin perfect for fabric and textiles. Createx Airbrush Colors are designed for permanent results with a soft-hand feel on fabrics. Colors cure with the assistance of heat after drying. For maximum permanence, a top-coat should be applied over the paint after curing. (5601 Transparent Base is recommended top binder for fabrics)

Transparent Colors

Cover semi-opaque sprayed direct from the bottle. To increase transparency and for use with smaller tip-sizes and lower psi settings. thin with 4011 Reducer. To extend color mix with 5601 transparent base

Opaque Colors

Made for coverage. Colors cover opaque in 2 – 3 coats. Mix with 4030 Balancing Clear for improved adhesion & durability onto plastics and other hard surfaces

Fluorescent Colors

are NOT lightfast. Best applied over a color-keyed base like Auto Borne Sealer

Pearl & Iridescent Colors

Vivid colors with a shimmering effect especially in direct light. Cover semi-opaque. Best applied over white, grey or black base.

Important: Please specify which size you want by placing an "04", "16", "32" or "128" at the end of the order number. For example, AB 521204 would be a 4 oz. bottle of Opaque White

Pearl Colors Continued

| Order # | Color Name |
|---------|------------------|
| AB 5301 | Pearl Purple |
| AB 5302 | Pearl Magenta |
| AB 5303 | Pearl Turquoise |
| AB 5304 | Pearl Blue |
| AB 5305 | Pearl Green |
| AB 5306 | Pearl Copper |
| AB 5307 | Pearl Satin Gold |
| AB 5308 | Pearl Silver |
| AB 5309 | Pearl Red |
| AB 5310 | Pearl White |
| AB 5311 | Pearl Pineapple |
| AB 5312 | Pearl Tangerine |
| AB 5313 | Pearl Lime |
| AB 5314 | Pearl Plum |
| AB 5315 | Pearl Black |
| AB 5316 | Pearl Platinum |
| AB 5317 | Pearl Lime Ice |

Iridescent Colors

Best sprayed with an airbrush tip-size of 0.5mm at 35 – 45+ psi. Thin with 4011 Reducer 10% to 30% depending upon the airbrush tip-size, color type and technique. Iridescent Colors have a shift from a lighter hue on direct views to a dark hue on side-cast views.

| Size | Retail | Sale |
|--------|-------------------|---------------|
| 8 oz | 23.25 | 17.65 |
| 128 oz | 220.49 | 167.00 |

| Order # | Color Name |
|---------|--------------------------|
| AB 5501 | Iridescent Red |
| AB 5502 | Iridescent Scarlet |
| AB 5503 | Iridescent Yellow |
| AB 5504 | Iridescent Turquoise |
| AB 5505 | Iridescent Electric Blue |
| AB 5506 | Iridescent Violet |
| AB 5507 | Iridescent Green |
| AB 5508 | Iridescent Fuchsia |

Pricing for Transparent, Opaque, Fluorescent

| Size | Retail | Sale |
|--------|-------------------|---------------|
| 8 oz | 15.94 | 12.10 |
| 16 oz | 29.65 | 22.00 |
| 32 oz | 51.33 | 39.00 |
| 128 oz | 150.40 | 114.00 |

Opaque Colors

Best sprayed with an airbrush tip-size 0.5mm at 35 – 45+ psi. Thin with 4011 Reducer 10% to 30% depending upon the airbrush tip-size, color type and technique.

| Order # | Color Name |
|---------|------------------|
| AB 5201 | Opaque Blue |
| AB 5202 | Opaque Purple |
| AB 5203 | Opaque Lilac |
| AB 5204 | Opaque Yellow |
| AB 5205 | Opaque Lt. Green |
| AB 5206 | Opaque Aqua |
| AB 5207 | Opaque Sky Blue |
| AB 5208 | Opaque Coral |
| AB 5210 | Opaque Red |
| AB 5211 | Opaque Black |
| AB 5212 | Opaque White |

Transparent Colors

Best sprayed with airbrush tip-sizes 0.3mm to 0.5mm at 25 – 40+ ps Thin with 4011 Reducer 10% to 30% depending upon the airbrush tip-size, color type and technique.

| Order # | Color Name |
|---------|------------------|
| AB 5102 | Violet |
| AB 5103 | Red Violet |
| AB 5105 | Caribbean Blue |
| AB 5106 | Brite Blue |
| AB 5107 | Ultramarine Blue |
| AB 5108 | Deep Blue |
| AB 5109 | Brite Green |
| AB 5110 | Forest Green |
| AB 5111 | Aqua |
| AB 5112 | Turquoise |
| AB 5113 | Sunrise Yellow |
| AB 5114 | Brite Yellow |
| AB 5115 | Leaf Green |
| AB 5116 | Tropical Green |
| AB 5117 | Brite Red |
| AB 5118 | Sunset Red |
| AB 5119 | Orange |
| AB 5121 | Flamingo Pink |
| AB 5122 | Fuchsia |
| AB 5123 | Burgundy |
| AB 5124 | Deep Red |
| AB 5125 | Peach |
| AB 5126 | Sand |
| AB 5127 | Light Brown |
| AB 5128 | Dark Brown |
| AB 5129 | Medium Gray |
| AB 5131 | Tinting White |
| AB 5132 | Tinting Black |
| AB 5133 | Canary Yellow |
| AB 5134 | Maui Blue |
| AB 5135 | Purple |
| AB 5136 | Red Oxide |
| AB 5137 | Crimson |
| AB 5138 | Carmine |

Fluorescent Colors

Best sprayed with airbrush tip-sizes 0.3mm to 0.5mm at 25 – 40+ psi. Thin with 4011 Reducer 10% to 30% depending upon the airbrush tip-size, color type and technique.

| Order # | Color Name |
|---------|-----------------------|
| AB 5401 | Fluorescent Violet |
| AB 5402 | Fluorescent Raspberry |
| AB 5403 | Fluorescent Blue |
| AB 5404 | Fluorescent Green |
| AB 5405 | Fluorescent Yellow |
| AB 5406 | Fluorescent Magenta |
| AB 5407 | Fluorescent Hot Pink |
| AB 5408 | Fluorescent Red |
| AB 5409 | Fluorescent Orange |
| AB 5410 | Fluorescent Sunburst |

Pearl Colors

Best sprayed with an airbrush tip-size of 0.5mm at 35 – 45+ psi Thin with 4011 Reducer 10% to 30% depending upon the airbrush tip-size, color type and technique.

| Size | Retail | Sale |
|--------|-------------------|---------------|
| 8 oz | 15.94 | 12.10 |
| 16 oz | 30.51 | 22.69 |
| 128 oz | 167.76 | 127.50 |

Createx Airbrush Colors Sets

Transparent/Opaque Set

Transparent Brite Red, Brite Yellow, Brite Blue, Brite Green, Opaque Black & White

| Order# | Retail | Sale |
|------------|------------------|--------------|
| AB 5801-00 | 30.26 | 22.50 |

Opaque Set

Opaque Red, Blue, Light Green, Yellow, Black, White.

| Order# | Retail | Sale |
|------------|------------------|--------------|
| AB 5803-00 | 30.26 | 22.50 |

Fluorescent Set

Fluorescent Hot Pink, Orange, Violet, Green, Yellow, Raspberry.

| Order# | Retail | Sale |
|------------|------------------|--------------|
| AB 5802-00 | 30.26 | 22.50 |

Pearl Set

Pearl White, Gold, Silver, Blue, Green, Copper.

| Order# | Retail | Sale |
|------------|------------------|--------------|
| AB 5804-00 | 30.26 | 22.50 |

Transparent Tropical Set

Transparent Maui Blue, Canary Yellow, Tropical Green, Sand, Flamingo Pink, Brite Red.

| Order# | Retail | Sale |
|------------|------------------|--------------|
| AB 5810-00 | 30.26 | 22.50 |

Pearl Set #2

Pearl Lime, Pineapple, Plum, Tangerine, Magenta and Red

| Order# | Retail | Sale |
|------------|------------------|--------------|
| AB 5811-00 | 30.26 | 22.50 |

18 Color 2 oz Set

Transparent Orange, Brite Yellow, Brite Red, Brite Blue, Brite Green, Caribbean Blue, Violet, Sunset Red, Turquoise, Fuchsia, Peach, Forest Green, Dark Brown, Ultra Blue, Sunrise Yellow, Medium Grey, and Opaque Black & Opaque White.

| Order# | Retail | Sale |
|------------|------------------|--------------|
| AB 5813-01 | 91.59 | 67.95 |

12 Color 2 oz Set

Transparent Violet, Brite Blue, Brite Green, Brite Yellow, Brite Red, Orange, ark Brown, Fluorescent Hot Pink, Pearl Satin Gold, Opaque Black, Opaque White, Airbrush Cleaner.

| Order# | Retail | Sale |
|------------|------------------|--------------|
| AB 5814-01 | 61.42 | 45.50 |

Ken Lind Cool Set

8 2 oz Colors: Maui Blue, Caribbean Blue, Brite Blue, Deep Blue, Violet, Fluorescent Yellow, Opaque Black and Opaque White.

| Order# | Retail | Sale |
|------------|------------------|--------------|
| AB 5815-00 | 41.16 | 30.50 |

Ken Lind Warm Set

8 2 oz Colors: Brite Red, Fluorescent Pink, Red Violet, Burgundy, Fluorescent Orange, Brite Yellow, Opaque Black and Opaque White.

| Order# | Retail | Sale |
|------------|------------------|--------------|
| AB 5816-00 | 41.16 | 30.50 |

Fluorescent Color Set

10 2 oz Colors: All 10 Fluorescent Colors.

| Order# | Retail | Sale |
|------------|------------------|--------------|
| AB 5817-00 | 50.27 | 37.50 |

Available on Request: Createx Airbrush Colors Safety Data Sheet and Technical Data Sheets (User Guide)



Wicked Colors

Wicked Colors are multi-surface airbrush paints suitable for applications on hard /non-porous surfaces (automotive, plastics, wood) and soft / porous surfaces (textiles, drywall, canvass etc)
 They cover well out-of-the-bottle and their spray performance, transparency and adhesive properties can be enhanced with a variety of additives offered (4011 Reducer, 4013 Reducer, 4030 Balancing Clear, 4050 UVLS Gloss Clear) See Wicked Technical Date Sheet for addition details on Mixing and Spraying.
 They are universally compatible with all types of primers, paints and clears.
 Wicked Color now include the Former AutoAir Colors. [\[for cross reference list of AutoAir to Wicked Colors request copy\]](#)

Wicked Standard Colors
 Standard graphic colors that spray semi-opaque out-of-the-bottle Dry to a semi-gloss finish use 4011 Reducer for increased transparency and improved flow.

Wicked Detail Colors
 Compared to Standard Wicked Colors, Wicked Detail Colors are more transparent colors out of the bottle and less viscous. They dry to a matte finish and perfect for detailed graphic illustrations

Wicked Opaque Colors
 Solid colors with excellent coverage and for use as base color.

Metallic
 Metallic mica colors, aluminum flake and pigmented mica that cover semi-opaque.. Made with lightfast, automotive-grade pigments and exterior-grade acrylic resin.

Wicked Pearlized Colors
 Mother of Pearl - lightfast pigments

Wicked Fluorescent Colors
 The Fluorescent Colors are NOT lightfast. For best long-term color, apply fluorescent over a color-keyed base such as AutoBorne Sealers

Wicked Glow Base & Glow-in-the-Dark
 W210 UV Glow Base is a transparent UV effect solution for applying over colors or mixing colors for enhanced effect under UV light. Best used over, vivid colors such as Wicked Fluorescent Colors. W 210 Glow-in-the-Dark only produces effect under UV / black-light. For colors that glow in the dark after being "charged" under direct light, use W212 Wicked Glow in the Dark

Aluminum Bases
 Actual aluminum with unique properties separate from other Wicked Colors. They're highly reflective, making them an ideal base for candy colors. They also work excellent as a stand alone silver finish; incredibly brilliant, show quality finish.

4104 Quicksilver and Gold Chrome
 It is 6061-T6 Aluminum, a highly reflective, aircraft-grade aluminum.
 Do not reduce. Spray directly from the bottle around 20 psi inlet.
 Silver and Gold. Each color has incredible adhesion, capable of being applied direct to many substrates without the need for an adhesion promoter
 Apply directly to glossy, non-sanded surfaces such as powder-coat, urethane finishes, plastics, and any substrate.
 Apply over a gloss black or white non-sanded surface, in very, very light coats
 Apply QuickSilver over Gloss Black for a Chrome like finish.
 Apply Gold Chrome over a Gloss White base for a vivid, billet gold.
 Apply Gold Chrome over a Gloss Black base for a deep, orange-shade gold.

Hi-Lite Interference Accent pearl-flakes for subtle pearl effects in direct light. Hi-Lites are best applied in sparing amounts as a light pearl-coat applied over a base or mid-coat. Hi - Lites effects look similar to the pearlescent effect of fish scale (they're perfect for custom fish lures).

Hot Rod Sparkle Large Pearl flakes in a transparent base. Apply as a pearl mid-coat over a base color or directly mix with other Wicked Colors to create unique custom color creations.

Cosmic Sparkle
 Pearl flakes in a transparent base. Apply as a pearl mid-coat over a base color or directly mix with other Wicked Colors to create unique custom color creations. Cosmic Sparkle are smaller pearl-flakes which are the same found in many O.E.M. Automotive colors.

Flair Color-Shift
 Best applied over 6002 AutoBorne Sealer Black or a dark base. Soft flowing transition from one color into another. Example: Flair Tint Violet travels from lilac to silver to blue then into green.

Important: Please specify which size you want by placing an "04", "16", "32" or "128" at the end of the order number. For example, AB W00402 would be a 2 oz. bottle of Standard White

Pricing for Standard, Detail Colors, Fluorescent and Opaque Colors

| Size | Retail | Sale |
|--------|--------|--------|
| 16 oz | 25.75 | 18.95 |
| 32 oz | 43.04 | 33.95 |
| 128 oz | 153.95 | 123.00 |

Standard Colors

| Order # | Color Name |
|---------|---------------|
| AB W001 | White |
| AB W002 | Black |
| AB W003 | Yellow |
| AB W004 | Orange |
| AB W005 | Red |
| AB W006 | Violet |
| AB W007 | Blue |
| AB W008 | Deep Blue |
| AB W009 | Pthalo Green |
| AB W010 | Brown |
| AB W011 | Golden Yellow |
| AB W012 | Red Oxide |
| AB W013 | Laguna Blue |
| AB W014 | Grey |
| AB W015 | Crimson |
| AB W016 | Apple Green |

Gloss Colors

| Order # | Color Name |
|---------|-------------|
| AB W017 | Gloss White |
| AB W018 | Gloss Black |

Wicked Fluorescent Colors

| Order # | Color Name |
|---------|-----------------------|
| AB W019 | Fluorescent Aqua |
| AB W020 | Fluorescent Purple |
| AB W021 | Fluorescent Raspberry |
| AB W022 | Fluorescent Red |
| AB W023 | Fluorescent Green |
| AB W024 | Fluorescent Yellow |
| AB W025 | Fluorescent Sunburst |
| AB W026 | Fluorescent Pink |
| AB W027 | Fluorescent Orange |
| AB W028 | Fluorescent Blue |
| AB W029 | Fluorescent Magenta |

Wicked Detail Colors

| Order # | Color Name |
|---------|----------------------|
| AB W050 | Detail White |
| AB W051 | Detail Black |
| AB W052 | Detail Yellow |
| AB W053 | Detail Scarlet |
| AB W054 | Detail Orange |
| AB W055 | Detail Violet |
| AB W056 | Detail Red Violet |
| AB W057 | Detail Blue Violet |
| AB W058 | Detail Blue Green |
| AB W059 | Detail Moss Green |
| AB W060 | Detail Verdian |
| AB W061 | Detail Cobalt Blue |
| AB W062 | Detail Cerulean Blue |
| AB W063 | Detail Carmine |
| AB W064 | Detail Magenta |
| AB W065 | Detail Yellow Ochre |
| AB W066 | Detail Burnt Orange |
| AB W067 | Detail Raw Sienna |

Wicked Detail Colors Continued

| | |
|---------|----------------------|
| AB W068 | Detail Raw Umber |
| AB W069 | Detail Burnt Umber |
| AB W070 | Detail Sepia |
| AB W071 | Detail Paynes Grey |
| AB W072 | Detail Smoke Black |
| AB W073 | Detail Driscoll Tone |
| AB W074 | Detail Burnt Sienna |
| AB W075 | Detail Black-Magenta |
| AB W076 | Detail Fleshtone |

Wicked Opaque Colors

| Order # | Color Name |
|---------|-------------------------|
| AB W030 | White |
| AB W031 | Jet Black |
| AB W080 | Hansa Yellow |
| AB W081 | Bismuth Vanadate Yellow |
| AB W082 | Pyrrrole Orange |
| AB W083 | Pthalo Red |
| AB W084 | Pthalo Green |
| AB W085 | Limelight Green |
| AB W086 | Phthalo Blue |
| AB W087 | Daylight Blue |
| AB W088 | Dioxazine Purple |
| AB W089 | Cream |
| AB W090 | Red Oxide |
| AB W091 | Yellow Oxide |
| AB W092 | Brown Oxide |
| AB W093 | Black Oxide |
| AB W094 | Brunt Sienna |
| AB W095 | Raw Sienna |
| AB W096 | Burnt Umber |
| AB W097 | Raw Umber |
| AB W098 | Flat Black |
| AB W099 | Teal |
| AB W109 | Titan Bluff |

Wicked UV Glow Base

| Size | Retail | Sale |
|--------|--------|--------|
| 8 oz | 26.68 | 19.65 |
| 16 oz | 45.98 | 36.00 |
| 32 oz | 93.84 | 75.00 |
| 128 oz | 275.89 | 220.00 |

Order # Color Name
 AB W210 UV Glow Base

Wicked Glow-In-The-Dark

| Size | Retail | Sale |
|--------|--------|--------|
| 8 oz | 25.89 | 19.15 |
| 16 oz | 44.65 | 34.80 |
| 32 oz | 91.08 | 72.85 |
| 128 oz | 267.87 | 214.00 |

Order # Color Name
 AB W212 Wicked Glow In The Dark

Wicked Pearl Colors

| Size | Retail | Sale |
|--------|--------|--------|
| 16 oz | 32.52 | 24.00 |
| 32 oz | 65.32 | 52.00 |
| 128 oz | 259.74 | 207.00 |

Order # Color Name
 AB W300 Pearl Black
 AB W301 Pearl White
 AB W302 Pearl Yellow
 AB W303 Pearl Red
 AB W304 Pearl Blue
 AB W305 Pearl Lime Green
 AB W306 Pearl Orange



Wicked Colors

Wicked Pearl Colors Continued

| | |
|--------------|-----------------------|
| AB W307..... | Pearl Plum |
| AB W308..... | Pearl Green |
| AB W309..... | Pearl Teal |
| AB W310..... | Pearl Magenta |
| AB W311..... | Pearl Purple |
| AB W312..... | Pearl Silver |
| AB W313..... | Pearl Gold |
| AB W381..... | Pearl Brite Blue |
| AB W382..... | Pearl Electric Blue |
| AB W383..... | Pearl Electric Purple |

Wicked Aluminum

| | Retail | Sale |
|--------------|--------|--------|
| 16 oz | 32.52 | 24.00 |
| 32 oz | 65.32 | 52.00 |
| 128 oz | 259.74 | 207.00 |

| Order # | Color Name |
|--------------|-----------------|
| AB W354..... | Aluminum Medium |
| AB W355..... | Aluminum Fine |
| AB W356..... | Aluminum Coarse |

Wicked Quicksilver & Gold Chrome

| | Retail | Sale |
|-------------|--------|--------|
| 16 oz | 100.98 | 79.95 |
| 32 oz | 194.39 | 155.50 |

| Order # | Color Name |
|--------------|-------------|
| AB W357..... | Quicksilver |
| AB W358..... | Gold Chrome |

Wicked Metallic Colors

| | Retail | Sale |
|--------------|--------|--------|
| 16 oz | 32.52 | 24.00 |
| 32 oz | 65.32 | 52.00 |
| 128 oz | 259.74 | 207.00 |

| Order # | Color Name |
|--------------|-------------------------|
| AB W350..... | Metallic Gold |
| AB W351..... | Metallic Silver |
| AB W352..... | Metallic Platinum |
| AB W353..... | Metallic Fastback Green |
| AB W359..... | Metallic Charcoal |
| AB W360..... | Metallic White (Fine) |
| AB W361..... | Metallic White (Coarse) |
| AB W362..... | Metallic Bronze |
| AB W363..... | Metallic Copper |
| AB W364..... | Metallic Blue Silver |
| AB W365..... | Metallic Burnt Orange |
| AB W366..... | Metallic Midnight Blue |
| AB W367..... | Metallic Elegance |
| AB W368..... | Metallic Charcoal-Viola |
| AB W369..... | Metallic Pewter |
| AB W370..... | Metallic Light Brown |
| AB W371..... | Metallic Dark Brown |
| AB W372..... | Metallic Rose |

Available on Request: Createx Wicked Colors Safety Data Sheet and Technical Data Sheets (User Guide)

Wicked Metallic Actress Gold

| | Retail | Sale |
|--------------|--------|--------|
| 16 oz | 74.87 | 55.40 |
| 32 oz | 142.93 | 114.20 |
| 128 oz | 519.75 | 415.00 |

| Order # | Color Name |
|--------------|-----------------------|
| AB W373..... | Metallic Actress Gold |

Wicked Hi-Lite Colors

| | Retail | Sale |
|--------------|--------|--------|
| 16 oz | 32.52 | 24.00 |
| 32 oz | 65.32 | 52.00 |
| 128 oz | 259.74 | 207.00 |

| Order # | Color Name |
|--------------|----------------|
| AB W400..... | Hi-Lite Gold |
| AB W401..... | Hi-Lite Orange |
| AB W402..... | Hi-Lite Red |
| AB W403..... | Hi-Lite Green |
| AB W404..... | Hi-Lite Blue |
| AB W405..... | Hi-Lite Purple |

Wicked Hot Rod Sparkle Colors

| | Retail | Sale |
|--------------|--------|--------|
| 16 oz | 80.94 | 59.90 |
| 32 oz | 157.06 | 125.50 |
| 128 oz | 596.05 | 475.00 |

| Order # | Color Name |
|-----------|--------------------------|
| W420..... | Hot Rod Sparkle White |
| W421..... | Hot Rod Sparkle Spectrum |
| W422..... | Hot Rod Sparkle Gold |
| W423..... | Hot Rod Sparkle Blue |
| W424..... | Hot Rod Sparkle Green |
| W425..... | Hot Rod Sparkle Red |
| W426..... | Hot Rod Sparkle Purple |

Wicked Cosmic Sparkle Colors

| Size | Retail | Sale |
|--------------|--------|--------|
| 16 oz | 77.08 | 57.00 |
| 32 oz | 149.58 | 119.50 |
| 128 oz | 567.67 | 445.00 |

| Order # | Color Name |
|--------------|------------------------|
| AB W440..... | Cosmic Sparkle Silver |
| AB W441..... | Cosmic Sparkle Gold |
| AB W442..... | Cosmic Sparkle Red |
| AB W443..... | Cosmic Sparkle Copper |
| AB W444..... | Cosmic Sparkle Blue |
| AB W445..... | Cosmic Sparkle Green |
| AB W446..... | Cosmic Spar Autumn Red |

Wicked Flair Color

| | Retail | Sale |
|--------------|--------|--------|
| 16 oz | 85.41 | 76.30 |
| 32 oz | 162.11 | 145.00 |
| 128 oz | 617.56 | 545.00 |

| Order # | Color Name |
|--------------|--------------------------|
| AB W450..... | Wicked Flair Tint Violet |
| AB W451..... | Wicked Flair Teal/Purple |
| AB W452..... | Flair Blue/Copper |
| AB W454..... | Flair Blue/Violet |
| AB W455..... | Flair Blue/Magenta |

Wicked Flair Color Continued

| | |
|--------------|----------------------|
| AB W456..... | Flair Fuchsia/Gold |
| AB W457..... | Flair Blue/Turquoise |
| AB W458..... | Flair Green/Blue |
| AB W459..... | Flair Lemon/Lime |

Wicked Flair Silver Spectrum

| | Retail | Sale |
|--------------|----------|----------|
| 16 oz | 307.55 | 275.00 |
| 32 oz | 615.10 | 549.00 |
| 128 oz | 2,343.26 | 1,895.00 |

| Order # | Color Name |
|--------------|-----------------------|
| AB W453..... | Flair Silver Spectrum |

SETS

Wicked Primary Set

(6) 2 oz bottles - Black, Yellow, Red, Blue, Opaque White and Reducer

| Order | Retail | Sale |
|-----------------|--------|-------|
| AB W101-00..... | 39.22 | 29.00 |

Wicked Sample Set #2

(7) 2 oz bottles - White, Black, Red, Violet, Blue, Phthalo Green, Golden Yellow, Reducer

| Order | Retail | Sale |
|-----------------|--------|-------|
| AB W102-00..... | 53.52 | 39.50 |

Wicked Fluorescent Colors Set

(6) 2 oz bottles - Fluorescent Purple, Raspberry, Green, Yellow, Pink and Orange

| Order | Retail | Sale |
|-----------------|--------|-------|
| AB W103-00..... | 41.59 | 30.75 |

Wicked Secondary Set

(6) 2 oz bottles - Orange, Violet, Phthalo Green, Brown, Golden Yellow and Reducer

| Order | Retail | Sale |
|-----------------|--------|-------|
| AB W104-00..... | 39.22 | 29.00 |

Wicked Pearl Colors Set

6) 2 oz bottles - Pearl Black, White, Blue, Lime Green Gold and Silver

| Order | Retail | Sale |
|-----------------|--------|-------|
| AB W105-00..... | 43.56 | 32.25 |

Wicked Detail Colors Sampler Set

(6) 2 oz bottles - Detail White - Detail Black - Detail Yellow - Detail Cobalt Blue - Detail Carmine and Reducer

| Order | Retail | Sale |
|-----------------|--------|-------|
| AB W110-00..... | 39.22 | 29.00 |

Wicked Detail Colors Flesh Tone Set

(6) 2 oz bottles - Detail Moss Green, Detail Carmine, Detail Smoke Black, Detail Flesh Tone, Detail Violet and Reducer

| Order | Retail | Sale |
|-----------------|--------|-------|
| AB W111-00..... | 39.22 | 29.00 |

Wicked Pro Set

1 ea 2oz: W051 Detail Black, W052 Detailed White, W052 Detail Yellow, W053 Detail Scarlet, W054 Detail Orange, W055 Detail Violet, W056 Detail Red Violet, W057 Detail Blue Violet, W059 Detail Moss Green, W060 Detail Viridian, W061 Detail Cobalt Blue, W068 Detail Raw Umber, W070 Detail Sepia, W074 Detail Burnt Sienna and 2 ea 2oz: W030 Opaque White

| Order# | Retail | Sale |
|-----------------|--------|-------|
| AB W112-00..... | 106.28 | 79.00 |

Wicked Kent Lind Warm Colors Set

(8) 2 oz bottles - Red, Brown, Crimson, Detail White, Detail Black, Detail Yellow, Detail Orange and Detail Magenta

| Order | Retail | Sale |
|-----------------|--------|-------|
| AB W113-00..... | 60.47 | 44.50 |

Wicked Kent Lind Cool Colors Set

(8) 2 oz bottles - Violet, Deep Blue, Laguna Blue, Detail White, Detail Black, Detail Blue Green, Detail Verdian and Detail Cobalt Blue

| Order | Retail | Sale |
|-----------------|--------|-------|
| AB W114-00..... | 60.47 | 44.50 |

Wicked Opaque 12 Color Set

(12) 2oz bottles- White, Jet Black, Hansa Yellow, Bismuth Vandate Yellow, Pyrrole Orange, Pyrrole Red, Phthalo Green, Limelight Green, Phthalo Blue, Daylight Blue, Dioxazine Purple, Cream

| Order | Retail | Sale |
|-----------------|--------|-------|
| AB W130-02..... | 83.14 | 62.00 |

Wicked Opaque Primary Set

(2) 2oz bottles- Op. White, Jet Black, Hansa Yellow, Pyrrole Red, Lime light Green, Phthalo Blue

| Order | Retail | Sale |
|-----------------|--------|-------|
| AB W131-02..... | 41.57 | 31.00 |

Wicked Essential Pearl Set

6) 2 oz bottles - Pearl Yellow, Red, Orange, Plum, Brite Blue, and Metallic White - fine

| Order | Retail | Sale |
|-----------------|--------|-------|
| AB W132-02..... | 43.58 | 32.50 |

Wicked Metallic Galaxy Set

1 ea 2oz: W361 Metallic White (Coarse), W362 Metallic Bronze, W353 Metallic Copper, W354 Metallic Blue Silver, W366 Metallic Midnight Blue, W367 Metallic Elegance, W368 Metallic Charcoal Viola, W369 Metallic Pewter, W370, Metallic Light Brown, W371 Metallic Dark Brown, W372 Metallic Rose W373 Actress Gold.

| Order | Retail | Sale |
|-----------------|--------|-------|
| AB W133-02..... | 90.42 | 67.75 |

Wicked Electric Tropics Set

1 ea 2oz: W305 Pearl Lime Green, W306 Pearl Orange, W309 Pearl Teal, W310 Pearl Magenta, W382 Pearl Electric Blue, W383 Pearl Electric Purple

| Order | Retail | Sale |
|-----------------|--------|-------|
| AB W134-02..... | 43.58 | 32.65 |

Additional Wicked Sets see Page 5 & 8



candy2o / AutoBorne Sealers

candy2o Colors True Candy Performance

100% transparent, water-based color made with aniline dyes.

candy2o are water-based, aniline dye color concentrates intended for mixing with a carrier such as 4050 UVLS Gloss Clear. candy2o are metal-complex dyes, which are light-fast stable and suitable for exterior applications such as automotive refinishing. While not lightfast like a pigment-based color, are not fugitive like a fluorescent and will last for many years with limited exposure to direct light, such as a candy paint job on a car or motorcycle that is driven and parked outside on sunny days, but otherwise garaged. candy2o's dye type, metal complex, is more light-stable compared to other dye-types, both solvent-based and water-based. candy2o are concentrated and appear dark in solution. After top-coated with a gloss clear, appear bright & vibrant over a metallic base, and the 100% transparent nature of the color will be apparent. 4050 UVLS Gloss is the recommended carrier for candy2o. Airbrush - 4050 1:1 candy2o, thin ~ 10% 4011 Reducer Spray-Gun - 4050 6:1 candy2o, no thinning. Createx recommend a top-coat with a Automotive - 2k, solvent-based, urethane clear for a deep wet look shine

candy2o Colors

| Size | Retail | Sale |
|-------------|--------|-------|
| 8 oz | 28.05 | 20.95 |
| 16 oz | 53.86 | 39.95 |
| 32 oz | 110.15 | 83.50 |

| Order # | Color Name |
|---------------|------------------|
| AB 4650 | Blood Red |
| AB 4651 | Sunset Magenta |
| AB 4652 | Tequila Yellow |
| AB 4653 | Lemon Yellow |
| AB 4654 | Grabber Orange |
| AB 4655 | Marine Blue |
| AB 4656 | Midnight Blue |
| AB 4657 | Caribe Blue |
| AB 4658 | Ultra Violet |
| AB 4659 | Deep Purple |
| AB 4660 | Poison Green |
| AB 4661 | Emerald Green |
| AB 4662 | Dirt track Brown |
| AB 4663 | Red Oxide |
| AB 4664 | Black |
| AB 4665 | Brandywine |
| AB 4666 | Tealiscious |

candy2o Color Sets

candy2o Primary Set

Contains 1 x 4650 Blood Red, 4652 Tequila Yellow, 4654 Grabber Orange, 4655 Marine Blue, 4660 Poison Green, 4050 UVLS Gloss Clear

| Order# | Size | Retail | Sale |
|------------|------|--------|-------|
| AB 4680-00 | 2oz | 53.99 | 39.95 |

candy2o Sampler Set

Contains 1 each 4650 Blood Red, 4652 Tequila Yellow, 4655 Marine Blue, 4050 UVLS Gloss Clear

| Order# | Size | Retail | Sale |
|------------|------|--------|-------|
| AB 4682-00 | 2 oz | 34.86 | 26.00 |
| AB 4967-A | 4 oz | 55.99 | 41.95 |

candy2o Hobby Set

Contains 1 each 2oz bottle of: 6013 AutoBorne Sealer Silver, 4011 Reducer, 4650 Blood Red, 4653 Lemon Yellow, 4657 Caribe Blue, 4050 UVLS Gloss Clear

| Order# | Size | Retail | Sale |
|------------|------|--------|-------|
| AB 4682-01 | 2 oz | 45.99 | 34.40 |

candy2o Color Sets Continued

candy2o Warm Set

Contents: 1 each 4650 Blood Red, 4652 Tequila Yellow, 4654 Grabber Orange, 4655 Marine Blue, 4659 Deep Purple, 4050 UVLS Gloss Clear

| Order # | Size | Retail | Sale |
|-----------|------|--------|-------|
| AB 4967-B | 4 oz | 86.74 | 65.00 |

candy2o Cool Set

Contents: 1 each 4 oz: 4650 Blood Red, 4653 Lemon Yellow, 4656 Midnight Blue, 4658 Ultra Violet, 4661 Emerald Green, 4050 UVLS Gloss Clear

| Order # | Size | Retail | Sale |
|-----------|------|--------|-------|
| AB 4967-C | 4 oz | 86.74 | 65.00 |

candy2o Real Fire Set

Set Includes: 4230 Transparent White 650 Blood Red, 4652 Tequila Yellow, 4653 Lemon Yellow, 4654 Grabber Orange, 4011 Reducer, 4050 UVLS Gloss Clear

| Order# | Size | Retail | Sale |
|------------|------|--------|-------|
| AB 4970-01 | 2 oz | 54.95 | 41.20 |
| AB 4970-02 | 4 oz | 85.05 | 63.79 |

candy2o Box Set - Warm

Set Includes: 1 each 4650 Blood Red, 4651 Sunset Magenta, 4652 Tequila Yellow, 4654 Grabber Orange, 4655 Marine Blue, 4659 Deep Purple, 4660 Poison Green, 4664 Black, 6013 AutoBorne Silver Sealer, 4011 Reducer, (2 ea.) 4050 UVLS Gloss Clear

| Order# | Size | Retail | Sale |
|-----------|------|--------|--------|
| AB 4967-D | 4 oz | 160.50 | 120.00 |

candy2o Box Set - Cool

Set Includes: 1 each 4 oz. 4653 Lemon Yellow, 4656 Midnight Blue, 4657 Caribe Blue, 4658 Ultra Violet, 4661 Emerald Green, 4662 Dirt Track Brown, 4663 Red Oxide, 4664 Black, 6013 AutoBorne Silver Sealer, 4011 Reducer, (2 ea.) 4050 UVLS Gloss Clear

| Order# | Size | Retail | Sale |
|-----------|------|--------|--------|
| AB 4967-E | 4 oz | 160.50 | 120.00 |

Safety Data Sheets (SDS)

Available on Request. Safety Data Sheets automatically sent to all Correction, Government & Educational Facilities

AutoBorne Sealers

AutoBorne Sealer ("Sealer") is sealer-primer intended for use as the starting ground coat when painting hard, non-porous surfaces. Sealer has excellent adhesion and dries to a hard coating over which Createx paints cover quickly, dry fast and level for a flat finish without texture. Sealer is compatible with all Createx paints, as well as other paint types, and is recommended for all applications except when painting fabric, paper and canvas. 6000 Transparent Sealer is a clear primer-sealer. Use as inter-coat clear, flake carrier and adhesion promoter for most plastics including polycarbonate. 6013 Silver Sealer is the ground coat for Metallic Colors, Silver and candy2o Thin with 4011 Reducer: Spray Guns 5% - 10% per volume Airbrush 0.5mm tip size or large 10% - 25%

AutoBorne Colors

| Size | Retail | Sale |
|--------------|--------|--------|
| 8 oz | 26.52 | 20.50 |
| 16 oz | 35.39 | 26.50 |
| 32 oz | 70.54 | 53.50 |
| 128 oz | 261.04 | 198.00 |

| Item | Color Name |
|---------|---------------------------|
| AB 6001 | Sealer White |
| AB 6002 | Sealer Black |
| AB 6003 | Sealer Grey |
| AB 6004 | Sealer Yellow |
| AB 6005 | Sealer Orange |
| AB 6006 | Sealer Red |
| AB 6008 | Sealer Blue (Green Shade) |
| AB 6009 | Sealer Process Blue |
| AB 6010 | Sealer Green |
| AB 6011 | Sealer Tan |
| AB 6012 | Sealer Burgundy |

AutoBorne Clear Sealer

Is a clear primer-sealer. Use as Adhesion promoter. Apply 6000 direct to most plastics. For difficult to paint plastics, Clear for mixing with dry pearl & metal flake. Apply as a pearl-inter-coat

| Size | Retail | Sale |
|--------------|--------|--------|
| 8 oz | 19.92 | 15.50 |
| 16 oz | 26.53 | 19.90 |
| 32 oz | 52.95 | 40.25 |
| 128 oz | 195.87 | 148.85 |

| Item | Color Name |
|---------|--------------------------|
| AB 6000 | Transparent Clear Sealer |

Additional Createx Color Sets

Wicked Flair Set

1 ea 2oz: W454 Flair Blue/violet, W455 Flair Blue/Magenta, W456 Flair Fuchsia/gold, W457 Flair Blue/Turquoise, W458 Flair Green/Blue, W459 Flair Lemon/Lime.

| Order# | Size | Retail | Sale |
|------------|------|--------|-------|
| AB W135-02 | 2 oz | 63.67 | 47.90 |

candy2o Complete Set

1 ea. 2 oz: 4650 Blood Red, 4651 Sunset Magenta, 4652 Tequila Yellow, 4653 Lemon Yellow, 4654 Grabber Orange, 4655 Marine Blue, 4656 Midnight Blue, 4657 Caribe Blue, 4658 Ultra Violet, 4659 Deep Purple, 4660 Poison Green, 4661 Emerald Green, 4662 Dirt Track Brown, 4663 Red Oxide, 4664 Black, 4665 Brandywine, 4666 Tealiscious, 4011 Reducer, 4050 UVLS Gloss Clear, 4040 Bleed Checker

| Order# | Size | Retail | Sale |
|------------|------|--------|--------|
| AB 4681-01 | 2 oz | 181.09 | 135.00 |

AutoBorne Silver Sealer

6013 Silver Sealer is ground coat for Aluminum Colors W354 - W356 and other Silvers

| Size | Retail | Sale |
|--------------|--------|--------|
| 8 oz | 27.85 | 21.70 |
| 16 oz | 37.16 | 27.85 |
| 32 oz | 70.54 | 53.50 |
| 128 oz | 261.04 | 198.00 |

| Item | Color Name |
|---------|-------------------------|
| AB 6013 | AutoBorne Silver Sealer |

Auto Borne Sets

AutoBorne Sealer Primary Set

Contents: 1 each: 4 oz. 6001 White, 6002 Black, 6004 Yellow, 6006 Red, 6008 Blue (GS), 4011 Reducer

| Order #/Size | Retail | Sale |
|--------------|--------|-------|
| AB 6100-04 | 56.05 | 42.00 |

Technical Data Sheets

Available upon request

- Createx Airbrush Colors TDS
- Wicked Colors TDS
- Illustration Colors TDS
- AutoBorne Sealer TDS
- candy2o TDS
- 4008 Airbrush Restorer TDS
- 4011 Reducer TDS
- 4013 Reducer TDS
- 4020 Automotive Reducer TDS
- 4030 Balancing Clear TDS
- 4040 Bleed Checker TDS
- 5618 Airbrush Cleaner TDS
- Transparent Base - 4004, 6000 TDS
- Createx Clear Coats 5620-22 TDS
- Createx UVLS Clears 4050-53 TDS

Quicksilver Chrome - candy2o Box Set

1 ea 2oz: 4650 Blood Red, 4659 Deep Purple, 4651 Sunset Magenta, 4652 Tequila Yellow, 4653 Lemon Yellow, 4654 Grabber Orange, 4656 Midnight Blue, 4657 Caribe Blue, 4659 Deep Purple, 4660 Poison Green, 4661 Emerald Green, 4662 Dirt Track Brown, 4664 Black, 4666 Tealiscious.,

1 ea 4 oz. Wicked Colors: W357 Quicksilver, W018 Gloss Black, 1 ea. 4 oz. Additives: 4011 4011 Reducer, 4050 UVLS Gloss Clear, 4040 Bleed Checker

| Order# | Retail | Sale |
|------------|---------|--------|
| AB 4997-02 | 186.410 | 139.00 |

Additional Wicked Sets on Page 4

Additional Createx Box Sets on Page 8

Reducers, Mediums & Additives

for all Createx Products except where noted



Createx Colors Mediums for Createx Colors Only

Matte Top Coat

Matte Top Coat Clears are light protective clears best used for textile, fabric and light hobby. They are not recommended for exterior or outdoor use. Top Coat Clears are supple after drying, better suited for fabric. Heat-set after the Top Coat Clear dries for washfast results on t-shirt and fabrics. Thin Matte Top-Coat ~ 10% per volume with 4011 Reducer.

| Order# | Size | Retail | Sale |
|------------|-------|--------|-------|
| AB 5603 08 | 8 oz | 10.31 | 7.79 |
| AB 5603 16 | 16 oz | 17.18 | 12.89 |
| AB 5803 32 | 32 oz | 32.47 | 24.65 |

Gloss Top Coat

Gloss Top Coat Clears are light protective clears best used for textile, fabric and light hobby. They are not recommended for exterior or outdoor use. Top Coat Clears are supple after drying, better suited for fabric. Heat-set after the Top Coat Clear dries for washfast results on t-shirt and fabrics. Thin Gloss Top-Coat ~ 10% per volume with 4011 Reducer.

| Order# | Size | Retail | Sale |
|------------|-------|--------|-------|
| AB 5604 08 | 8 oz | 10.31 | 7.79 |
| AB 5604 16 | 16 oz | 17.18 | 12.89 |
| AB 5604 32 | 32 oz | 32.47 | 24.65 |

Opaque Base

Add to colors to reduce color values or to increase opacity (It may negate the Special effects characteristics of certain colors.) Add small amounts to color until desired result is achieved (up to 25%). Also a great base color for black t-shirts

| Order # | Size | Retail | Sale |
|------------|-------|--------|-------|
| AB 5602 16 | 16 oz | 12.47 | 9.35 |
| AB 5602 32 | 32 oz | 22.96 | 17.45 |

Transparent Base

Transparent Base is the paint without pigments. Appears milky in solution, dries clear. Recommended for use with all Createx Airbrush Colors Only. Add to colors to increase transparency without lessening resin load, for example when making a stain or wash. Apply over colors for a light, protective coating. 5601 is textile specific. Best used for textiles & Fabrics, leather and other flexible porous substrates. And dries to a softer coating compared to other Transparent Bases. Apply 5601 to t-shirt before painting to prevent fabric nap from interfering with painting and improve coverage of colors.

| Order# | Size | Retail | Sale |
|------------|-------|--------|-------|
| AB 5601 08 | 8 oz | 9.70 | 7.35 |
| AB 5601 16 | 16 oz | 12.47 | 9.35 |
| AB 5601 32 | 32 oz | 22.96 | 17.45 |

Reducers

for all Createx Products except as Noted

4011 Reducer

4011 is a water-based thinner used to lower viscosity and promotes faster drying times and complete curing. 4011 is generally added 5% - 10% per volume to paint. 4011 is less aggressive and safer to over-reduce paint with without seeding paint. 4011 assists drying times by flashing water from the paint. 4011 also helps reduce tip-dry better than diluting with water. Intended for use with all Createx Colors paints.

| Order# | Size | Retail | Sale |
|------------|-------|--------|-------|
| AB 4011 08 | 8 oz | 14.53 | 11.30 |
| AB 4011 16 | 16 oz | 18.84 | 14.70 |
| AB 4011 32 | 32 oz | 32.40 | 25.90 |

4021 NEW IMPROVED Reducer

4021 Reducer is a dilutant used for thinning waterbased paint. 4021 Reducer appears clear in the bottle and does not affect color when mixed with paints. Comparison to 4011 Reducer and other thinners 4021 Reducer has a slower evaporation rate compared to 4011 Reducer, which allows paints mixed with 4021 to flow and level better, enhancing the finish by reducing brush marks and spray irregularities. 4021 Reducer virtually eliminates tip-dry. Createx paints have much less tip-dry when thinned with 4021 Reducer compared to thinning with 4011 Reducer. 4021 is generally added 10% - 30% per volume to paint.

| Order# | Size | Retail | Sale |
|------------|-------|--------|-------|
| AB 4021 08 | 8 oz | 14.53 | 11.30 |
| AB 4021 16 | 16 oz | 18.84 | 14.70 |
| AB 4021 32 | 32 oz | 32.40 | 25.90 |

4013 Reducer

4013 Reducer is a new thinner which is complaint with jurisdictions including South Coast AQMD Rule 1401. 4013 Reducer can be used as substitute for 4012. Assists drying times by flashing water from the paint. Reduces tip-dry, and decreases paint viscosity "thins it" for improved flow and atomization, especially when airbrushing. Generally added 5 - 10% per volume. **FLAMMABLE!** The isopropyl alcohol in 4013 Reducer is classified as a flammable substance. Store in a fire-proof cabinet.

| Order# | Size | Retail | Sale |
|------------|-------|--------|-------|
| AB 4013 08 | 8 oz | 14.67 | 11.45 |
| AB 4013 16 | 16 oz | 19.02 | 14.80 |
| AB 4013 32 | 32 oz | 32.73 | 26.19 |

4020 Reducer

4020 assists drying and curing in humid conditions. 4020 is a specialty additive, not to replace 4011 the standard dilutant for all Createx Colors paint. 4020 works best by mixing with 4011 to create a cocktail dilutant. Diluting Createx paints with 4020 alone is not recommended as paint may prematurely cure, seed in the cup and create cured paint particle contaminants. Contains Acetone and Glycol Ethers. Use only in controlled spray environments with adequate ventilation and a NIOSH / MSHA approved respirator. For optimized performance, after adding 4013/4020 Reducer, allow 10 or more minutes before spraying to allow Reducer to acclimate with the paint.

| Order# | Size | Retail | Sale |
|------------|-------|--------|-------|
| AB 4020 08 | 8 oz | 17.00 | 13.25 |
| AB 4020 16 | 16 oz | 22.25 | 17.35 |
| AB 4020 32 | 32 oz | 37.90 | 29.95 |

Airbrush Cleaning Products

Airbrush Cleaner

Airbrush Cleaner is a Highly concentrated nontoxic water based cleaner that thoroughly cleans water based paints from all airbrushes. Helps maintain proper working condition of airbrush or spray-gun by preventing build-up of dried paint.

| Order# | Size | Retail | Sale |
|------------|-------|--------|-------|
| AB 5618 08 | 8 oz | 9.24 | 6.99 |
| AB 5618 16 | 16 oz | 12.12 | 9.05 |
| AB 5618 32 | 32 oz | 22.30 | 16.95 |

Airbrush Restorer

A water-based, biodegradable cleaner used for soaking airbrush and spray-gun parts after painting. Partially dissolves dried paint allowing for easy clean-up with soap & water. Use as a soak for metallic parts: nozzle, needle, cup. Re-Usable. Keep in metal or ceramic container. Flush airbrush or spray-gun with water after cleaning with 4008. Even trace amounts of 4008 will affect paint.

| Order# | Size | Retail | Sale |
|------------|-------|--------|-------|
| AB 4008 16 | 16 oz | 22.29 | 17.39 |

Reducers, Mediums & Additives

for all Createx Products except where noted



Additives

4030 Balancing Clear

**** Not for Use with AutoAir AutoBorne Sealers ****

Water-based, non-catalyze polyurethane clear used as a mix additive for Improved spray performance, flow, adhesion and leveling. Mix 4030 with any Createx Colors paint 10 - 25% per volume or more. 4030 works as an adhesion promoter when mixed with Createx Colors, perfect for direct application to plastics, vinyl and most any hard to paint surface.

Wicked Colors dry to a much more durable coating when mixed with 4030 Balancing Clear. 4030 Balancing Clear appears milky in solution and dries clear
4030 is recommend carries for candy2o on soft surfaces (4050 Gloss for Hard Surfaces)

| Order | Size | Retail | Sale |
|------------|--------|--------|--------|
| AB 4030 08 | 8 oz | 49.07 | 14.85 |
| AB 4030 16 | 16 oz | 35.90 | 27.95 |
| AB 4030 32 | 32 oz | 70.69 | 56.50 |
| AB 4030 12 | Gallon | 269.61 | 214.00 |

4040 Bleed Checker

**** Primarily For Use with AutoAir candy2o Colors ****

4040 Bleed Checker is a hybridized, urethane-acrylic clear used as an inter-coat intended for application over candy2o to prevent the candy2o's dyes from bleeding into top-coated colors.

Apply 4040 Bleed Checker over candy2o as an inter-coat. After 4040 has thoroughly dried (30 – 60 minutes), other colors including subsequent candy2o colors may be applied direct without scuffing. 4040 will prevent the underlying candy2o's dye from leaching ("bleeding") into the top-coated colors.

Apply 4040 Bleed Checker unreduced, straight from the bottle when applying as an inter-coat over candy2o.

| Order# | Size | Retail | Sale |
|------------|-------|--------|-------|
| AB 4040 08 | 8 oz | 22.44 | 17.50 |
| AB 4040 16 | 16 oz | 41.51 | 32.30 |
| AB 4040 32 | 32 oz | 82.47 | 65.50 |

4004 Transparent Base

**** For Use with Wicked Colors Only ****

4004 Transparent Base is the colorless resin base to Wicked Colors. 4004 appears milky in solution yet dries clear. 4004 works as a low-build inter-coat, transparent extender for colors and as a non-reactive barrier to prevent bleeding when using candy2o. T-shirt painter may also wish to apply a light coat or two of 4004 onto the fabric prior to painting to lock down any fabric nap.

| Order | Size | Retail | Sale |
|------------|--------|--------|--------|
| AB 4004 08 | 8 oz | 10.99 | 8.55 |
| AB 4004 16 | 16 oz | 20.09 | 15.65 |
| AB 4004 32 | 32 oz | 36.01 | 28.80 |
| AB 4004 12 | Gallon | 139.10 | 111.25 |

AutoBorne Transparent Sealer

The colorless resin base to Wicked Colors and Auto Air Colors, Recommended for use with all Createx paints. Automotive-grade, Createx's most durable Transparent Base. Excellent adhesion promoter. Apply direct to any plastic for adhesion prior to applying colors. Self-levels & dries quick-est of all Transparent Bases. Excellent adhesion promoter. Apply direct to any plastic for adhesion prior to applying colors.

| Order | Size | Retail | Sale |
|------------|--------|--------|--------|
| AB 6000 16 | 16 oz | 26.53 | 19.90 |
| AB 6000 32 | 32 oz | 52.95 | 40.25 |
| AB 6000 12 | Gallon | 195.87 | 148.85 |

Flexible Adhesion Promoter

5092 Adhesion Promoter is a water-based clear used to make Illustration and Bloodline Colors and other water-based paints stick to latex. Also works as an adhesion promoter for flexible plastics, leather, vinyl and more. Apply 2 medium coats direct to the surface, allow each coat to dry 10 – 15 minutes then apply paint. Avoid applying dry or overly wetter, adhesion is best applied as a medium coat.

May also be mixed with colors and applied direct to the latex. 5092 is added about 25% per vol. to colors, which are then thinned 5% - 10% with 4011 Reducer.

| Order# | Size | Retail | Sale |
|------------|-------|--------|-------|
| AB 5092 08 | 8 oz | 22.44 | 16.95 |
| AB 5092 16 | 16 oz | 42.64 | 31.95 |
| AB 5092 32 | 32 oz | 86.59 | 65.80 |

Clear Coats

For application over any Createx Color Paints

Createx Clear Coat

A water-based, acrylic clear for application over any Createx Colors paints. Durable, for both interior and light exterior use. Not automotive-grade. Appears milky in solution and dries to a transparent coating.

Reduce 5 – 10% 4011 Reducer. Apply with either airbrush or spray-gun

| Size | Retail | Sale |
|--------|--------|--------|
| 8 oz | 19.07 | 14.50 |
| 16 oz | 35.90 | 26.90 |
| 32 oz | 70.69 | 53.70 |
| Gallon | 270.96 | 205.00 |

| Order # | Color Name |
|---------|------------------|
| AB 5620 | Gloss Clear Coat |
| AB 5621 | Satin Clear Coat |
| AB 5622 | Matte Clear Coat |

Createx UVLS Clears

UVLS (Ultra-Violet Light Stabilizer) clears are water-based, architectural-grade clears made for interior and exterior applications. UVLS Clears are made with an acrylic – aliphatic polyurethane resin which is exceptionally durable with excellent adhesion. Clears are durable and do not yellow over time.

4050 Gloss Clear is an excellent adhesive primer for direct application to any substrate other than silicone.

4050 Gloss Clear is the recommended carrier for candy2o Colors on Hard Surfaces and then reduce with 4011 Reducer as needed

| Size | Retail | Sale |
|--------|--------|--------|
| 8 oz | 22.44 | 17.50 |
| 16 oz | 40.87 | 31.85 |
| 32 oz | 77.83 | 62.25 |
| Gallon | 282.98 | 228.00 |

| Order # | Color Name |
|---------|-----------------------|
| AB 4050 | Gloss Clear Coat |
| AB 4051 | Satin Clear Coat |
| AB 4052 | Matte Clear Coat |
| AB 4053 | High Gloss Clear Coat |

Accessories / Createx Sets



Nylon Bottle Adapter

Bottle adaptor for 2 oz. and 4 oz. Bottles Createx Wicked & Auto Air bottles. Remove the flip cap and simply screw on the adaptors. Won't rust, saves space. Works with most siphon feed airbrushes.

| | | | |
|-------------------|-------------------------------|--------------|--------------|
| Item # | Description | Retail | Sale |
| AB 5701-01 | Bottle Adapter 3 Pack | 9.65 | 9.15 |
| AB 5701-06 | Bottle Adapter 6 Pack | 17.37 | 16.50 |
| AB 5701-12 | Bottle Adapter 12 Pack | 29.59 | 28.00 |

Mustard Cap

Same cap as on Illustration Colors for easy to adjust color flow. Fits 1 oz, 2 oz and 4 oz Createx bottles only.

| | | | |
|-------------------|---------------------------|-------------|-------------|
| Item # | Description | Retail | Sale |
| AB 5702-11 | Mustard Caps 12 ea | 1.92 | 1.80 |

Empty Bottles

Empty Clear Bottles (Not Solvent Proof) with Flip tops

| | | | |
|-------------------|----------------------------------|-------------|-------------|
| Item # | Description | Retail | Sale |
| AB 5702-02 | 2 oz Bottle with flip cap | 1.56 | 1.45 |
| AB 5702-04 | 4 oz Bottle with flip cap | 1.68 | 1.55 |

V-Tape

Created by Vandemon, V-Tape is single coated, stabilized crêpe paper with thin lacquer edge for exact color separation in curves, lines and uneven surfaces. It is easy to apply and it will not lift up.

| | | | |
|-------------------|-----------------------|---------------|---------------|
| Item # | Description | Retail | Sale |
| AB 4872-00 | V-Tape - 1 ea | 12.00 | 11.49 |
| AB 4872-12 | V-Tape - 12 ea | 144.00 | 134.00 |

Craig Fraser's Franken- Steam Box Set

The Frankensteam kit contains all the paint products necessary to recreate the Steampunk "Frankie". You'll have 2 Artool Steampunk FX Stencils to help your Artistic debauchery. A Complete photo of the Frank and a line drawing of the concept art is also included.

1 ea 4 oz. - Additives: 4050 UVLS Gloss Clear, 4011 4011 Reducer, 4040 Bleed Checker, W357 Quicksilver Chrome
1 ea 2 oz. Illustration Colors: 5051 Black 5050 White, 5037 Bloodline Injury Ochre, 5041 Bloodline Vascular Violet, 5045 Bloodline Decay, 5040 Bloodline Coagulated Crimson, 5047 Bloodline Diseased Umber, 5048 Bloodline Surgery Sienna.
1 ea. 2 oz. candy2o Colors: 4650 Blood Red, 4653 Lemon Yellow, 4657 Caribe Blue, 4661 Emerald Green, 4662 Dirt Track Brown, 4664 Black.

1 ea. of the following: FrankenSteam Color Print, FrankenSteam Line Drawing, Craig Fraser Artool Steampunk Stencil Set w/info card, Gear Head Stencil by Gerald Mendez.

| | | |
|-------------------|-------------------|---------------|
| Order # | Retail | Sale |
| AB 4999-02 | 186.10 | 139.00 |

Gerald Mendez Art Studio Color Box Set

The Gerald Mendez Art Studio Set is an all in 1 training set in a box. Including a complete How-To for a Aztec Mask, line drawing for transfer, Artool Texture FX Template, Aztec Mask How-to by Gerald Mendez instructions and all the colors in candy2o and Illustration Colors needed to achieve this masterpiece. Set Contains: 2 ea 2oz: 4050 UVLS Gloss Clear

1 ea 2 oz: 4020 Reducer, 4004 Tranparen Base, 4011 Reducer
1 ea candy2o Candy Dyes 2oz: 4650-02 Blood Red, 4652-02 Tequila Yellow, 4653-02 Lemon Yellow, 4654-02 Grabber Orange, 4655-02 Marine Blue, 4657-02 Caribe Blue, 4659-02 Deep Purple, 466-021 Emerald Green, 4662-02 Dirt Track Brown

1 ea Createx Illustration Colors 2oz: 5050-02 White, 5051-02 Black, 5052-02 Yellow, 5053-02 Scarlet, 5059-02 Cobalt Blue Plus 12 Mustard Caps
1 each of the following: How-to brochure. Aztec Mask Line Drawing, Artool Texture FX Template

| | | |
|------------------|--------------------|---------------|
| Order # | Retail | Sale |
| AB 4969-A | 162.690 | 122.00 |

Cory St. Clair Signature Set

The Cory Saint Clair Signature Set is an all in 1 portrait/Fleshtone training set in a box, Colors include Illustration, Wicked and candy2o, color use guide and a few of Cory's tips and favorite uses for colors.

Kit Contains the following:
2 ea 2 oz of: 4011-02 4011 Reducer
1 ea 2oz of: 4004-02 Transparent Base, 4050 UVLS Gloss Clear
1 ea candy2o Dye Colors: 4650-02 Blood Red, 4653-02 Lemon Yellow, 4655-02 Marine Blue, 4664-02 Black
6 ea Precision caps
1 ea Illustration Colors: 5050-02 White, 5051-02 Black, 5037-02 Bloodline Injury Ochre, 5039-02 Bloodline Blood Red, 5048-02 Bloodline Surgery Sienna
1 ea Wicked Colors 2oz: W007-02 Wicked Blue, W009-02 Wicked Phthalo Green, W052-02 Detail Yellow, W068-02 Wicked Raw Umber, W075-02 Detail Black Magenta, W076-02 Universal Fleshtone

| | | |
|------------------|----------------------|---------------|
| Order # | Retail | Sale |
| AB 4959-A | 152.77.00 | 114.00 |

Safety Data Sheets Available upon request:

- 4004 Transparent Base SDS
- 4008 Airbrush Restorer SDS
- 4011 Reducer SDS
- 4020 Reducer SDS
- 4030 Balancing Clear SDS
- 4040 Bleed Checker SDS
- 5092 Flex Additive SDS
- 7040 Adhesion Promoter SDS
- 5618 Airbrush Cleaner SDS
- 5620 - 5622 Clear Coat SDS
- AutoBorne Sealers SDS
- candy2o No Prop 65 SDS
- Createx Airbrush Colors SDS
- Illustration Colors SDS
- Wicked Colors SDS
- Wicked Pearl Flake Colors SDS
- Wicked Opaque Colors SDS
- Wicked Quicksilver/Gold SDS
- UVLS Clears SDS

Also available:

Createx Textile, Leather and Flexible Substrates Guide

Createx Hard-Surface & Automotive Application Guide

AutoAir Colors are now Wicked Colors

| | | | |
|---|---|--|--|
| Transparent Colors <i>See new</i> Wicked Standard & Detail Colors | Iridescent Colors <i>See new</i> Wicked Pearl Colors | Metallic Colors <i>See new</i> Wicked Metallic Colors | Cosmic Sparkle Colors <i>See new</i> Wicked Cosmic Sparkle Colors |
| Semi- Opaque Colors <i>Discontinued</i> Replaced with Wicked Opaque Colors | Aluminum Bases <i>See new</i> Wicked Aluminum | Hi-Lite Interference Colors <i>See new</i> Wicked Hi-Line Colors | Flair Color Shift Colors <i>See new</i> Wicked Flair Colors |
| Pearl Colors <i>See new</i> Wicked Pearl Colors | Quicksilver/Gold Platings <i>See new</i> Wicked Quicksilver/Gold Plating | Hot Rod Sparkle Colors <i>See new</i> Wicked Hot Rod Sparkle Colors | Sparklescent Colors <i>Discontinued</i> |



Createx Illustration Colors

Illustration Colors are Createx's flagship airbrush paints designed for refined atomization and flow through the smallest of airbrush tip sizes, at low psi settings, without a stippled pattern when faded from a tint to a saturated color. Water-based Acrylic Resin, Lightfast Pigments, Archival Grade Paint Illustration Colors dry to a matte finish. Illustration Colors, Bloodline and Lifeline are transparent paints with no filler added and made with a saturated pigment volume for coverage out of the bottle. Illustration Opaque Colors have a higher pigment volume to create a more saturated color for increased coverage compared to other Illustration Colors. All Illustration Colors color-types are made with the same resin, perform similarly, and are collectively herein referred to as "Illustration Colors".
Soft Erasing Illustration Colors are unique in that the final cure is delayed for 48 hours, during which the colors may be "soft erased" for subtle manipulation. After this open cure window, Illustration Colors cure to a hard coating. (When mixed with 4030 Balancing Clear or 4050 UVLS Gloss Clear, Illustration Colors do not soft erase.)

Illustration Colors Pricing

| | | |
|------|--------|-------|
| Size | Retail | Sale |
| 8 oz | 21.04 | 15.95 |

Illustration Color

| | |
|-------------|-----------------------------|
| Item Number | Color |
| AB 5010 | Berlin AB Colors Fire Red |
| AB 5011 | Berlin AB Colors Bordeaux |
| AB 5012 | Berlin AB Colors Frog Juice |
| AB 5050 | White |
| AB 5051 | Black |
| AB 5052 | Yellow |
| AB 5053 | Scarlet |
| AB 5054 | Orange |
| AB 5055 | Violet |
| AB 5056 | Red Violet |
| AB 5057 | Blue Violet |
| AB 5058 | Viridian |
| AB 5059 | Cobalt Blue |
| AB 5060 | Cerulean Blue |
| AB 5061 | Magenta |
| AB 5062 | Burnt Umber |
| AB 5063 | Sepia |
| AB 5064 | Burnt Sienna |
| AB 5065 | Moss Green |
| AB 5066 | Paynes Grey |
| AB 5640 | Ultramarine Blue |
| AB 5641 | Pyrrole Red |
| AB 5642 | Pyrrole Orange |
| AB 5643 | Bismuth Vandate Yellow |
| AB 5644 | Yellow Ochre |
| AB 5645 | Teal |
| AB 5646 | Titan Bluff |
| AB 5647 | Yellow Green Oxide |
| AB 5648 | Flat Black |

Illustration Colors Opaque

| | |
|-------------|--------------|
| Item Number | Color |
| AB 5068 | Opaque White |
| AB 5078 | Opaque Black |

Illustration Color CMYK Colors

| | |
|-------------|--------------|
| Item Number | Color |
| AB 5095 | CMYK Cyan |
| AB 5096 | CMYK Magenta |
| AB 5097 | CMYK Yellow |

Flexible Adhesion Promoter

A water-based primer for painting on latex masks so paint will not chip, crack or peel off. May be applied as a primer direct to latex as or mixed direct with Illustration Colors and other Createx Colors paints.:

| | | | |
|---------|-------|--------|-------|
| Item No | Size | Retail | Sale |
| 5092-08 | 8 oz | 22.44 | 16.95 |
| 5092-16 | 16 oz | 42.64 | 31.95 |
| 5092-32 | 32 oz | 86.59 | 65.80 |

Tim Gore's Bloodline

Bloodline is part of Createx Illustration Colors, and is the latest artistic expressions for Tim Gore. This line of airbrush colors was specifically created by Tim Gore, with colors designed for the subtleties of painting everything from "hyper real" creatures, humanoids and monsters, latex masks, resin kits, and anything your imagination can come up with.

Notes: Can be used through small airbrushes with tip sizes down to 0.15 mm, at low psi.

| | |
|-------------|--------------------|
| Item Number | Color |
| AB 5035 | Old Bone White |
| AB 5036 | Dermatitis Tan |
| AB 5037 | Injury Ochre |
| AB 5038 | Infectious Pink |
| AB 5039 | Blood Red |
| AB 5040 | Coagulated Crimson |
| AB 5041 | Vascular Violet |
| AB 5042 | Deep Bruise Purple |
| AB 5043 | Expired Blue |
| AB 5044 | Code Blue |
| AB 5045 | Decay |
| AB 5046 | Blunt Trauma Umber |
| AB 5047 | Diseased Umber |
| AB 5048 | Surgery Sienna |
| AB 5049 | Vile Green |

Lifeline Colors

Lifeline Colors is an extension of the Tim Gore's Bloodline Series but in flesh tones.

| | |
|-------------|------------------|
| Item Number | Color |
| AB 5016 | Light Olive Gold |
| AB 5017 | Olive Gold |
| AB 5018 | Deep Olive Gold |
| AB 5019 | Light Espresso |
| AB 5020 | Espresso |
| AB 5021 | Deep Espresso |
| AB 5022 | Fair Blush |
| AB 5023 | Blush |
| AB 5024 | Deep Blush |
| AB 5025 | Light Natural |
| AB 5026 | Natural |
| AB 5027 | Deep Natural |
| AB 5028 | Natural Lip |
| AB 5029 | Intrinsic Shade |
| AB 5030 | Cool Tone |

Illustration Transparent Base

Illustration Transparent Base is a colorless resin base of Createx Illustration Colors which serves a variety of functions. Transparent Base appears milky but dries to a clear matte finish: -- use as an inter-coat to lock down your color, -- use to increase transparency and help improve flow -- solvent-hybrid reducer that can be used to slow the drying time for better paint flow and less tip dry

| | | | |
|---------|------|--------|------|
| Item No | Size | Retail | Sale |
| 5090-08 | 8 oz | 40.66 | 8.10 |

Illustration Sets

Illustration Color Wheel Set

Consists of 1 ea: White, Black, Yellow, Scarlet, Orange, Violet, Red Violet, Blue Violet, Viridian, Cobalt Blue, Cerulean Blue, Magenta, Burnt Umber, Sepia, Burnt Sienna, Moss Green, Transparent Base and 4011 Reducer

| | | | |
|---------|----------|--------|--------|
| Order # | Size | Retail | Sale |
| 5080-01 | 1oz Set | 96.36 | 72.00 |
| 5080-00 | 2 oz Set | 160.60 | 120.00 |
| 5080-08 | 8 oz Set | 343.71 | 255.00 |

Illustration Color Primary Set

Set Consists of 1 ea White, Black, yellow, Scarlet, Cobalt Blue and 4011 Reducer

| | | | |
|---------|----------|--------|-------|
| Order# | Size | Retail | Sales |
| 5081-01 | 1oz Set | 31.16 | 23.00 |
| 5081-00 | 2 oz Set | 54.93 | 38.00 |

Illustration Colors Secondary Set

Set Consists of 1 ea: Orange, Violet, Burnt Umber, Burnt Sienna, Moss Green and 4011 Reducer

| | | | |
|---------|----------|--------|-------|
| Order# | Size | Retail | Sale |
| 5082-01 | 1 oz Set | 34.16 | 23.00 |
| 5082-00 | 2 oz Set | 54.93 | 38.00 |

Illustration Colors Box Set

Set Consists of 1 ea 1 oz : Black, Yellow, Scarlet, Orange, Violet, Red Violet, Blue Violet, Viridian, Cobalt Blue, Cerulean Blue, Magenta, Burnt Umber, Burnt Sienna, Sepia, Moss Green, Paynes Yellow. 2 oz: White, 4 oz: 4008 Restorer, 4011 Reducer, 4030 Balancing Clear

| | | |
|--------|--------|-------|
| Order# | Retail | Sale |
| 5084-A | 431.84 | 98.00 |

Bloodline Master Set

All 15 colors plus Transparent Base and 4011 Reducer

| | | | |
|---------|----------|------------|------------|
| Order# | Size | List Price | Your Price |
| 5083-04 | 1 oz Set | 90.83 | 68.00 |
| 5083-00 | 2 oz Set | 154.05 | 112.00 |
| 5083-08 | 8 oz Set | 323.75 | 239.00 |

Bloodline Type A-

Set Consists of 1 ea: Old Bone White, Code Blue, Injury Ochre, Blood Red, Blunt Trauma Umber, & 4011 Reducer

| | | | |
|---------|----------|------------|------------|
| Order# | Size | List Price | Your Price |
| 5083-05 | 1oz Set | 34.16 | 23.00 |
| 5083-01 | 2 oz Set | 54.93 | 38.00 |

Bloodline Type B+

Set Consists of 1 ea: Coagulated Crimson, Surgery Sienna, Vascular Violet, Vile Green, Decay & 4011 Reducer

| | | | |
|---------|----------|------------|------------|
| Order# | Size | List Price | Your Price |
| 5083-06 | 1oz Set | 34.16 | 23.00 |
| 5083-02 | 2 oz Set | 54.93 | 38.00 |

Bloodline Type O-

Set Consists of 1 ea: Coagulated Crimson, Vascular Violet, Surgery Sienna, Decay, Vile Green & 4011 Reducer

| | | | |
|---------|----------|------------|------------|
| Order# | Size | List Price | Your Price |
| 5083-07 | 1oz Set | 34.16 | 23.00 |
| 5083-03 | 2 oz Set | 54.93 | 38.00 |

Bloodline Box Set

1 ea 1oz: 5035 thru 5049, 5051 Black. 2ea 2 oz 5050 White, 1 ea 4 oz 4008 Restorer, 4011 Reducer, 4020 Reducer, 4050 UVLS Gloss Clear

| | | | |
|-----------|------|--------|-------|
| Order# | Size | Retail | Sale |
| AB 5084-B | | 431.84 | 98.00 |

Lifeline Master Set

Set Consists of 1 ea. 5016 thru 5030, 5092 Flex Adhesive, 4011 Reducer

| | | | |
|---------|----------|------------|------------|
| Order# | Size | List Price | Your Price |
| 5015-01 | 1 oz Set | 94.89 | 70.00 |
| 5015-02 | 2 oz Set | 155.31 | 116.00 |

Paasche Airbrushes



Paasche VL Airbrush

VL Double Action - Internal Mix - Siphon Feed Airbrush: The VL series is our most popular Airbrush due to its durability and ability to spray most material whether thick or thin. The stainless steel needle and nickel silver tip handle water based or solvent based mediums. The VL airbrush offers versatility with three interchangeable head sizes. This model can achieve spray patterns from fine detail to broader coverage handling light, medium and heavy fluids. The rounded head allows for easy removal of any dried paint with just a pinch of your fingers. Chrome plated body



VL Airbrush Only (No Accessories)

| Order # | Retail | Sale |
|-----------------------|-------------------|-------|
| #1 - (0.55 mm) | | |
| 99 VL#1L | 406.00 | 63.00 |
| #3 - (0.74 mm) | | |
| 99 VL#3L | 405.00 | 62.00 |
| #5 - (1.06 mm) | | |
| 9 VL#5L | 406.00 | 63.00 |

VL-3AS Set Complete

Contents: VL#3L airbrush with #1 0.55mm and #5 1.06mm, tips, needles and heads, Plus: 6' hose, 1 oz. bottle assembly, plain 1 oz. bottle and cap, 1/4oz color cup, airbrush hanger, Wrench and instruction booklet

| Order # | Retail | Sale |
|-----------|-------------------|-------|
| 99 VL-3AS | 459.00 | 95.50 |

VL-1AS Set

Contents: VL#3L airbrush Plus: 6' hose, 1 oz. bottle assembly, plain 1 oz. bottle and cap, 1/4oz color cup, airbrush hanger, Wrench and instruction booklet

| Order # | Retail | Sale |
|-----------|-------------------|-------|
| 99 VL-1AS | 429.00 | 77.50 |

VL-3WC Set in Wood Case

Contents: VL#3L airbrush with #1 0.55mm and #5 1.06mm, tips, needles and heads Plus: 6' hose, 1 oz. bottle assembly, plain 1 oz. bottle and cap, 1/4oz color cup, airbrush hanger, Wrench, Wood Case and instruction booklet

| Order # | Retail | Sale |
|-----------|-------------------|--------|
| 99 VL-3AS | 425.00 | 129.00 |

VL-3MH Set

Contents: VL#3L airbrush with #1 0.55mm and #5 1.06mm, tips, needles and heads Plus: With Anodized aluminum cut-away handle - Plus: 6' hose, 1 oz. Bottle assembly, plain 1 oz. Bottle and cap, 1/4oz color cup, airbrush hanger, Wrench and instruction booklet

| Order # | Retail | Sale |
|-----------|-------------------|--------|
| 99 VL-3MH | 469.00 | 101.50 |

Paasche Millennium Airbrush

The MIL series is slender body than the VL Series airbrush with a cut-away aluminum handle that has the ability to spray most material whether thick or thin. The PTFE packing can handle water based or solvent based mediums. The MIL airbrush offers versatility with three interchangeable head sizes. This model can achieve spray patterns from fine detail to broader coverage handling light, medium and heavy fluids. The rounded head allows for easy removal of any dried paint with just a pinch of your fingers.



Millennium Airbrush Only (No Accessories)

| Order # | Retail | Sale |
|-------------------|-------------------|-------|
| MIL#3 - (0.74 mm) | | |
| 99 MIL#3L | 403.00 | 61.80 |

MIL-1AS Millennium #3 Set

Includes MIL#3L, 6 foot hose, 1/4 oz. side cup, 1 oz. bottle and assembly, 1 oz Storage Bottle w/Cap, wrench and hanger, and instructions

| Order # | Retail | Sale |
|------------|-------------------|-------|
| 99 MIL-1AS | 430.00 | 83.00 |

MIL-3AS Millennium Set

Includes MIL#3L with #1 0.55mm and #5 1.06mm Heads, tips and Needles Plus: , 1 oz Bottle Assembly, 1 oz Storage Bottle, 1/4oz Metal Color Cup, Hanger, 1/8BSP Adapter, 6' Braided Air Hose, Wrench, & Instruction Manual

| Order # | Retail | Sale |
|------------|-------------------|-------|
| 99 MIL-3AS | 463.00 | 97.80 |

MIL-3WC Set in Wood Case

Includes MIL#3L with #1 0.55mm and #5 1.06mm Plus: 1 oz Bottle Assembly, 1 oz Storage Bottle, 1/4 oz color cup, 6' air hose, airbrush hanger, wrench, wood case, instruction booklet

| Order # | Retail | Sale |
|------------|-------------------|--------|
| 99 MIL-3WC | 422.00 | 133.00 |

Paasche Talon Series Airbrush

TG Gravity Feed Airbrush

Talon TG Airbrush: The Paasche TG is a double action gravity feed airbrush. The airbrush features a chrome plated body and anodized aluminum handle for durability. The TG is our finest detail airbrush allowing the user to achieve hair line detail and using our optional fan head wider patterns up to 3 inches. A PTFE packing allows the TG to handle any water or solvent based paint. Clean up is as simple as spraying your paint cleaner through the airbrush and wiping of the needle. The TG is best used for those requiring high end detail. Applications including automotive graphics, models, taxidermy, cake decorating, tattoos, finger nails, graphic arts, illustration, etc. With Chrome Plated Body



Talon TG Airbrush Only (No Accessories)

| Order # | Retail | Sale |
|-------------------------|-------------------|-------|
| TG#2 - (0.33 mm) | | |
| 99 TG#2L | 442.00 | 87.00 |

TG .38mm airbrush Set

TG#2L with 6 foot hose, 2 wrenches and hanger and Instruction Manual

| Order # | Retail | Sale |
|---------|-------------------|-------|
| TG-1AS | 462.00 | 99.00 |

TG Set w/ Fan Air Cap

TG#2L with #1 0.25mm & #3 0.66mm nozzles air cap & needles, fan caps Plus: 6 foot hose, 2 wrenches and hanger and Instruction Manual

| Order # | Retail | Sale |
|---------|-------------------|--------|
| TG-3AS | 424.00 | 127.00 |

TG Set in Wood Case

with #1 0.25mm & #3 0.66mm nozzles air cap & needles, fan caps Plus: 6 foot hose, 2 wrenches, hanger wood case and Instruction Manual

| Order # | Retail | Sale |
|---------|-------------------|--------|
| TG-3WC | 465.00 | 162.00 |

TG Deluxe Set

TG#2L with #1 0.25mm, #3 0.66mm & #4 1.05 mm, nozzles, air caps & needles, fan cap Plus: 6 foot hose, 2 wrenches and hanger and Instruction Manual

| Order # | Retail | Sale |
|---------|-------------------|--------|
| TG-4AS | 439.00 | 145.00 |

TGX Vision Airbrush

The TGX Vision airbrush is the newest in our Talon line. The Vision is the finest detail airbrush in Paasche line. The atomizing control allows you to dial in the finest detail without adjusting the pressure from your compressor. Being in the Talon line means it can The Vision will come installed with our new .2mm head, sloped trigger, air atomization control and the black chrome plating.



TGX Vision Airbrush Only (No Accessories)

| Order # | Retail | Sale |
|--------------------------|-------------------|--------|
| TGX#2 - (0.20 mm) | | |
| 99 TGX-#0L | 425.00 | 138.00 |

TGX Vision Set in Metal Case

TGX#0 Plus #3 0.66 mm Head, Nozzle, Needle, Fan Aircap, Hanger, (2) Wrenches, Metal case, and manual.

| Order # | Retail | Sale |
|---------|-------------------|--------|
| TGX-2F | 435.00 | 201.00 |

TS Siphon Feed Airbrush:

Talon TS is a Double Action - Siphon Feed Airbrush: The airbrush features a chrome plated body and aluminum anodized cutaway handle. The TS#3L is installed with the .66mm head and can achieve detail down to 1/64 inch and using our optional fan head wider patterns up to 3 inches. A PTFE packing enables the TS to handle any water or solvent based paint. Clean up is as simple as spraying your paint cleaner through the airbrush and wiping of the needle. The TS can be used for many applications including hobby, craft, automotive, t-shirts, taxidermy, ceramics, cake decorating, tanning, tattoos, etc.



TS Talon Siphon Feed Airbrush Only (No Accessories)

| Order # | Retail | Sale |
|-----------------------------|-------------------|-------|
| TS#3L #3 - (0.66 mm) | | |
| TS#3L | 409.00 | 67.50 |

TS 1 Airbrush Sets

Talon TS#3L 6 foot airhose, 1/4-oz metal color cup, 1oz bottle with adapter, 1 oz bottle with storage cap, 2 Wrench, Hanger and Instruction Manual

| Order # | Retail | Sale |
|---------|-------------------|-------|
| TS-1AS | 447.00 | 91.00 |

TS 3 Airbrush Set

Talon TS#3L with #1 0.25mm, #3 0.66mm & #4 1.05 mm Air Caps, Tips, Needles, Plus: 6 foot airhose, 1/4-oz metal color cup, 1oz bottle with adapter, 1 oz bottle with storage cap, 2 Wrench, Hanger and Instruction Manual

| Order # | Retail | Sale |
|---------|-------------------|--------|
| TS-3AS | 489.00 | 117.00 |

TS 4 Airbrush Set in Wood Case

Talon TS#3L with #1 0.25mm, #3 0.66mm & #4 1.05 mm Air Caps, Tips, Needles, Plus: 6 foot airhose, 1/4-oz metal color cup, 1oz bottle with adapter, 1 oz bottle with storage cap, 2 Wrench, Hanger, Wood Case and Instruction Manual

| Order # | Retail | Sale |
|---------|-------------------|--------|
| TS-4WC | 449.00 | 154.00 |

Paasche Airbrushes



Paasche H Airbrush

H Single Action - External Mix - Siphon Feed Airbrush: This single action airbrush features a chrome plated body for durability. The H single action allows the user to achieve fine lines down to 1/16 inch and wider patterns of up to 1-1/2 inches. It simple and easy to use and requires very little practice compared to double action models. The best uses are those requiring more basic spraying like solid coats, uniform lines or stencil work. Clean up is as simple as spraying your paint cleaner through the airbrush. The H is used for many applications including hobby, craft, chip and ding repair, taxidermy, ceramics, cake decorating, tanning, tattoos, etc. The H airbrush is made in the USA.



H Airbrush Only (No Accessories)

| Order # | Retail | Sale |
|-----------------------|------------------|--------------|
| #1 - (0.45 mm) | | |
| 99 H#1L | 69.00 | 42.50 |
| #3 - (0.64 mm) | | |
| 99 H#3L | 68.00 | 42.00 |
| #5 - (1.06 mm) | | |
| 99 H#5L | 69.00 | 42.50 |

H-1AS Set

Contents: H#3L Plus.; 6' hose, 1 oz. bottle assembly, plain 1 oz. bottle and cap, airbrush hanger, Wrench and instruction booklet

| Order # | Retail | Sale |
|----------|------------------|--------------|
| 99 H-1AS | 94.00 | 57.00 |

H-3AS Set

Contents: H#3L airbrush with #1 0.45MM & #5 1.06MM air caps, tips needles & Aircap.; Plus: 6' hose, 1/4 oz Color Cup, 1 oz. bottle assembly, plain 1 oz. bottle and cap, airbrush hanger, Wrench and instruction booklet

| Order # | Retail | Sale |
|----------|-------------------|--------------|
| 99 H-3AS | 121.00 | 75.00 |

H-3WC Wood Case Set

Contents: H#3L airbrush with #1 0.45MM & #5 1.06MM air caps, tips needles & Aircap.; Plus: 6' hose, 1/4 oz Color Cup, 1 oz. bottle assembly, plain 1 oz. bottle and cap, airbrush hanger, Wrench, wood case and instruction booklet

| Order # | Retail | Sale |
|----------|-------------------|---------------|
| 99 H-3WC | 179.00 | 109.00 |

Paasche RG Raptor Airbrush

The Paasche RG is a double action gravity feed airbrush. The airbrush features a chrome plated body and anodized aluminum handle for durability. The RG is a fine detail airbrush allowing the user to achieve hair line detail. A PTFE packing allows the RG to handle any water or solvent based paint. Clean up is as simple as spraying your paint cleaner through the airbrush and wiping of the needle. The RG is best used for those requiring high end detail. Applications including automotive graphics, models, taxidermy, cake decorating, tattoos, finger nails, graphic arts, illustration, etc. The RG airbrush is made and assembled in the USA and includes the following.



RG Raptor Airbrush Only (No Accessories)

| Order # | Retail | Sale |
|-----------------------------|-------------------|--------------|
| RG#1L #3 - (0.25 mm) | | |
| RG#1L | 136.00 | 84.00 |

RG 1 Airbrush Sets

Talon RG#1L with 1/10 oz cup, Cup Cover, 6 foot hose, 2 wrenches and hanger and Instruction Manual

| Order # | Retail | Sale |
|---------|-------------------|---------------|
| RG-1AS | 162.00 | 100.00 |

RG 3 Airbrush Sets

Talon RG#1L Plus #1 (0.38mm) & #3 (0.66mm) Head, tip & Needle, with 1/10 oz cup, Cup Cover, 6 foot hose, 2 wrenches and hanger and Instruction Manual

| Order # | Retail | Sale |
|---------|-------------------|---------------|
| RG-3AS | 189.00 | 116.00 |

RG 4 Airbrush Set

Talon RG#1L Plus #0 (0.20mm), #1 (0.38mm) & #3 (0.66mm) Head, tip & Needle, with 1/10 oz cup, Cup Cover, 6 foot hose, 2 wrenches and hanger and Instruction Manual

| Order # | Retail | Sale |
|---------|-------------------|---------------|
| RG-4AS | 217.00 | 134.00 |

RG 4 Airbrush Set in Wood Case

Talon RG#1L Plus #0 (0.20mm), #1 (0.38mm) & #3 (0.66mm) Head, tip & Needle, with 1/10 oz cup, Cup Cover, 6 foot hose, 2 wrenches, hanger and Wood Case and Instruction Manual

| Order # | Retail | Sale |
|---------|-------------------|---------------|
| RG-4WC | 265.00 | 160.00 |

Paasche AEC Air Eraser

The air eraser can be used anywhere an abrasive is required to delicately erase; such as decorative etching on glass. Can also be used by the professional technician, manufacturer, hobbyist or for dental lab work, erasing color, and removing rust. Requires a compressor 1/3 HP or larger that can deliver up to 70 PSI.



AEC Air Eraser Only (No Accessories)

| Order # | Retail | Sale |
|---------|------------------|--------------|
| 99 AEC | 86.00 | 68.80 |

AEC Set

Contents: AEC Air Eraser with 6 oz Bottle Aluminum Oxide, Dust Mask, 6' Braided Air Hose and Instruction Manual

| Order # | Retail | Sale |
|----------|-------------------|--------------|
| 99 AEC-K | 105.00 | 81.30 |

Fast Cut Compound (aluminum Oxide) 6 oz

| | | |
|----------|-----------------|-------------|
| 99 AEX-6 | 6.95 | 6.09 |
|----------|-----------------|-------------|

Fast Cut Compound (aluminum Oxide) 240 5 lbs

| | | |
|--------------|------------------|--------------|
| 99 AEX-5-240 | 27.50 | 24.05 |
|--------------|------------------|--------------|

Fast Cut Compound (aluminum Oxide) 240 25 lbs

| | | |
|-----------|------------------|--------------|
| 99 AEX-25 | 99.00 | 86.60 |
|-----------|------------------|--------------|

Fast Cut Compound (aluminum Oxide) 400 5 lbs

| | | |
|--------------|------------------|--------------|
| 99 AEX-5-400 | 39.50 | 34.15 |
|--------------|------------------|--------------|

NOTE:

For Medium Cut -- Use Powered Pumice
For Slow Cut -- Use Food Grade Corn Starch

Paasche Compressors

D220R 1/5 hp Compressor



The D220R airbrush compressor with regulator & moisture trap is perfect for any hobby or artist airbrush. The maximum operating pressure is 40 PSI depending on airbrush being used. The D220R is a diaphragm compressor and more powerful than the 1/5 HP models.

| Order # | Retail | Sale |
|----------|-------------------|---------------|
| 99 D220R | 163.00 | 126.75 |

D500SR 1/5 hp Piston Compressor



The D500SR 1/5hp airbrush compressor with regulator & moisture trap is perfect for any hobby or artist airbrush. The maximum operating pressure is up to 35 PSI depending on airbrush being used. Auto shutoff

| Order # | Retail | Sale |
|-----------|-------------------|---------------|
| 99 D500SR | 171.00 | 128.25 |

D3000R 1/5 ph Piston Compressor w/ Tank



The D3000R 1/5 hp airbrush compressor with regulator & moisture trap is perfect for any hobby or artist airbrush. The maximum operating pressure is up to 35 PSI depending on airbrush being used. Auto shutoff and 3/4 Gal (2.8 L) Air Tank

| Order # | Retail | Sale |
|-----------|-------------------|---------------|
| 99 D3000R | 229.00 | 171.75 |

DA400R 1/4ph Duel Head Compressor



The DA400R is a Dual Head 1/4 H.P. Oil less Compressor The maximum operating pressure up 40 PSI depending on airbrush being used. The DA400R is more powerful than the single head compressors and great if you use larger airbrush heads or thicker paints. Auto shutoff.

| Order # | Retail | Sale |
|-----------|-------------------|---------------|
| 99 DA400R | 252.00 | 189.00 |

DC600R 1/4ph Compressor w/Tank



The DC600R is a Dual Head 1/4 H.P. Oil less Compressor. The maximum operating pressure up 40 PSI depending on airbrush being used. The DA400R is more powerful than the single head compressors and great if you use larger airbrush heads or thicker paints. Auto shutoff. 15/16 Gallon (3.5 l) Air Tank

| Order # | Retail | Sale |
|-----------|-------------------|---------------|
| 99 DC600R | 349.00 | 261.75 |

DC850R 3/4hp Compressor w/Tank



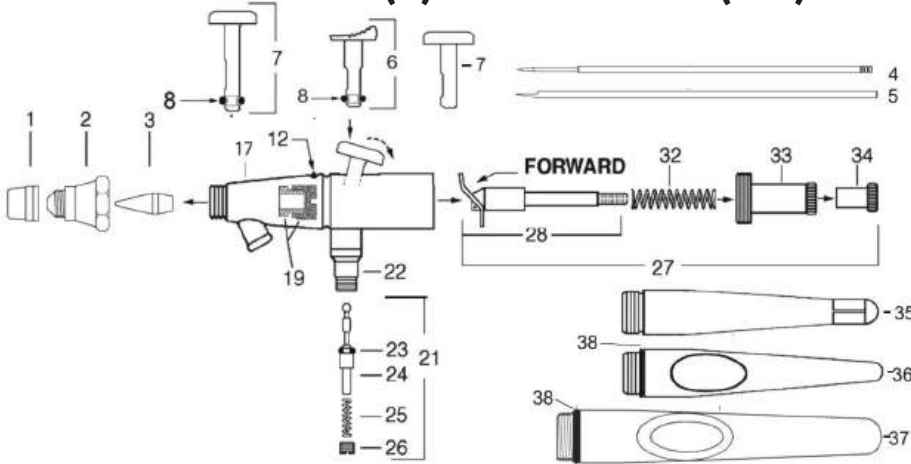
The Paasche DC850R is a Ultra Quiet 3/4 HP compressor with a 1.6 gallon tank & regulator and moisture trap. This oil free compressor has a rust free 1.585 gallon(6 liter) aluminum air tank with easy to use ball drain valve. Delivers up to 90 psi enough to run up to 4 airbrushes at once

| Order # | Retail | Sale |
|-----------|-------------------|---------------|
| 99 DC850R | 419.00 | 314.25 |

Paasche Airbrush Parts



VL (V) and Millennium (MIL) Airbrush Parts

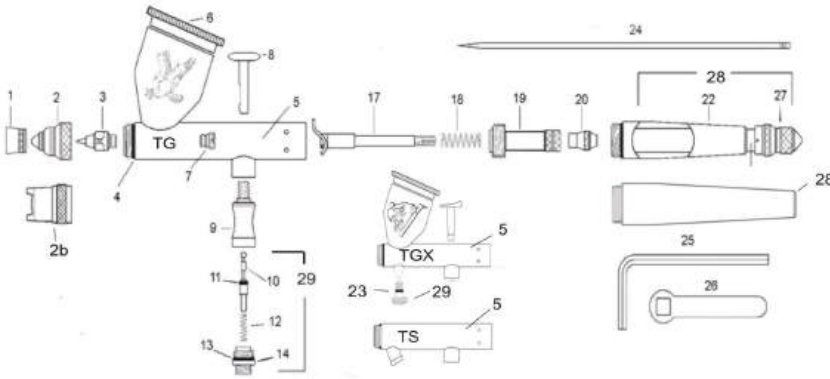


| No. | Order# | Description | Sale Price |
|-----|----------|---------------------|------------|
| 1 | XI-41 | Needle cap | 5.45 |
| 2 | VLH-1 | Head #1 aircap/body | 6.50 |
| 2 | VLH-3 | Head #3 aircap/body | 6.50 |
| 2 | VLH-5 | Head #5 aircap/body | 6.50 |
| 3 | VLT-1 | Tip (nozzle) #1 | 5.95 |
| 3 | VLT-3 | Tip (nozzle) #3 | 5.95 |
| 3 | VLT-5 | Tip (nozzle) #5 | 5.95 |
| 4 | VLN-1 | Needle #1 | 5.75 |
| 4 | VLN-1pol | Needle #1(polished) | 6.50 |
| 4 | VLN-3 | Needle #3 | 5.75 |
| 4 | VLN-5 | Needle #5 | 5.75 |

| No. | Order# | Description | Sale Price |
|-----|--------|-------------------------|------------|
| 5 | VL-54 | Cleaning Reamer | 8.30 |
| 6 | VL-231 | Slanted Trigger - opt. | 6.95 |
| 7 | VL-229 | VL Trigger | 5.90 |
| 7 | MIL-13 | MIL Trigger | 6.25 |
| 8 | TAL-26 | O-ring for Trigger (6) | 5.10 |
| 12 | VL-175 | VL Line adjust assembly | 6.09 |
| 17 | VL-163 | VL Shell | 32.00 |
| 17 | MIL-2 | MIL Shell | 35.70 |
| 9 | MU-612 | Needle packing assm | 5.55 |
| 21 | VL-215 | Air Valve Assembly | 7.50 |
| 22 | VL-20 | VL Air Valve Casing | 5.95 |

| No. | Order# | Description | Sale Price |
|--|--|------------------------------|------------|
| 22 | MIL-9 | MIL Air Valve Casing | 6.50 |
| 23 | A-53 | Air Valve Washers (6) | 5.45 |
| 24 | VL-214 | Air Valve Plunger w/A-53 | 4.65 |
| 25 | A-22 | Air Valve Spring | 2.50 |
| 26 | A-23R | Air Valve Nut | 3.20 |
| 27 | VL-186 | Needle Valve Assembly | 9.50 |
| 28 | VL-191A | VL Rocker Assembly | 6.95 |
| 28 | MIL-4 | MIL Rocker Assembly | 6.50 |
| 32 | VL-140 | VL Needle Spring | 2.80 |
| 32 | MIL-11 | MIL Needle Spring | 2.85 |
| 33 | VL-136A | Needle Adjusting Sleeve | 4.90 |
| 34 | VL-141 | Needle Locknut | 4.05 |
| 35 | VL-134N | Handle | 4.55 |
| 36 | HVL-202 | Anodized Metal Handle - opt. | 9.95 |
| 37 | MIL-10 | MIL Cut Away Handle | 9.75 |
| 38 | VL-224 | VL O-ring handle | 2.29 |
| 38 | MIL-12 | MIL O-ring for MIL-10 (6) | 5.25 |
| N/S | VL-10RK | Repair Kit | 28.70 |
| (1 EA: A23R, MU-612, VL-141, VL-191A, VL-140, VL-136A, VL229, VL214, XI-41, A53 & A22) | | | |
| N/S | VL-227-1 | Tip, Needle, Head #1 Set | 13.25 |
| N/S | VL-227-3 | Tip, Needle, Head #3 Set | 13.25 |
| N/S | VL-227-5 | Tip, Needle, Head #5 Set | 13.25 |
| N/S | V-62 | VL Wrench | 3.25 |
| N/S | VL-1/4OZ | Metal Color Cup | 5.90 |
| N/S | HVL1/4 | Color Cup Cover | 1.95 |
| N/S | Not Shown opt. - Optional (6) - 6 pack | | |

Talon TG, TGX & TS Airbrush Parts



| No. | Order# | Description | Sale Price |
|-----|--------|-----------------------------|------------|
| 1 | XI-41 | Needle Cap | 5.45 |
| 2 | TA-1 | Aircap 0.20mm & 0.25 mm | 6.80 |
| 2 | TA-2 | Aircap 0.38 mm | 6.80 |
| 2 | TA-3 | Aircap 0.66 mm | 6.80 |
| 2 | TA-4 | Aircap 1.05mm | 6.95 |
| 2b | TAF-3 | Fan Aircap #3 0.66mm | 12.75 |
| 2b | TAF-4 | Fan Aircap #4 1.00mm | 13.95 |
| 3 | TT-0 | Nozzle 0.20mm | 11.85 |
| 3 | TT-1 | Nozzle 0.25mm | 7.65 |
| 3 | TT-2 | Nozzle 0.38mm | 7.65 |
| 3 | TT-3 | Nozzle 0.66mm | 7.65 |
| 3 | TT-4 | Nozzle 1.00mm | 8.35 |
| 4 | MIL-12 | O-Ring for body& handle (6) | 5.25 |
| 5 | TG-30 | TG- Shell | 44.80 |
| 5 | TGX-30 | TGX Shell | N/A |

| No. | Order# | Description | Sale Price |
|-----|---------|--------------------------|------------|
| 5 | TS-30 | TS - Shell | N/A |
| 6 | TG-4 | TG - Cup Cover | 5.25 |
| 6 | TGX-104 | TGX - Vision Cup Cover | 6.15 |
| 7 | TAL-8 | Packing Assembly | 5.95 |
| 8 | TAL-37 | TG Trigger | 6.25 |
| 8 | TGX-106 | TGX Trigger | 7.65 |
| 9 | TAL-14 | Valve Casing | 6.25 |
| 10 | TAL-36 | Valve Plunger w/O-ring | 4.60 |
| 11 | A-53 | O-ring Valve Plunger (6) | 5.45 |
| 12 | A-22 | Spring | 2.50 |
| 13 | TAL-22 | Air piston O-ring | 5.10 |
| 14 | TAL-15 | Valve Adapter w/O-ring | 5.15 |
| 17 | TAL-18 | Rocker Assembly | 6.95 |
| 18 | MIL-11 | Needle Spring | 2.85 |
| 19 | TAL-17 | Spring Housing | 5.15 |

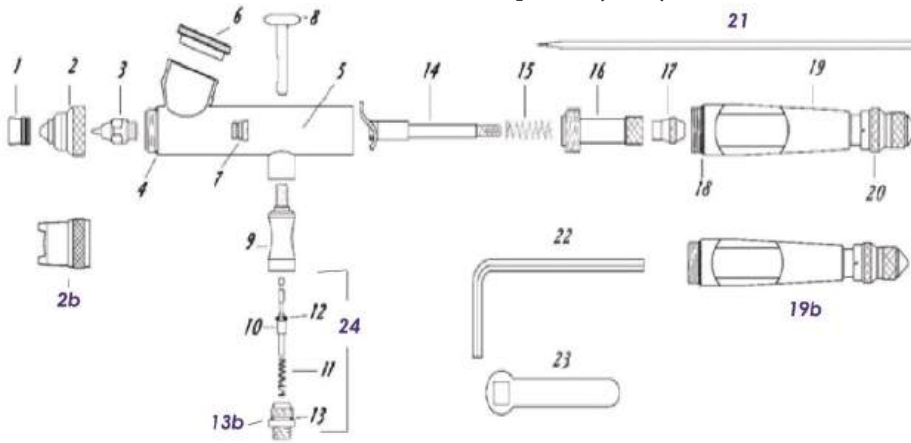
| No. | Order# | Description | Sale Price |
|--|--|---------------------------|------------|
| 20 | TAL-19 | Needle Locknut | 4.40 |
| 22 | TAL-20 | Handle N/A use TAL-34 | |
| 23 | 3A-4 | O-ring (6) | 5.25 |
| 24 | TN-0 | Needle 0.20mm | 8.75 |
| 24 | TN-1 | Needle 0.25mm | 7.05 |
| 24 | TN-2 | Needle 0.38mm | 7.05 |
| 24 | TN-3 | Needle 0.66mm | 7.05 |
| 24 | TN-4 | Needle 1.05mm | 7.65 |
| 25 | TAL-35 | Allen Wrench for Talon | 3.50 |
| 26 | TAL-28 | Wrench for Talon | 3.50 |
| 27 | TAL-33 | TG - Needle Stop | 6.85 |
| 27 | TGX-107 | TGX -Air Valve Stem | 6.75 |
| 28 | TAL-34 | TG - Handle & Stop | 13.95 |
| 28 | TGX-105 | TGX - Handle & Stop | 14.35 |
| 28 | TS-33 | TS - Handle, Aluminum | 7.65 |
| 29 | TAL-32 | Air Valve Assembly | 6.95 |
| N/S | VL-1/4OZ | Metal Color Cup | 5.90 |
| N/S | HVL-1/4 | Color Cup Cover | 1.95 |
| N/S | T-227-0 | Tip, Head & Needle Set #0 | 23.10 |
| N/S | T-227-1 | Tip, Head & Needle Set #1 | 18.15 |
| N/S | T-227-2 | Tip, Head & Needle Set #2 | 18.15 |
| N/S | T-227-3 | Tip, Head & Needle Set #3 | 18.15 |
| N/S | T-227-4 | Tip, Head & Needle Set #4 | 19.60 |
| N/S | TG-10RK | TG - Repair Kit | 32.00 |
| (1 ea: TAL-37, TAL-8, TAL-26, TAL-18, TAL-32, MIL-11, TAL-17, TAL-19 and TAL-23) | | | |
| N/S | TS-10RK | TS - Repair Kit | 32.90 |
| (1 ea: TAL-37, TAL-8, TAL-18, TAL-26, TAL-32, MIL-11, TAL-17, TAL-19 and XI-41) | | | |
| N/S | Not Shown opt. - Optional (6) - 6 pack | | |

For Optimum Performance MATCH Aircap/Head, Tip and Needle Size

Paasche Airbrush Parts



Raptor (RG) Airbrush Parts



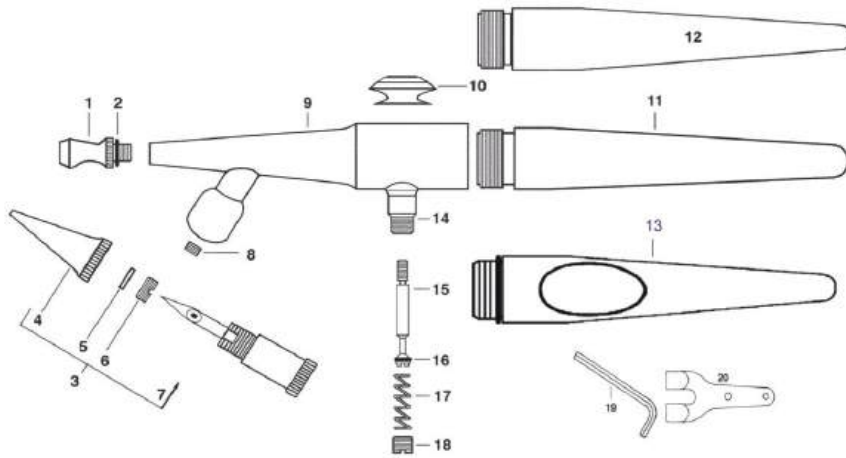
| No. | Order# | Description | Sale Price |
|-----|---------|---------------------------|------------|
| 11 | A-22 | Air Valve Spring | 2.50 |
| 12 | TAL-26 | Air piston O Ring (6pk) | 5.10 |
| 13 | TAL-15 | Valve Adapter | 5.15 |
| 13b | TAL-22 | O Ring (air valve) (6pk) | 5.10 |
| 14 | TAL-18 | Rocker Assembly | 6.95 |
| 15 | MIL-11 | Needle Spring | 2.85 |
| 16 | TAL-17 | Spring Housing | 5.15 |
| 17 | TAL-19 | Needle Locknut | 4.40 |
| 18 | MIL-12 | O Ring, Handle (6pk) | 5.25 |
| 19 | RG-20 | Handle, Raptor | 12.15 |
| 19b | TAL-34 | TG - Handle & Stop opt. | 13.95 |
| 20 | TAL-33 | Needle Stop | 6.85 |
| 21 | TN-1 | Needle 0.25 mm | 7.05 |
| 21 | TN-2 | Needle 0.38 mm | 7.05 |
| 21 | TN-3 | Needle 0.66 mm | 7.05 |
| 21 | TN-4 | Needle 1.05 mm | 7.65 |
| 22 | TAL-35 | Allen Wrench | 3.50 |
| 23 | TAL-28 | Wrench for Talon | 3.50 |
| N/S | T-227-1 | Tip, Head & Needle Set #1 | 18.15 |
| N/S | T-227-2 | Tip, Head & Needle Set #2 | 18.15 |
| N/S | T-227-3 | Tip, Head & Needle Set #3 | 18.15 |
| N/S | T-227-4 | Tip, Head & Needle Set #4 | 19.60 |

| No. | Order# | Description | Sale Price |
|-----|--------|----------------------|------------|
| 1 | XI-41 | Needle Cap | 5.45 |
| 2 | TA-1 | Aircap 0.25 mm | 6.80 |
| 2 | TA-2 | Aircap 0.38 mm | 6.80 |
| 2 | TA-3 | Aircap 0.66 mm | 6.80 |
| 2 | TA-4 | Aircap 1.05mm | 6.95 |
| 2b | TAF-3 | Fan Aircap #3 0.66mm | 12.75 |
| 2b | TAF-4 | Fan Aircap #4 1.00mm | 13.95 |
| 3 | TT-1 | Nozzle 0.25mm | 7.65 |
| 3 | TT-2 | Nozzle 0.38mm | 7.65 |

| No. | Order# | Description | Sale Price |
|-----|--------|------------------------|------------|
| 3 | TT-3 | Nozzle 0.66mm | 7.65 |
| 3 | TT-4 | Nozzle 1.00mm | 8.35 |
| 4 | MIL-12 | O-Ring (6) | 5.25 |
| 5 | RG-30 | RG Shell Not Available | |
| 6 | RG-8 | Cup Cover | 5.00 |
| 7 | TAL-8 | Packing Assembly | 5.95 |
| 8 | TAL-37 | Trigger Assembly | 6.25 |
| 9 | TAL-14 | Valve Casing | 6.25 |
| 10 | TAL-36 | Air piston | 4.60 |

N/S - Not Shown opt. - Optional (6) - 6 pack

H Series (H) Airbrush Parts



| No. | Order# | Description | Sale Price |
|-----|---------|---------------------------|------------|
| 4 | HT-5 | Tip (nozzle) (1.06 mm) | 4.90 |
| 5 | H-185 | Packing, needle | 2.65 |
| 6 | H-184 | Packing Nut | 2.75 |
| 7 | HN-1-3 | Needle size both 1 & 3 | 5.85 |
| 7 | HN-5 | Needle size 5 (1.06 mm) | 5.85 |
| 8 | H-153 | Set Screw (pk 6) | 5.25 |
| 9 | H-150N | Shell Assembly | 23.80 |
| 10 | H-155 | Button "trigger" | 3.60 |
| 11 | H-143 | Handle Plastic | 4.55 |
| 11a | HVL-200 | Handle Metal opt. | 7.65 |
| 11b | HVL-202 | Handle Mtl w/Cut Out opt. | 9.95 |
| 12a | VL-224 | O Ring Handle | 2.29 |
| 14 | H-128A | Valve Casing (air valve) | 6.15 |
| 15 | H-192A | Valve Plunger | 4.30 |
| 16 | A-53 | Air Valve Washer (pk 6) | 5.45 |
| 17 | A-22 | Air Valve Spring | 2.50 |
| 18 | A-23A | Air Valve Nut | 3.20 |
| 19 | F-186 | Wrench | 2.99 |
| 20 | A-34 | Hanger | 3.55 |
| N/S | H-1/40Z | Metal Color Cup | 5.90 |
| N/S | HVL-1/4 | Color Cup Lid | 1.95 |

| No. | Order# | Description | Sale Price |
|-----|--------|--|------------|
| 1 | HC-1-3 | Aircap size (#1 & #3) | \$4.85 |
| 1 | HC-5 | Aircap #5 (1.06 mm) | 4.85 |
| 2 | 3A-4 | "O" Ring (pk of 6) | 5.25 |
| 3 | H-1 | Color Adjusting Part (.45 mm needle & tip) | 9.05 |

| No. | Order# | Description | Sale Price |
|-----|--------|---|------------|
| 3 | H-3 | Color Adjusting Part (.64 mm needle & tip) | 9.05 |
| 3 | H-5 | Color Adjusting Part (1.06 mm needle & tip) | 9.05 |
| 4 | HT-1 | Tip (nozzle) (.45 mm) | 4.90 |
| 4 | HT-3 | Tip (nozzle) (.64 mm) | 4.90 |

N/S - Not Shown opt. - Optional (6) - 6 pack

For Optimum Performance MATCH Aircap/Head, Tip and Needle Size

Paasche Accessories



| No. | Order# | Description | Sale Price |
|-----|--------|---|------------|
| 1 | AC-7 | Airbrush Cleaning Kit Set of 7 Cleaning Brushes | 13.95 |
| 2 | AL-2 | Airbrush Lub Lub for Trigger and Needle | 5.55 |

| No. | Order# | Description | Sale Price |
|-----|--------|---|------------|
| 3 | A-194 | Airbrush Holds Holds 4 Airbrushes with Clamp | 20.95 |
| 4 | A-34 | Airbrush Hanger Hanger for Side of Work space | 3.55 |

Paasche Airbrush Accessories



Paasche Bottles and Accessories

VL Bottle Assemblies/Adapters

For VL, MIL, TS airbrushes Plus most double action siphon feed airbrushes

"VL" Glass Bottle Assemblies

Glass Bottle w/Metal Adapter



| Order # | Description Retail | Sale Price |
|-------------|----------------------------|------------|
| 99 VL-1/2OZ | 1/2oz Bottle Assembly | 6.75 |
| 99 VL-1OZ | 1oz Bottle Assembly | 6.75 |
| 99 VL-3OZ | 3oz Bottle Assembly | 7.40 |
| 99 PCVL-3OZ | 3oz Assembly w/Nylon Adpt. | 7.49 |

"VL" Plastic Bottle Assemblies

Plastic Bottles w/Nylon Adapter

| Order # | Description Retail | Sale Price |
|-------------|-----------------------|------------|
| 99 VLP-3OZ | 3oz Bottle Assembly | 5.50 |
| 99 VLP-8OZ | 8oz Bottle Assembly | 6.95 |
| 99 BA-60-IP | 1oz Bottle Assembly | 4.35 |
| 99 BA-60-2P | 2oz Cylinder Assembly | 4.50 |
| 99 BA-60-3P | 3oz Bottle Assembly | 4.35 |
| 99 BA-60-4P | 4oz Cylinder Assembly | 4.73 |

"VL" Metal Bottle Assemble and Color Cup



| Order # | Description Retail | Sale Price |
|----------|-----------------------------|------------|
| VL-2OZ | 2oz Metal Bottle w/Met. Adp | 26.20 |
| VL-1/4OZ | Metal Color Cup 1/4oz | 5.90 |
| HVL-1/4 | Color Cup Cover | 1.95 |

"VL" Adapters for Bottle Assemblies

| Order # | Description Retail | Sale Price |
|----------|------------------------------|------------|
| 99 VL1/2 | 1/2oz Glass Btl. Metal Adap. | 4.60 |
| 99 VL1 | 1oz Glass Btl. Metal Adap. | 4.60 |
| 99 VL3 | 3oz Glass Btl. Metal Adap. | 4.55 |
| 99 21-VL | 2oz Plastic Btl. Adapters | 4.10 |
| 99 VLP-3 | 3oz Plastic Btl. Adapters | 4.55 |

H Bottle Assemblies/Adapters

For H Series airbrushes only

"H" Glass Bottle Assemblies

Glass Bottle w/Metal Adapter



| Order # | Description Retail | Sale Price |
|------------|------------------------------|------------|
| 99 H-1/2OZ | 1/2oz Glass Bottle Assembly | 6.75 |
| 99 H-1OZ | 1oz Glass Bottle Assembly | 6.75 |
| 99 H-3OZ | 3oz Glass Bottle Assembly | 7.40 |
| 99 PCH-3OZ | 3oz Glass Bottle w/Nylon Ad. | 7.40 |

"H" Plastic Bottle Assemblies

Plastic Bottle w/Nylon Adapter

| Order # | Description Retail | Sale Price |
|-------------|-----------------------|------------|
| 99 HP-3OZ | 3oz Bottle Assembly | 5.50 |
| 99 HP-8OZ | 8oz Bottle Assembly | 6.95 |
| 99 BA-30-IP | 1oz Bottle Assembly | 4.00 |
| 99 BA-30-2P | 2oz Cylinder Assembly | 4.50 |
| 99 BA-30-3P | 3oz Bottle Assembly | 4.35 |
| 99 BA-30-4P | 4oz Cylinder Assembly | 4.73 |

"H" Metal Bottle Assemble and Color Cup



| Order # | Description Retail | Sale Price |
|---------|-----------------------------|------------|
| H-2OZ | 2oz Metal Bottle w/Met. Adp | 26.20 |
| H-1/4OZ | Metal Color Cup 1/4oz | 5.90 |
| HVL-1/4 | Color Cup Cover | 1.95 |

"H" Adapters for Bottle Assemblies

| Order # | Description Retail | Sale Price |
|---------|--------------------------------|------------|
| 99 H1/2 | 1/2oz Glass Btl. Metal Adap. | 4.60 |
| 99 H1 | 1oz Glass Btl. Metal Adap. | 4.60 |
| 99 H3 | 3oz Glass Btl. Metal Adap. | 4.60 |
| 99 21-H | 2oz Plastic Btl. Adapter | 4.10 |
| 99 HP3 | 3oz Plastic Btl. Plastic Adap. | 4.55 |

Bottle Assembly Accessories



Glass Bottles

| Order # | Description Retail | Sale Price |
|----------|--------------------|------------|
| 99 H-164 | 1/2oz Glass Bottle | 3.05 |
| 99 H-99 | 1 oz Glass Bottle | 2.59 |
| 99 H-108 | 3 oz Glass Bottle | 2.89 |

Plastic Bottles

| Order # | Description Retail | Sale Price |
|-----------|--------------------|------------|
| 99 PB-2 | 2oz Plastic Bottle | 1.65 |
| 99 BA-99 | 1oz Plastic Bottle | 1.70 |
| 99 62-17P | 3oz plastic bottle | 2.10 |
| 99 H-209 | 8oz Plastic Bottle | 3.45 |



Bottle Caps

| Order # | Description Retail | Sale Price |
|-----------|------------------------------|------------|
| 99 PC | 2oz Cap for Plastic Bottles | .85 |
| 99 BPC-1 | 1 oz Cap for Plastic Bottles | 1.15 |
| 99 BPC-3 | 3oz/8 oz for Plastic Bottles | 1.15 |
| 99 H-165 | 1/2oz Cap w/Gasket Glass | 1.25 |
| 99 H-191G | 1oz Cap w/Gasket Glass | 1.40 |
| 99 H-190G | 3oz Cap w/Gasket Glass | 1.40 |



Bottle Cap Gaskets

| Order # | Description Retail | Sale Price |
|---------|------------------------|------------|
| 99 5G | 1oz Gasket (pack of 6) | 5.20 |
| 99 3JG | 3oz Gasket (pack of 6) | 5.20 |

VF-38 Siphon Tube

Sipon Tube

| Order # | Description Retail | Sale Price |
|---------|-----------------------------------|------------|
| VF-38 | Siphon Tube 5 1/2" cut to fit (6) | 7.45 |

Airbrush Hoses

For Paasche Airbrushes Only



| Order # | Description Retail | Sale Price |
|---------------|------------------------------------|------------|
| 99 A-1/8-6 | 6 foot Braided Air Hose | 10.15 |
| 99 A-1/8-10 | 10 foot Braided Air Hose | 14.35 |
| 99 A-1/8-25 | 25 foot Braided Air Hose | 30.10 |
| 99 A-1/8-6MT | 6 foot Hose with Moisture Trap | 27.95 |
| 99 A-1/8-10MT | 10 foot Hose with Moisture Trap | 31.50 |
| 99 A-1/8-6Q | 6 foot Hose with Quick Disconnect | 23.10 |
| 99 A-1/8-10Q | 10 foot Hose with Quick Disconnect | 26.60 |
| 99 CH-10 | 10 Foot Coiled Hose | 14.65 |

Spray Gun Hoses

For Spray Guns, Compressors etc.

| Order # | Description Retail | Sale Price |
|---------------|--|------------|
| 99 HL-3/16-10 | Hose with 1/4 in NPT Both ends for Spray Guns, compressors | 17.05 |

Adapters for Airbrush Hoses



| Order # | Description Retail | Sale Price |
|----------|---|------------|
| 99 A-188 | Adapter, Iwata A/B to Paasche Hose Adapter, Paasche A/B to Iwata Hose | 5.60 |
| 99 A-202 | Adapter, Badger A/B to Paasche Hose | 5.55 |
| 99 A-151 | Adapter, Paasche A/B to Badger Hose | 5.60 |
| 99 M-66 | Adapter, Paasche AB to Badger Hose | 5.55 |

Accessories



| Order # | Description Retail | Sale Price |
|-----------|---|------------|
| 99-3A4 | O-ring for Hose(6) | 5.25 |
| 99 A-191 | Quick Disconnect Set | 13.95 |
| 99 A-192 | Quick Disconnect Male only | 3.95 |
| 99 H-006 | O-ring for QD | 2.29 |
| 99 R-75 | Regulator, gauge & moisture trap | 26.50 |
| 99 MT | Moisture trap (cut hose & install) | 14.95 |
| 99 QM-2 | Manifold 2 valves with 1/4" NPT Male Fittings | 20.25 |
| 99 HF-116 | Coupling: 1/4" NPT Male to 1/8" BSP Female | 6.95 |
| 99 HF-33 | Coupling: 1/4" NPT - Male to Male | 4.05 |

Dixie Airbrush Order Form

NEW MAILING ADDRESS

PO Box 1021
 Kenner, LA 70063-1021
 (504)-236-2163

Please be advised that no changes, additions or deletions can be made to your order once it has been processed for shipping. Please wait until you are sure that you order exactly what you want. If you have access to a copy machine, make a copy of this order sheet for your future use

Make Checks/Money Orders Payable to: "Dixie Airbrush"

Date _____ E-Mail Address: _____

Customer Name: _____

Street Address: _____

City _____ State _____ Zip _____

Phone # Home: () _____ Work: () _____

Check this box if paying by check/money order.

Credit Card # _____ - _____ - _____ Exp. _____ / _____

Name on Credit Card: _____ CC Security # _____

Credit Card Billing Address: _____

(if different from above) City _____ State _____ Zip _____

| Item Number | Qty | Description | Price | Total |
|-------------|-----|-------------|-------|-------|
| 1 | | | | 1 |
| 2 | | | | 2 |
| 3 | | | | 3 |
| 4 | | | | 4 |
| 5 | | | | 5 |
| 6 | | | | 6 |
| 7 | | | | 7 |
| 8 | | | | 8 |
| 9 | | | | 9 |
| 10 | | | | 10 |
| 11 | | | | 11 |
| 12 | | | | 12 |
| 13 | | | | 13 |
| 14 | | | | 14 |
| 15 | | | | 15 |
| 16 | | | | 16 |
| 17 | | | | 17 |
| 18 | | | | 18 |

No Minimum Order!

Shipping Charges

Orders from \$50.00 thur \$149.99.....\$ 12.95

Orders over \$150.00.....**FREE Shipping**

Minimum Order (Merchandise).....\$50.00

Shipping Charges quoted above for Continental US Only

Check this box if you do not require a signature for delivery.

Please Note: Dixie Airbrush will not be responsible for items lost if left without signature.

Subtotal _____

Sales Tax:

Louisiana residents, only
 All parishes, add 4.45% tax,
 except Orleans Parish, add 9.45%,
 Jefferson, add 9.25%
 and Harrahan 10.00%

Shipping Charges _____

TOTAL _____

NEW MAILING ADDRESS:

Dixie Airbrush

Mailing Address:
PO Box 1021
Kenner, LA 70063-1021

www.dixieart.com

dixieairbrush@aol.com

(504) 236-2163

NEW Shipping Charges - Lower 48
FREE
\$12.95
Orders over \$150.00
Orders \$50.00 - \$149.99
Minimum Merchandise Order \$50.00

NEW



4021 Improved Reducer



4021 Reducer has a slower evaporation rate compared to 4011 Reducer, which allows paints mixed with 4021 to flow and level better, enhancing the finish by reducing brush marks and spray irregularities. 4021 Reducer virtually eliminates tip-dry. Createx paints have much less tip-dry when thinned with 4021 Reducer compared to thinning with 4011 Reducer. Createx paints can be thinned generously with 4021 Reducer so colors spray well at reduced pressures without a stippled appearance, allowing colors to blend and transition seamlessly.

PLEASE READ! It Will Only Take A Few Moments

How much does delivery cost to addresses in lower 48 states

| | |
|--|---------|
| Orders \$50.00 (Minimum order) thru 150.00 | \$12.95 |
| Orders Over: \$150.00 or more | Free |
| Minimum Order (Merchandise)..... | \$50.00 |

Shipping

For other USA and International addresses, please contact us for a delivery quote.

How Long Does It Take To Process My Order?

We will make every attempt to process your order in 24 hours. However, please allow us 2-3 business days to process your order.

How Long Does It Take To Receive My Order After It Is Processed?

We utilize a variety of carriers. We ship via UPS, FedEx and USPS Priority Mail with in 7-10 days.

It is the carrier's responsibility for the time it takes to deliver your order. Please note that certain items are Drop Shipped directly from the manufacturer (marked D/S on your invoice). Please allow extra time for delivery of any dropped shipped items (shipping times vary by manufacturer).

What Payment Options Do I Have?

For the fastest service, use Visa, MasterCard, Discover, or American Express. Or you can mail a check or money order and must include driver's license number, telephone number and mailing address.

Prices are subject to change without prior notice. Typographical errors in this catalog are subject to correction

Returns:

All returns must have prior authorization from our customer service department and be in like-new condition when we receive them. We will refuse any unauthorized returns.

Merchandise returns must be shipped pre-paid freight and will be subject to a 20% restocking charge. Special order and drop-shipped items are not returnable, except for defects. We will gladly replace any defective items at no cost to you. No returns will be allowed after 30 days.

Please call us @ (504) 236-2163 to make sure you have the latest edition of this catalog. Store telephone hours: 9:30 am - 3:30 pm Central Time Zone, Monday - Friday.

Place your order 24 hours, 7 day a week, by visiting our main web site: www.dixieart.com -- It's safe, secure and quick.

Mail Orders - short of funds or over payments

Orders short of funds, we reserve the right to change quantities, sizes or delete items to match funds received. For any over-payment we receive, we will issue a Store Credit that can be used on the customer's next order. (a refund check will be issued if requested)

Louisiana residents (all parishes) are required to pay Louisiana Sales tax of 4.45% except Orleans 9.45%, Jefferson 9.20% & Harahan 10.00%