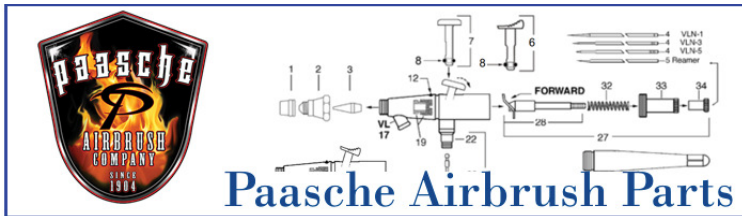


Dixie Airbrush

EQUIPMENT & SUPPLIES

JANUARY 2025 Edition



AIRBRUSH SUPPLIES

(504) 236-2163

Createx Airbrush Colors



Createx Airbrush Colors are most trusted brand of airbrush paints worldwide. Made with lightfast pigments and a supple acrylic resin perfect for fabric and textiles. Createx Airbrush Colors are designed for permanent results with a soft-hand feel on fabrics. Colors cure with the assistance of heat after drying. For maximum permanence, a top-coat should be applied over the paint after curing. (5601 Transparent Base is recommended top binder for fabrics)

Transparent Colors

Cover semi-opaque sprayed direct from the bottle. To increase transparency and for use with smaller tip-sizes and lower psi settings. thin with 4011 Reducer. To extend color mix with 5601 transparent base

Opaque Colors

Made for coverage. Colors cover opaque in 2 – 3 coats. Mix with 4030 Balancing Clear for improved adhesion & durability onto plastics and other hard surfaces

Fluorescent Colors

are NOT lightfast. Best applied over a color-keyed base like Auto Borne Sealer

Pearl & Iridescent Colors

Vivid colors with a shimmering effect especially in direct light. Cover semi-opaque. Best applied over white, grey or black base.

Important: Please specify which size you want by placing an "04", "16", "32" or "128" at the end of the order number. For example, AB 521204 would be a 4 oz. bottle of Opaque White

Pearl Colors Continued

Order #	Color Name
AB 5301	Pearl Purple
AB 5302	Pearl Magenta
AB 5303	Pearl Turquoise
AB 5304	Pearl Blue
AB 5305	Pearl Green
AB 5306	Pearl Copper
AB 5307	Pearl Satin Gold
AB 5308	Pearl Silver
AB 5309	Pearl Red
AB 5310	Pearl White
AB 5311	Pearl Pineapple
AB 5312	Pearl Tangerine
AB 5313	Pearl Lime
AB 5314	Pearl Plum
AB 5315	Pearl Black
AB 5316	Pearl Platinum
AB 5317	Pearl Lime Ice

Iridescent Colors

Best sprayed with an airbrush tip-size of 0.5mm at 35 – 45+ psi. Thin with 4011 Reducer 10% to 30% depending upon the airbrush tip-size, color type and technique. Iridescent Colors have a shift from a lighter hue on direct views to a dark hue on side-cast views.

Size	Retail	Sale
8 oz	23.25	17.65
128 oz	220.49	167.00

Order #	Color Name
AB 5501	Iridescent Red
AB 5502	Iridescent Scarlet
AB 5503	Iridescent Yellow
AB 5504	Iridescent Turquoise
AB 5505	Iridescent Electric Blue
AB 5506	Iridescent Violet
AB 5507	Iridescent Green
AB 5508	Iridescent Fuchsia

Pricing for Transparent, Opaque, Fluorescent

Size	Retail	Sale
8 oz	15.94	12.10
16 oz	29.65	22.00
32 oz	51.33	39.00
128 oz	150.40	114.00

Opaque Colors

Best sprayed with an airbrush tip-size 0.5mm at 35 – 45+ psi. Thin with 4011 Reducer 10% to 30% depending upon the airbrush tip-size, color type and technique.

Order #	Color Name
AB 5201	Opaque Blue
AB 5202	Opaque Purple
AB 5203	Opaque Lilac
AB 5204	Opaque Yellow
AB 5205	Opaque Lt. Green
AB 5206	Opaque Aqua
AB 5207	Opaque Sky Blue
AB 5208	Opaque Coral
AB 5210	Opaque Red
AB 5211	Opaque Black
AB 5212	Opaque White

Fluorescent Colors

Best sprayed with airbrush tip-sizes 0.3mm to 0.5mm at 25 – 40+ psi. Thin with 4011 Reducer 10% to 30% depending upon the airbrush tip-size, color type and technique.

Order #	Color Name
AB 5401	Fluorescent Violet
AB 5402	Fluorescent Raspberry
AB 5403	Fluorescent Blue
AB 5404	Fluorescent Green
AB 5405	Fluorescent Yellow
AB 5406	Fluorescent Magenta
AB 5407	Fluorescent Hot Pink
AB 5408	Fluorescent Red
AB 5409	Fluorescent Orange
AB 5410	Fluorescent Sunburst

Pearl Colors

Best sprayed with an airbrush tip-size of 0.5mm at 35 – 45+ psi. Thin with 4011 Reducer 10% to 30% depending upon the airbrush tip-size, color type and technique.

Size	Retail	Sale
8 oz	15.94	12.10
16 oz	30.51	22.69
128 oz	167.76	127.50

Transparent Colors

Best sprayed with airbrush tip-sizes 0.3mm to 0.5mm at 25 – 40+ ps. Thin with 4011 Reducer 10% to 30% depending upon the airbrush tip-size, color type and technique.

Order #	Color Name
AB 5102	Violet
AB 5103	Red Violet
AB 5105	Caribbean Blue
AB 5106	Brite Blue
AB 5107	Ultramarine Blue
AB 5108	Deep Blue
AB 5109	Brite Green
AB 5110	Forest Green
AB 5111	Aqua
AB 5112	Turquoise
AB 5113	Sunrise Yellow
AB 5114	Brite Yellow
AB 5115	Leaf Green
AB 5116	Tropical Green
AB 5117	Brite Red
AB 5118	Sunset Red
AB 5119	Orange
AB 5121	Flamingo Pink
AB 5122	Fuchsia
AB 5123	Burgundy
AB 5124	Deep Red
AB 5125	Peach
AB 5126	Sand
AB 5127	Light Brown
AB 5128	Dark Brown
AB 5129	Medium Gray
AB 5131	Tinting White
AB 5132	Tinting Black
AB 5133	Canary Yellow
AB 5134	Maui Blue
AB 5135	Purple
AB 5136	Red Oxide
AB 5137	Crimson
AB 5138	Carmine

Createx Airbrush Colors Sets

Transparent/Opaque Set

Transparent Brite Red, Brite Yellow, Brite Blue, Brite Green, Opaque Black & White

Order#	Retail	Sale
AB 5801-00	30.26	22.50

Opaque Set

Opaque Red, Blue, Light Green, Yellow, Black, White.

Order#	Retail	Sale
AB 5803-00	30.26	22.50

Fluorescent Set

Fluorescent Hot Pink, Orange, Violet, Green, Yellow, Raspberry.

Order#	Retail	Sale
AB 5802-00	30.26	22.50

Pearl Set

Pearl White, Gold, Silver, Blue, Green, Copper.

Order#	Retail	Sale
AB 5804-00	30.26	22.50

Transparent Tropical Set

Transparent Maui Blue, Canary Yellow, Tropical Green, Sand, Flamingo Pink, Brite Red.

Order#	Retail	Sale
AB 5810-00	30.26	22.50

Pearl Set #2

Pearl Lime, Pineapple, Plum, Tangerine, Magenta and Red

Order#	Retail	Sale
AB 5811-00	30.26	22.50

18 Color 2 oz Set

Transparent Orange, Brite Yellow, Brite Red, Brite Blue, Brite Green, Caribbean Blue, Violet, Sunset Red, Turquoise, Fuchsia, Peach, Forest Green, Dark Brown, Ultra Blue, Sunrise Yellow, Medium Grey, and Opaque Black & Opaque White.

Order#	Retail	Sale
AB 5813-01	91.59	67.95

12 Color 2 oz Set

Transparent Violet, Brite Blue, Brite Green, Brite Yellow, Brite Red, Orange, ark Brown, Fluorescent Hot Pink, Pearl Satin Gold, Opaque Black, Opaque White, Airbrush Cleaner.

Order#	Retail	Sale
AB 5814-01	61.42	45.50

Ken Lind Cool Set

8 2 oz Colors: Maui Blue, Caribbean Blue, Brite Blue, Deep Blue, Violet, Fluorescent Yellow, Opaque Black and Opaque White.

Order#	Retail	Sale
AB 5815-00	41.16	30.50

Ken Lind Warm Set

8 2 oz Colors: Brite Red, Fluorescent Pink, Red Violet, Burgundy, Fluorescent Orange, Brite Yellow, Opaque Black and Opaque White.

Order#	Retail	Sale
AB 5816-00	41.16	30.50

Fluorescent Color Set

10 2 oz Colors: All 10 Fluorescent Colors.

Order#	Retail	Sale
AB 5817-00	50.27	37.50

Available on Request: Createx Airbrush Colors Safety Data Sheet and Technical Data Sheets (User Guide)



Wicked Colors

Wicked Colors are multi-surface airbrush paints suitable for applications on hard /non-porous surfaces (automotive, plastics, wood) and soft / porous surfaces (textiles, drywall, canvass etc)
 They cover well out-of-the-bottle and their spray performance, transparency and adhesive properties can be enhanced with a variety of additives offered (4011 Reducer, 4013 Reducer, 4030 Balancing Clear, 4050 UVLS Gloss Clear) See Wicked Technical Data Sheet for addition details on Mixing and Spraying.
 They are universally compatible with all types of primers, paints and clears.
 Wicked Color now include the Former AutoAir Colors. [\[for cross reference list of AutoAir to Wicked Colors request copy\]](#)

Wicked Standard Colors
 Standard graphic colors that spray semi-opaque out-of-the-bottle Dry to a semi-gloss finish use 4011 Reducer for increased transparency and improved flow.

Wicked Detail Colors
 Compared to Standard Wicked Colors, Wicked Detail Colors are more transparent colors out of the bottle and less viscous. They dry to a matte finish and perfect for detailed graphic illustrations

Wicked Opaque Colors
 Solid colors with excellent coverage and for use as base color.

Metallic
 Metallic mica colors, aluminum flake and pigmented mica that cover semi-opaque.. Made with lightfast, automotive-grade pigments and exterior-grade acrylic resin.

Wicked Pearlized Colors
 Mother of Pearl - lightfast pigments

Wicked Fluorescent Colors
 The Fluorescent Colors are NOT lightfast. For best long-term color, apply fluorescent over a color-keyed base such as AutoBorne Sealers

Wicked Glow Base & Glow-in-the-Dark
 W210 UV Glow Base is a transparent UV effect solution for applying over colors or mixing colors for enhanced effect under UV light. Best used over, vivid colors such as Wicked Fluorescent Colors. W 210 Glow-in-the-Dark only produces effect under UV / black-light. For colors that glow in the dark after being "charged" under direct light, use W212 Wicked Glow in the Dark

Aluminum Bases
 Actual aluminum with unique properties separate from other Wicked Colors. They're highly reflective, making them an ideal base for candy colors. They also work excellent as a stand alone silver finish; incredibly brilliant, show quality finish.

4104 Quicksilver and Gold Chrome
 It is 6061-T6 Aluminum, a highly reflective, aircraft-grade aluminum.
 Do not reduce. Spray directly from the bottle around 20 psi inlet.
 Silver and Gold. Each color has incredible adhesion, capable of being applied direct to many substrates without the need for an adhesion promoter
 Apply directly to glossy, non-sanded surfaces such as powder-coat, urethane finishes, plastics, and any substrate.
 Apply over a gloss black or white non-sanded surface, in very, very light coats
 Apply QuickSilver over Gloss Black for a Chrome like finish.
 Apply Gold Chrome over a Gloss White base for a vivid, billet gold.
 Apply Gold Chrome over a Gloss Black base for a deep, orange-shade gold.

Hi-Lite Interference Accent pearl-flakes for subtle pearl effects in direct light. Hi-Lites are best applied in sparing amounts as a light pearl-coat applied over a base or mid-coat. Hi - Lites effects look similar to the pearlescent effect of fish scale (they're perfect for custom fish lures).

Hot Rod Sparkle Large Pearl flakes in a transparent base. Apply as a pearl mid-coat over a base color or directly mix with other Wicked Colors to create unique custom color creations.

Cosmic Sparkle
 Pearl flakes in a transparent base. Apply as a pearl mid-coat over a base color or directly mix with other Wicked Colors to create unique custom color creations. Cosmic Sparkle are smaller pearl-flakes which are the same found in many O.E.M. Automotive colors.

Flair Color-Shift
 Best applied over 6002 AutoBorne Sealer Black or a dark base. Soft flowing transition from one color into another. Example: Flair Tint Violet travels from lilac to silver to blue then into green.

Important: Please specify which size you want by placing an "04", "16", "32" or "128" at the end of the order number. For example, AB W00402 would be a 2 oz. bottle of Standard White

Pricing for Standard, Detail Colors, Fluorescent and Opaque Colors

Size	Retail	Sale
16 oz	25.75	18.95
32 oz	43.04	33.95
128 oz	153.95	123.00

Standard Colors

Order #	Color Name
AB W001	White
AB W002	Black
AB W003	Yellow
AB W004	Orange
AB W005	Red
AB W006	Violet
AB W007	Blue
AB W008	Deep Blue
AB W009	Pthalo Green
AB W010	Brown
AB W011	Golden Yellow
AB W012	Red Oxide
AB W013	Laguna Blue
AB W014	Grey
AB W015	Crimson
AB W016	Apple Green

Gloss Colors

Order #	Color Name
AB W017	Gloss White
AB W018	Gloss Black

Wicked Fluorescent Colors

Order #	Color Name
AB W019	Fluorescent Aqua
AB W020	Fluorescent Purple
AB W021	Fluorescent Raspberry
AB W022	Fluorescent Red
AB W023	Fluorescent Green
AB W024	Fluorescent Yellow
AB W025	Fluorescent Sunburst
AB W026	Fluorescent Pink
AB W027	Fluorescent Orange
AB W028	Fluorescent Blue
AB W029	Fluorescent Magenta

Wicked Detail Colors

Order #	Color Name
AB W050	Detail White
AB W051	Detail Black
AB W052	Detail Yellow
AB W053	Detail Scarlet
AB W054	Detail Orange
AB W055	Detail Violet
AB W056	Detail Red Violet
AB W057	Detail Blue Violet
AB W058	Detail Blue Green
AB W059	Detail Moss Green
AB W060	Detail Verdian
AB W061	Detail Cobalt Blue
AB W062	Detail Cerulean Blue
AB W063	Detail Carmine
AB W064	Detail Magenta
AB W065	Detail Yellow Ochre
AB W066	Detail Burnt Orange
AB W067	Detail Raw Sienna

Wicked Detail Colors Continued

AB W068	Detail Raw Umber
AB W069	Detail Burnt Umber
AB W070	Detail Sepia
AB W071	Detail Paynes Grey
AB W072	Detail Smoke Black
AB W073	Detail Driscoll Tone
AB W074	Detail Burnt Sienna
AB W075	Detail Black-Magenta
AB W076	Detail Fleshtone

Wicked Opaque Colors

Order #	Color Name
AB W030	White
AB W031	Jet Black
AB W080	Hansa Yellow
AB W081	Bismuth Vanadate Yellow
AB W082	Pyrrrole Orange
AB W083	Pthalo Red
AB W084	Pthalo Green
AB W085	Limelight Green
AB W086	Phthalo Blue
AB W087	Daylight Blue
AB W088	Dioxazine Purple
AB W089	Cream
AB W090	Red Oxide
AB W091	Yellow Oxide
AB W092	Brown Oxide
AB W093	Black Oxide
AB W094	Brunt Sienna
AB W095	Raw Sienna
AB W096	Burnt Umber
AB W097	Raw Umber
AB W098	Flat Black
AB W099	Teal
AB W109	Titan Bluff

Wicked UV Glow Base

Size	Retail	Sale
8 oz	26.68	19.65
16 oz	45.98	36.00
32 oz	93.04	75.00
128 oz	275.89	220.00

Order # Color Name
 AB W210 UV Glow Base

Wicked Glow-In-The-Dark

Size	Retail	Sale
8 oz	25.89	19.15
16 oz	44.65	34.80
32 oz	91.08	72.85
128 oz	267.87	214.00

Order # Color Name
 AB W212 Wicked Glow In The Dark

Wicked Pearl Colors

Size	Retail	Sale
16 oz	32.52	24.00
32 oz	65.32	52.00
128 oz	259.74	207.00

Order # Color Name
 AB W300 Pearl Black
 AB W301 Pearl White
 AB W302 Pearl Yellow
 AB W303 Pearl Red
 AB W304 Pearl Blue
 AB W305 Pearl Lime Green
 AB W306 Pearl Orange



Wicked Colors

Wicked Pearl Colors Continued

AB W307.....	Pearl Plum
AB W308.....	Pearl Green
AB W309.....	Pearl Teal
AB W310.....	Pearl Magenta
AB W311.....	Pearl Purple
AB W312.....	Pearl Silver
AB W313.....	Pearl Gold
AB W381.....	Pearl Brite Blue
AB W382.....	Pearl Electric Blue
AB W383.....	Pearl Electric Purple

Wicked Aluminum

	Retail	Sale
16 oz.....	32.52	24.00
32 oz.....	65.32	52.00
128 oz.....	259.74	207.00

Order #	Color Name
AB W354.....	Aluminum Medium
AB W355.....	Aluminum Fine
AB W356.....	Aluminum Coarse

Wicked Quicksilver & Gold Chrome

	Retail	Sale
16 oz.....	100.98	79.95
32 oz.....	194.39	155.50

Order #	Color Name
AB W357.....	Quicksilver
AB W358.....	Gold Chrome

Wicked Metallic Colors

	Retail	Sale
16 oz.....	32.52	24.00
32 oz.....	65.32	52.00
128 oz.....	259.74	207.00

Order #	Color Name
AB W350.....	Metallic Gold
AB W351.....	Metallic Silver
AB W352.....	Metallic Platinum
AB W353.....	Metallic Fastback Green
AB W359.....	Metallic Charcoal
AB W360.....	Metallic White (Fine)
AB W361.....	Metallic White (Coarse)
AB W362.....	Metallic Bronze
AB W363.....	Metallic Copper
AB W364.....	Metallic Blue Silver
AB W365.....	Metallic Burnt Orange
AB W366.....	Metallic Midnight Blue
AB W367.....	Metallic Elegance
AB W368.....	Metallic Charcoal-Viola
AB W369.....	Metallic Pewter
AB W370.....	Metallic Light Brown
AB W371.....	Metallic Dark Brown
AB W372.....	Metallic Rose

Available on Request: Createx Wicked Colors Safety Data Sheet and Technical Data Sheets (User Guide)

Wicked Metallic Actress Gold

	Retail	Sale
16 oz.....	74.87	55.40
32 oz.....	142.93	114.20
128 oz.....	519.75	415.00

Order #	Color Name
AB W373.....	Metallic Actress Gold

Wicked Hi-Lite Colors

	Retail	Sale
16 oz.....	32.52	24.00
32 oz.....	65.32	52.00
128 oz.....	259.74	207.00

Order #	Color Name
AB W400.....	Hi-Lite Gold
AB W401.....	Hi-Lite Orange
AB W402.....	Hi-Lite Red
AB W403.....	Hi-Lite Green
AB W404.....	Hi-Lite Blue
AB W405.....	Hi-Lite Purple

Wicked Hot Rod Sparkle Colors

	Retail	Sale
16 oz.....	80.94	59.90
32 oz.....	157.06	125.50
128 oz.....	596.05	475.00

Order #	Color Name
W420.....	Hot Rod Sparkle White
W421.....	Hot Rod Sparkle Spectrum
W422.....	Hot Rod Sparkle Gold
W423.....	Hot Rod Sparkle Blue
W424.....	Hot Rod Sparkle Green
W425.....	Hot Rod Sparkle Red
W426.....	Hot Rod Sparkle Purple

Wicked Cosmic Sparkle Colors

Size	Retail	Sale
16 oz.....	77.08	57.00
32 oz.....	149.58	119.50
128 oz.....	567.67	445.00

Order #	Color Name
AB W440.....	Cosmic Sparkle Silver
AB W441.....	Cosmic Sparkle Gold
AB W442.....	Cosmic Sparkle Red
AB W443.....	Cosmic Sparkle Copper
AB W444.....	Cosmic Sparkle Blue
AB W445.....	Cosmic Sparkle Green
AB W446.....	Cosmic Spar Autumn Red

Wicked Flair Color

	Retail	Sale
16 oz.....	85.41	76.30
32 oz.....	162.11	145.00
128 oz.....	617.56	545.00

Order #	Color Name
AB W450.....	Wicked Flair Tint Violet
AB W451.....	Wicked Flair Teal/Purple
AB W452.....	Flair Blue/Copper
AB W454.....	Flair Blue/Violet
AB W455.....	Flair Blue/Magenta

Wicked Flair Color Continued

AB W456.....	Flair Fuchsia/Gold
AB W457.....	Flair Blue/Turquoise
AB W458.....	Flair Green/Blue
AB W459.....	Flair Lemon/Lime

Wicked Flair Silver Spectrum

	Retail	Sale
16 oz.....	307.55	275.00
32 oz.....	615.10	549.00
128 oz.....	2,343.26	1,895.00

Order #	Color Name
AB W453.....	Flair Silver Spectrum

SETS

Wicked Primary Set

(6) 2 oz bottles - Black, Yellow, Red, Blue, Opaque White and Reducer
 Order Retail Sale
AB W101-00.....39.22.....29.00

Wicked Sample Set #2

(7) 2 oz bottles - White, Black, Red, Violet, Blue, Phthalo Green, Golden Yellow, Reducer
 Order Retail Sale
AB W102-00.....53.52.....39.50

Wicked Fluorescent Colors Set

(6) 2 oz bottles - Fluorescent Purple, Raspberry, Green, Yellow, Pink and Orange
 Order Retail Sale
AB W103-00.....41.59.....30.75

Wicked Secondary Set

(6) 2 oz bottles - Orange, Violet, Phthalo Green, Brown, Golden Yellow and Reducer
 Order Retail Sale
AB W104-00.....39.22.....29.00

Wicked Pearl Colors Set

(6) 2 oz bottles - Pearl Black, White, Blue, Lime Green Gold and Silver
 Order Retail Sale
AB W105-00.....43.56.....32.25

Wicked Detail Colors Sampler Set

(6) 2 oz bottles - Detail White - Detail Black - Detail Yellow - Detail Cobalt Blue - Detail Carmine and Reducer
 Order Retail Sale
AB W110-00.....39.22.....29.00

Wicked Detail Colors Flesh Tone Set

(6) 2 oz bottles - Detail Moss Green, Detail Carmine, Detail Smoke Black, Detail Flesh Tone, Detail Violet and Reducer
 Order Retail Sale
AB W111-00.....39.22.....29.00

Wicked Pro Set

1 ea 2oz: W051 Detail Black, W052 Detailed White, W052 Detail Yellow, W053 Detail Scarlet, W054 Detail Orange, W055 Detail Violet, W056 Detail Red Violet, W057 Detail Blue Violet, W059 Detail Moss Green, W060 Detail Viridian, W061 Detail Cobalt Blue, W068 Detail Raw Umber, W070 Detail Sepia, W074 Detail Burnt Sienna and 2 ea 2oz: W030 Opaque White
 Order# Retail Sale
AB W112-00.....106.28.....79.00

Wicked Kent Lind Warm Colors Set

(8) 2 oz bottles - Red, Brown, Crimson, Detail White, Detail Black, Detail Yellow, Detail Orange and Detail Magenta
 Order Retail Sale
AB W113-00.....60.47.....44.50

Wicked Kent Lind Cool Colors Set

(8) 2 oz bottles - Violet, Deep Blue, Laguna Blue, Detail White, Detail Black, Detail Blue Green, Detail Verdian and Detail Cobalt Blue
 Order Retail Sale
AB W114-00.....60.47.....44.50

Wicked Opaque 12 Color Set

(12) 2oz bottles- White, Jet Black, Hansa Yellow, Bismuth Vandate Yellow, Pyrrole Orange, Pyrrole Red, Phthalo Green, Limelight Green, Phthalo Blue, Daylight Blue, Dioxazine Purple, Cream
 Order Retail Sale
AB W130-02.....83.14.....62.00

Wicked Opaque Primary Set

(2) 2oz bottles- Op. White, Jet Black, Hansa Yellow, Pyrrole Red, Lime light Green, Phthalo Blue
 Order Retail Sale
AB W131-02.....41.57.....31.00

Wicked Essential Pearl Set

(6) 2 oz bottles - Pearl Yellow, Red, Orange, Plum, Brite Blue, and Metallic White - fine
 Order Retail Sale
AB W132-02.....43.58.....32.50

Wicked Metallic Galaxy Set

1 ea 2oz: W361 Metallic White (Coarse), W362 Metallic Bronze, W353 Metallic Copper, W354 Metallic Blue Silver, W366 Metallic Midnight Blue, W367 Metallic Elegance, W368 Metallic Charcoal Viola, W369 Metallic Pewter, W370, Metallic Light Brown, W371 Metallic Dark Brown, W372 Metallic Rose W373 Actress Gold.
 Order Retail Sale
AB W133-02.....90.42.....67.75

Wicked Electric Tropics Set

1 ea 2oz: W305 Pearl Lime Green, W306 Pearl Orange, W309 Pearl Teal, W310 Pearl Magenta, W382 Pearl Electric Blue, W383 Pearl Electric Purple
 Order Retail Sale
AB W134-02.....43.58.....32.65

Additional Wicked Sets see Page 5 & 8



candy2o / AutoBorne Sealers

candy2o Colors True Candy Performance

100% transparent, water-based color made with aniline dyes.

candy2o are water-based, aniline dye color concentrates intended for mixing with a carrier such as 4050 UVLS Gloss Clear. candy2o are metal-complex dyes, which are light-fast stable and suitable for exterior applications such as automotive refinishing. While not lightfast like a pigment-based color, are not fugitive like a fluorescent and will last for many years with limited exposure to direct light, such as a candy paint job on a car or motorcycle that is driven and parked outside on sunny days, but otherwise garaged. candy2o's dye type, metal complex, is more light-stable compared to other dye-types, both solvent-based and water-based. candy2o are concentrated and appear dark in solution. After top-coated with a gloss clear, appear bright & vibrant over a metallic base, and the 100% transparent nature of the color will be apparent. 4050 UVLS Gloss is the recommended carrier for candy2o. Airbrush - 4050 1:1 candy2o, thin ~ 10% 4011 Reducer Spray-Gun - 4050 6:1 candy2o, no thinning. Createx recommend a top-coat with a Automotive - 2k, solvent-based, urethane clear for a deep wet look shine

candy2o Colors

Size	Retail	Sale
8 oz	28.05	20.95
16 oz	53.86	39.95
32 oz	110.15	83.50

Order #	Color Name
AB 4650	Blood Red
AB 4651	Sunset Magenta
AB 4652	Tequila Yellow
AB 4653	Lemon Yellow
AB 4654	Grabber Orange
AB 4655	Marine Blue
AB 4656	Midnight Blue
AB 4657	Caribe Blue
AB 4658	Ultra Violet
AB 4659	Deep Purple
AB 4660	Poison Green
AB 4661	Emerald Green
AB 4662	Dirt track Brown
AB 4663	Red Oxide
AB 4664	Black
AB 4665	Brandywine
AB 4666	Tealiscious

candy2o Color Sets

candy2o Primary Set

Contains 1 x 4650 Blood Red, 4652 Tequila Yellow, 4654 Grabber Orange, 4655 Marine Blue, 4660 Poison Green, 4050 UVLS Gloss Clear

Order#	Size	Retail	Sale
AB 4680-00	2oz	53.93	39.95

candy2o Sampler Set

Contains 1 each 4650 Blood Red, 4652 Tequila Yellow, 4655 Marine Blue, 4050 UVLS Gloss Clear

Order#	Size	Retail	Sale
AB 4682-00	2 oz	34.86	26.00
AB 4967-A	4 oz	55.99	41.95

candy2o Hobby Set

Contains 1 each 2oz bottle of: 6013 AutoBorne Sealer Silver, 4011 Reducer, 4650 Blood Red, 4653 Lemon Yellow, 4657 Caribe Blue, 4050 UVLS Gloss Clear

Order#	Size	Retail	Sale
AB 4682-01	2 oz	45.99	34.40

candy2o Color Sets Continued

candy2o Warm Set

Contents: 1 each 4650 Blood Red, 4652 Tequila Yellow, 4654 Grabber Orange, 4655 Marine Blue, 4659 Deep Purple, 4050 UVLS Gloss Clear

Order #	Size	Retail	Sale
AB 4967-B	4 oz	86.74	65.00

candy2o Cool Set

Contents: 1 each 4 oz: 4650 Blood Red, 4653 Lemon Yellow, 4656 Midnight Blue, 4658 Ultra Violet, 4661 Emerald Green, 4050 UVLS Gloss Clear

Order #	Size	Retail	Sale
AB 4967-C	4 oz	86.74	65.00

candy2o Real Fire Set

Set Includes: 4230 Transparent White 650 Blood Red, 4652 Tequila Yellow, 4653 Lemon Yellow, 4654 Grabber Orange, 4011 Reducer, 4050 UVLS Gloss Clear

Order#	Size	Retail	Sale
AB 4970-01	2 oz	54.95	41.20
AB 4970-02	4 oz	85.05	63.79

candy2o Box Set - Warm

Set Includes: 1 each 4650 Blood Red, 4651 Sunset Magenta, 4652 Tequila Yellow, 4654 Grabber Orange, 4655 Marine Blue, 4659 Deep Purple, 4660 Poison Green, 4664 Black, 6013 AutoBorne Silver Sealer, 4011 Reducer, (2 ea.) 4050 UVLS Gloss Clear

Order#	Size	Retail	Sale
AB 4967-D	4 oz	160.50	120.00

candy2o Box Set - Cool

Set Includes: 1 each 4 oz. 4653 Lemon Yellow, 4656 Midnight Blue, 4657 Caribe Blue, 4658 Ultra Violet, 4661 Emerald Green, 4662 Dirt Track Brown, 4663 Red Oxide, 4664 Black, 6013 AutoBorne Silver Sealer, 4011 Reducer, (2 ea.) 4050 UVLS Gloss Clear

Order#	Size	Retail	Sale
AB 4967-E	4 oz	160.50	120.00

Safety Data Sheets (SDS)

Available on Request. Safety Data Sheets automatically sent to all Correction, Government & Educational Facilities

AutoBorne Sealers

AutoBorne Sealer ("Sealer") is sealer-primer intended for use as the starting ground coat when painting hard, non-porous surfaces. Sealer has excellent adhesion and dries to a hard coating over which Createx paints cover quickly, dry fast and level for a flat finish without texture. Sealer is compatible with all Createx paints, as well as other paint types, and is recommended for all applications except when painting fabric, paper and canvas. 6000 Transparent Sealer is a clear primer-sealer. Use as inter-coat clear, flake carrier and adhesion promoter for most plastics including polycarbonate. 6013 Silver Sealer is the ground coat for Metallic Colors, Silver and candy2o Thin with 4011 Reducer: Spray Guns 5% - 10% per volume Airbrush 0.5mm tip size or large 10% - 25%

AutoBorne Colors

Size	Retail	Sale
8 oz	26.52	20.50
16 oz	35.39	26.50
32 oz	70.54	53.50
128 oz	261.04	198.00

Item	Color Name
AB 6001	Sealer White
AB 6002	Sealer Black
AB 6003	Sealer Grey
AB 6004	Sealer Yellow
AB 6005	Sealer Orange
AB 6006	Sealer Red
AB 6008	Sealer Blue (Green Shade)
AB 6009	Sealer Process Blue
AB 6010	Sealer Green
AB 6011	Sealer Tan
AB 6012	Sealer Burgundy

AutoBorne Clear Sealer

Is a clear primer-sealer. Use as Adhesion promoter. Apply 6000 direct to most plastics. For difficult to paint plastics, Clear for mixing with dry pearl & metal flake. Apply as a pearl-inter-coat

Size	Retail	Sale
8 oz	19.92	15.50
16 oz	26.53	19.90
32 oz	52.95	40.25
128 oz	195.87	148.85

Item	Color Name
AB 6000	Transparent Clear Sealer

AutoBorne Silver Sealer

6013 Silver Sealer is ground coat for Aluminum Colors W354 - W356 and other Silvers

Size	Retail	Sale
8 oz	27.85	21.70
16 oz	37.16	27.85
32 oz	70.54	53.50
128 oz	261.04	198.00

Item	Color Name
AB 6013	AutoBorne Silver Sealer

Auto Borne Sets

AutoBorne Sealer Primary Set

Contents: 1 each: 4 oz. 6001 White, 6002 Black, 6004 Yellow, 6006 Red, 6008 Blue (GS), 4011 Reducer

Order #	Size	Retail	Sale
AB 6100-04		56.05	42.00

Technical Data Sheets

Available upon request

- Createx Airbrush Colors TDS
- Wicked Colors TDS
- Illustration Colors TDS
- AutoBorne Sealer TDS
- candy2o TDS
- 4008 Airbrush Restorer TDS
- 4011 Reducer TDS
- 4013 Reducer TDS
- 4020 Automotive Reducer TDS
- 4030 Balancing Clear TDS
- 4040 Bleed Checker TDS
- 5618 Airbrush Cleaner TDS
- Transparent Base - 4004,6000 TDS
- Createx Clear Coats 5620-22 TDS
- Createx UVLS Clears 4050-53 TDS

Additional Createx Color Sets

Wicked Flair Set

1 ea 2oz: W454 Flair Blue/violet, W455 Flair Blue/Magenta, W456 Flair Fuchsia/gold, W457 Flair Blue/Turquoise, W458 Flair Green/Blue, W459 Flair Lemon/Lime.

Order#	Size	Retail	Sale
AB W135-02	2 oz	63.67	47.90

candy2o Complete Set

1 ea. 2 oz: 4650 Blood Red, 4651 Sunset Magenta, 4652 Tequila Yellow, 4653 Lemon Yellow, 4654 Grabber Orange, 4655 Marine Blue, 4656 Midnight Blue, 4657 Caribe Blue, 4658 Ultra Violet, 4659 Deep Purple, 4660 Poison Green, 4661 Emerald Green, 4662 Dirt Track Brown, 4663 Red Oxide, 4664 Black, 4665 Brandywine, 4666 Tealiscious, 4011 Reducer, 4050 UVLS Gloss Clear, 4040 Bleed Checker

Order#	Size	Retail	Sale
AB 4681-01	2 oz	181.09	135.00

Quicksilver Chrome - candy2o Box Set

1 ea 2oz: 4650 Blood Red, 4659 Deep Purple, 4651 Sunset Magenta, 4652 Tequila Yellow, 4653 Lemon Yellow, 4654 Grabber Orange, 4656 Midnight Blue, 4657 Caribe Blue, 4659 Deep Purple, 4660 Poison Green, 4661 Emerald Green, 4662 Dirt Track Brown, 4664 Black, 4666 Tealiscious.,

1 ea 4 oz. Wicked Colors: W357 Quicksilver, W018 Gloss Black, 1 ea. 4 oz. Additives: 4011 4011 Reducer, 4050 UVLS Gloss Clear, 4040 Bleed Checker

Order#	Retail	Sale
AB 4997-02	186.410	139.00

Additional Wicked Sets on Page 4

Additional Createx Box Sets on Page 8

Reducers, Mediums & Additives

for all Createx Products except where noted



Createx Colors Mediums for Createx Colors Only

Matte Top Coat

Matte Top Coat Clears are light protective clears best used for textile, fabric and light hobby. They are not recommended for exterior or outdoor use. Top Coat Clears are supple after drying, better suited for fabric. Heat-set after the Top Coat Clear dries for washfast results on t-shirt and fabrics. Thin Matte Top-Coat ~ 10% per volume with 4011 Reducer.

Order#	Size	Retail	Sale
AB 5603 08	8 oz	10.31	7.79
AB 5603 16	16 oz	17.18	12.89
AB 5803 32	32 oz	32.47	24.65

Gloss Top Coat

Gloss Top Coat Clears are light protective clears best used for textile, fabric and light hobby. They are not recommended for exterior or outdoor use. Top Coat Clears are supple after drying, better suited for fabric. Heat-set after the Top Coat Clear dries for washfast results on t-shirt and fabrics. Thin Gloss Top-Coat ~ 10% per volume with 4011 Reducer.

Order#	Size	Retail	Sale
AB 5604 08	8 oz	10.31	7.79
AB 5604 16	16 oz	17.18	12.89
AB 5604 32	32 oz	32.47	24.65

Opaque Base

Add to colors to reduce color values or to increase opacity (It may negate the Special effects characteristics of certain colors.) Add small amounts to color until desired result is achieved (up to 25%). Also a great base color for black t-shirts

Order #	Size	Retail	Sale
AB 5602 16	16 oz	12.47	9.35
AB 5602 32	32 oz	22.96	17.45

Transparent Base

Transparent Base is the paint without pigments. Appears milky in solution, dries clear Recommended for use with all Createx Airbrush Colors Only. Add to colors to increase transparency without lessening resin load, for example when making a stain or wash. Apply over colors for a light, protective coating. 5601 is textile specific. Best used for textiles & Fabrics, leather and other flexible porous substrates. And dries to a softer coating compared to other Transparent Bases. Apply 5601 to t-shirt before painting to prevent fabric nap from interfering with painting and improve coverage of colors.

Order#	Size	Retail	Sale
AB 5601 08	8 oz	9.70	7.35
AB 5601 16	16 oz	12.47	9.35
AB 5601 32	32 oz	22.96	17.45

Reducers

for all Createx Products except as Noted

4011 Reducer

4011 is a water-based thinner used to lower viscosity and promotes faster drying times and complete curing.. 4011 is generally added 5% - 10% per volume to paint. 4011 is less aggressive and safer to over-reduce paint with without seeding paint. 4011 assists drying times by flashing water from the paint. 4011 also helps reduce tip-dry better than diluting with water. Intended for use with all Createx Colors paints. .

Order#	Size	Retail	Sale
AB 4011 08	8 oz	14.53	11.30
AB 4011 16	16 oz	18.84	14.70
AB 4011 32	32 oz	32.40	25.90

4021 NEW IMPROVED Reducer

4021 Reducer is a dilutant used for thinning waterbased paint. 4021 Reducer appears clear in the bottle and does not affect color when mixed with paints. Comparison to 4011 Reducer and other thinners 4021 Reducer has a slower evaporation rate compared to 4011 Reducer, which allows paints mixed with 4021 to flow and level better, enhancing the finish by reducing brush marks and spray irregularities. 4021 Reducer virtually eliminates tip-dry. Createx paints have much less tip-dry when thinned with 4021 Reducer compared to thinning with 4011 Reducer. 4021 is generally added 10% - 30% per volume to paint.

Order#	Size	Retail	Sale
AB 4021 08	8 oz	14.53	11.30
AB 4021 16	16 oz	18.84	14.70
AB 4021 32	32 oz	32.40	25.90

4013 Reducer

4013 Reducer is a new thinner which is complaint with jurisdictions including South Coast AQMD Rule 1401. 4013 Reducer can be used as substitute for 4012. Assists drying times by flashing water from the paint. Reduces tip-dry, and decreases paint viscosity "thins it" for improved flow and atomization, especially when airbrushing. Generally added 5 - 10% per volume **FLAMMABLE!** The isopropyl alcohol in 4013 Reducer is classified as a flammable substance. Store in a fire-proof cabinet.

Order#	Size	Retail	Sale
AB 4013 08	8 oz	14.67	11.45
AB 4013 16	16 oz	19.02	14.80
AB 4013 32	32 oz	32.73	26.19

4020 Reducer

4020 assists drying and curing in humid conditions. 4020 is a specialty additive, not to replace 4011 the standard dilutant for all Createx Colors paint. 4020 works best by mixing with 4011 to create a cocktail dilutant. Diluting Createx paints with 4020 alone is not recommended as paint may prematurely cure, seed in the cup and create cured paint particle contaminants. Contains Acetone and Glycol Ethers. Use only in controlled spray environments with adequate ventilation and a NIOSH / MSHA approved respirator. For optimized performance, after adding 4013/4020 Reducer, allow 10 or more minutes before spraying to allow Reducer to acclimate with the paint.

Order#	Size	Retail	Sale
AB 4020 08	8 oz	17.00	13.25
AB 4020 16	16 oz	22.25	17.35
AB 4020 32	32 oz	37.90	29.95

Airbrush Cleaning Products

Airbrush Cleaner

Airbrush Cleaner is a Highly concentrated nontoxic water based cleaner that thoroughly cleans water based paints from all airbrushes. Helps maintain proper working condition of airbrush or spray-gun by preventing build-up of dried paint.

Order#	Size	Retail	Sale
AB 5618 08	8 oz	9.24	6.99
AB 5618 16	16 oz	12.12	9.05
AB 5618 32	32 oz	22.30	16.95

Airbrush Restorer

A water-based, biodegradable cleaner used for soaking airbrush and spray-gun parts after painting. Partially dissolves dried paint allowing for easy clean-up with soap & water. Use as a soak for metallic parts: nozzle, needle, cup. Re-Usable. Keep in metal or ceramic container. Flush airbrush or spray-gun with water after cleaning with 4008. Even trace amounts of 4008 will affect paint.

Order#	Size	Retail	Sale
AB 4008 16	16 oz	22.29	17.39

Reducers, Mediums & Additives

for all Createx Products except where noted



Additives

4030 Balancing Clear

**** Not for Use with AutoAir AutoBorne Sealers ****

Water-based, non-catalyze polyurethane clear used as a mix additive for Improved spray performance, flow, adhesion and leveling. Mix 4030 with any Createx Colors paint 10 - 25% per volume or more. 4030 works as an adhesion promoter when mixed with Createx Colors, perfect for direct application to plastics, vinyl and most any hard to paint surface.

Wicked Colors dry to a much more durable coating when mixed with 4030 Balancing Clear. 4030 Balancing Clear appears milky in solution and dries clear
4030 is recommend carries for candy2o on soft surfaces (4050 Gloss for Hard Surfaces)

Order #	Size	Retail	Sale
AB 4030 08	8 oz	19.07	14.85
AB 4030 16	16 oz	35.90	27.95
AB 4030 32	32 oz	70.69	56.50
AB 4030 12	Gallon	269.61	214.00

4040 Bleed Checker

**** Primarily For Use with AutoAir candy2o Colors ****

4040 Bleed Checker is a hybridized, urethane-acrylic clear used as an inter-coat intended for application over candy2o to prevent the candy2o's dyes from bleeding into top-coated colors.

Apply 4040 Bleed Checker over candy2o as an inter-coat. After 4040 has thoroughly dried (30 - 60 minutes), other colors including subsequent candy2o colors may be applied direct without scuffing. 4040 will prevent the underlying candy2o's dye from leaching ("bleeding") into the top-coated colors.

Apply 4040 Bleed Checker unreduced, straight from the bottle when applying as an inter-coat over candy2o.

Order #	Size	Retail	Sale
AB 4040 08	8 oz	22.44	17.50
AB 4040 16	16 oz	41.51	32.30
AB 4040 32	32 oz	82.47	65.50

4004 Transparent Base

**** For Use with Wicked Colors Only ****

4004 Transparent Base is the colorless resin base to Wicked Colors. 4004 appears milky in solution yet dries clear. 4004 works as a low-build inter-coat, transparent extender for colors and as a non-reactive barrier to prevent bleeding when using candy2o. T-shirt painter may also wish to apply a light coat or two of 4004 onto the fabric prior to painting to lock down any fabric nap.

Order #	Size	Retail	Sale
AB 4004 08	8 oz	10.99	8.55
AB 4004 16	16 oz	20.09	15.65
AB 4004 32	32 oz	36.01	28.80
AB 4004 12	Gallon	139.10	111.25

AutoBorne Transparent Sealer

The colorless resin base to Wicked Colors and Auto Air Colors, Recommended for use with all Createx paints. Automotive-grade, Createx's most durable Transparent Base. Excellent adhesion promoter. Apply direct to any plastic for adhesion prior to applying colors. Self-levels & dries quickest of all Transparent Bases. Excellent adhesion promoter. Apply direct to any plastic for adhesion prior to applying colors.

Order #	Size	Retail	Sale
AB 6000 16	16 oz	26.53	19.90
AB 6000 32	32 oz	52.95	40.25
AB 6000 12	Gallon	195.87	148.85

Flexible Adhesion Promoter

5092 Adhesion Promoter is a water-based clear used to make Illustration and Bloodline Colors and other water-based paints stick to latex. Also works as an adhesion promoter for flexible plastics, leather, vinyl and more. Apply 2 medium coats direct to the surface, allow each coat to dry 10 - 15 minutes then apply paint. Avoid applying dry or overly wetter, adhesion is best applied as a medium coat.

May also be mixed with colors and applied direct to the latex. 5092 is added about 25% per vol. to colors, which are then thinned 5% - 10% with 4011 Reducer.

Order #	Size	Retail	Sale
AB 5092 08	8 oz	22.44	16.95
AB 5092 16	16 oz	42.64	31.95
AB 5092 32	32 oz	86.59	65.80

Clear Coats

For application over any Createx Color Paints

Createx Clear Coat

A water-based, acrylic clear for application over any Createx Colors paints. Durable, for both interior and light exterior use. Not automotive-grade. Appears milky in solution and dries to a transparent coating.

Reduce 5 - 10% 4011 Reducer. Apply with either airbrush or spray-gun

Size	Retail	Sale
8 oz	19.07	14.50
16 oz	35.90	26.90
32 oz	70.69	53.70
Gallon	270.96	205.00

Order #	Color Name
AB 5620	Gloss Clear Coat
AB 5621	Satin Clear Coat
AB 5622	Matte Clear Coat

Createx UVLS Clears

UVLS (Ultra-Violet Light Stabilizer) clears are water-based, architectural-grade clears made for interior and exterior applications. UVLS Clears are made with an acrylic - aliphatic polyurethane resin which is exceptionally durable with excellent adhesion. Clears are durable and do not yellow over time.

4050 Gloss Clear is an excellent adhesive primer for direct application to any substrate other than silicone.

4050 Gloss Clear is the recommended carrier for candy2o Colors on Hard Surfaces and then reduce with 4011 Reducer as needed

Size	Retail	Sale
8 oz	22.44	17.50
16 oz	40.87	31.85
32 oz	77.83	62.25
Gallon	282.98	228.00

Order #	Color Name
AB 4050	Gloss Clear Coat
AB 4051	Satin Clear Coat
AB 4052	Matte Clear Coat
AB 4053	High Gloss Clear Coat

Accessories / Createx Sets



Nylon Bottle Adapter

Bottle adaptor for 2 oz. and 4 oz. Bottles Createx Wicked & Auto Air bottles. Remove the flip cap and simply screw on the adaptors. Won't rust, saves space. Works with most siphon feed airbrushes.

Item #	Description	Retail	Sale
AB 5701-01	Bottle Adapter 3 Pack	9.65	9.15
AB 5701-06	Bottle Adapter 6 Pack	17.37	16.50
AB 5701-12	Bottle Adapter 12 Pack	29.59	28.00

Mustard Cap

Same cap as on Illustration Colors for easy to adjust color flow. Fits 1 oz, 2 oz and 4 oz Createx bottles only.

Item #	Description	Retail	Sale
AB 5702-11	Mustard Caps 12 ea	1.92	1.80

Empty Bottles

Empty Clear Bottles (Not Solvent Proof) with Flip tops

Item #	Description	Retail	Sale
AB 5702-02	2 oz Bottle with flip cap	1.56	1.45
AB 5702-04	4 oz Bottle with flip cap	1.68	1.55

V-Tape

Created by Vandemon, V-Tape is single coated, stabilized crêpe paper with thin lacquer edge for exact color separation in curves, lines and uneven surfaces. It is easy to apply and it will not lift up.

1/16" x 55 yards

Item #	Description	Retail	Sale
AB 4872-00	V-Tape - 1 ea	12.00	11.49
AB 4872-12	V-Tape - 12 ea	144.00	134.00

Craig Fraser's Franken- Steam Box Set

The Frankensteam kit contains all the paint products necessary to recreate the Steampunk "Frankie". You'll have 2 Artool Steampunk FX Stencils to help your Artistic debauchery. A Complete photo of the Frank and a line drawing of the concept art is also included.

1 ea 4 oz. - Additives: 4050 UVLS Gloss Clear, 4011 4011 Reducer, 4040 Bleed Checker, W357 Quicksilver Chrome
1 ea 2 oz. Illustration Colors: 5051 Black 5050 White, 5037 Bloodline Injury Ochre, 5041 Bloodline Vascular Violet, 5045 Bloodline Decay, 5040 Bloodline Coagulated Crimson, 5047 Bloodline Diseased Umber, 5048 Bloodline Surgery Sienna.
1 ea. 2 oz. candy2o Colors: 4650 Blood Red, 4653 Lemon Yellow, 4657 Caribe Blue, 4661 Emerald Green, 4662 Dirt Track Brown, 4664 Black.

1 ea. of the following: FrankenSteam Color Print, FrankenSteam Line Drawing, Craig Fraser Artool Steampunk Stencil Set w/info card, Gear Head Stencil by Gerald Mendez.

Order #	Retail	Sale
AB 4999-02	186.10	139.00

Gerald Mendez Art Studio Color Box Set

The Gerald Mendez Art Studio Set is an all in 1 training set in a box. Including a complete How-To for a Aztec Mask, line drawing for transfer, Artool Texture FX Template, Aztec Mask How-to by Gerald Mendez instructions and all the colors in candy2o and Illustration Colors needed to achieve this masterpiece. Set Contains: 2 ea 2oz: 4050 UVLS Gloss Clear

1 ea 2 oz: 4020 Reducer, 4004 Tranparen Base, 4011 Reducer
1 ea candy2o Candy Dyes 2oz: 4650-02 Blood Red, 4652-02 Tequila Yellow, 4653-02 Lemon Yellow, 4654-02 Grabber Orange, 4655-02 Marine Blue, 4657-02 Caribe Blue, 4659-02 Deep Purple, 466-021 Emerald Green, 4662-02 Dirt Track Brown

1 ea Createx Illustration Colors 2oz: 5050-02 White, 5051-02 Black, 5052-02 Yellow, 5053-02 Scarlet, 5059-02 Cobalt Blue Plus 12 Mustard Caps
1 each of the following: How-to brochure. Aztec Mask Line Drawing, Artool Texture FX Template

Order #	Retail	Sale
AB 4969-A	162.698	122.00

Cory St. Clair Signature Set

The Cory Saint Clair Signature Set is an all in 1 portrait/Fleshtone training set in a box, Colors include Illustration, Wicked and candy2o, color use guide and a few of Cory's tips and favorite uses for colors.

Kit Contains the following:
2 ea 2 oz of: 4011-02 4011 Reducer
1 ea 2oz of: 4004-02 Transparent Base, 4050 UVLS Gloss Clear
1 ea candy2o Dye Colors: 4650-02 Blood Red, 4653-02 Lemon Yellow, 4655-02 Marine Blue, 4664-02 Black
6 ea Precision caps
1 ea Illustration Colors: 5050-02 White, 5051-02 Black, 5037-02 Bloodline Injury Ochre, 5039-02 Bloodline Blood Red, 5048-02 Bloodline Surgery Sienna
1 ea Wicked Colors 2oz: W007-02 Wicked Blue, W009-02 Wicked Phthalo Green, W052-02 Detail Yellow, W068-02 Wicked Raw Umber, W075-02 Detail Black Magenta, W076-02 Universal Fleshtone

Order #	Retail	Sale
AB 4959-A	152.77.88	114.00

Safety Data Sheets Available upon request:

- 4004 Transparent Base SDS
- 4008 Airbrush Restorer SDS
- 4011 Reducer SDS
- 4020 Reducer SDS
- 4030 Balancing Clear SDS
- 4040 Bleed Checker SDS
- 5092 Flex Additive SDS
- 7040 Adhesion Promoter SDS
- 5618 Airbrush Cleaner SDS
- 5620 - 5622 Clear Coat SDS
- AutoBorne Sealers SDS
- candy2o No Prop 65 SDS
- Createx Airbrush Colors SDS
- Illustration Colors SDS
- Wicked Colors SDS
- Wicked Pearl Flake Colors SDS
- Wicked Opaque Colors SDS
- Wicked Quicksilver/Gold SDS
- UVLS Clears SDS

Also available:

Createx Textile, Leather and Flexible Substrates Guide

Createx Hard-Surface & Automotive Application Guide

AutoAir Colors are now Wicked Colors

Transparent Colors <i>See new</i> Wicked Standard & Detail Colors	Iridescent Colors <i>See new</i> Wicked Pearl Colors	Metallic Colors <i>See new</i> Wicked Metallic Colors	Cosmic Sparkle Colors <i>See new</i> Wicked Cosmic Sparkle Colors
Semi- Opaque Colors <i>Discontinued</i> Replaced with Wicked Opaque Colors	Aluminum Bases <i>See new</i> Wicked Aluminum	Hi-Lite Interference Colors <i>See new</i> Wicked Hi-Line Colors	Flair Color Shift Colors <i>See new</i> Wicked Flair Colors
Pearl Colors <i>See new</i> Wicked Pearl Colors	Quicksilver/Gold Platings <i>See new</i> Wicked Quicksilver/Gold Plating	Hot Rod Sparkle Colors <i>See new</i> Wicked Hot Rod Sparkle Colors	Sparklescent Colors <i>Discontinued</i>



Createx Illustration Colors

Illustration Colors are Createx's flagship airbrush paints designed for refined atomization and flow through the smallest of airbrush tip sizes, at low psi settings, without a stippled pattern when faded from a tint to a saturated color. Water-based Acrylic Resin, Lightfast Pigments, Archival Grade Paint Illustration Colors dry to a matte finish. Illustration Colors, Bloodline and Lifeline are transparent paints with no filler added and made with a saturated pigment volume for coverage out of the bottle. Illustration Opaque Colors have a higher pigment volume to create a more saturated color for increased coverage compared to other Illustration Colors. All Illustration Colors color-types are made with the same resin, perform similarly, and are collectively herein referred to as "Illustration Colors".
Soft Erasing Illustration Colors are unique in that the final cure is delayed for 48 hours, during which the colors may be "soft erased" for subtle manipulation. After this open cure window, Illustration Colors cure to a hard coating. (When mixed with 4030 Balancing Clear or 4050 UVLS Gloss Clear, Illustration Colors do not soft erase.)

Illustration Colors Pricing

Size	Retail	Sale
8 oz	21.04	15.95

Illustration Color

Item Number	Color
AB 5010	Berlin AB Colors Fire Red
AB 5011	Berlin AB Colors Bordeaux
AB 5012	Berlin AB Colors Frog Juice
AB 5050	White
AB 5051	Black
AB 5052	Yellow
AB 5053	Scarlet
AB 5054	Orange
AB 5055	Violet
AB 5056	Red Violet
AB 5057	Blue Violet
AB 5058	Viridian
AB 5059	Cobalt Blue
AB 5060	Cerulean Blue
AB 5061	Magenta
AB 5062	Burnt Umber
AB 5063	Sepia
AB 5064	Burnt Sienna
AB 5065	Moss Green
AB 5066	Paynes Grey
AB 5640	Ultramarine Blue
AB 5641	Pyrrrole Red
AB 5642	Pyrrrole Orange
AB 5643	Bismuth Vandate Yellow
AB 5644	Yellow Ochre
AB 5645	Teal
AB 5646	Titan Bluff
AB 5647	Yellow Green Oxide
AB 5648	Flat Black

Illustration Colors Opaque

Item Number	Color
AB 5068	Opaque White
AB 5078	Opaque Black

Illustration Color CMYK Colors

Item Number	Color
AB 5095	CMYK Cyan
AB 5096	CMYK Magenta
AB 5097	CMYK Yellow

Flexible Adhesion Promoter

A water-based primer for painting on latex masks so paint will not chip, crack or peel off. May be applied as a primer direct to latex as or mixed direct with Illustration Colors and other Createx Colors paints.:

Item No	Size	Retail	Sale
5092-08	8 oz	22.44	16.95
5092-16	16 oz	42.64	31.95
5092-32	32 oz	86.59	65.80

Tim Gore's Bloodline

Bloodline is part of Createx Illustration Colors, and is the latest artistic expressions for Tim Gore. This line of airbrush colors was specifically created by Tim Gore, with colors designed for the subtleties of painting everything from "hyper real" creatures, humanoids and monsters, latex masks, resin kits, and anything your imagination can come up with.

Notes: Can be used through small airbrushes with tip sizes down to 0.15 mm, at low psi.

Item Number	Color
AB 5035	Old Bone White
AB 5036	Dermatitis Tan
AB 5037	Injury Ochre
AB 5038	Infectious Pink
AB 5039	Blood Red
AB 5040	Coagulated Crimson
AB 5041	Vascular Violet
AB 5042	Deep Bruise Purple
AB 5043	Expired Blue
AB 5044	Code Blue
AB 5045	Decay
AB 5046	Blunt Trauma Umber
AB 5047	Diseased Umber
AB 5048	Surgery Sienna
AB 5049	Vile Green

Lifeline Colors

Lifeline Colors is an extension of the Tim Gore's Bloodline Series but in flesh tones.

Item Number	Color
AB 5016	Light Olive Gold
AB 5017	Olive Gold
AB 5018	Deep Olive Gold
AB 5019	Light Espresso
AB 5020	Espresso
AB 5021	Deep Espresso
AB 5022	Fair Blush
AB 5023	Blush
AB 5024	Deep Blush
AB 5025	Light Natural
AB 5026	Natural
AB 5027	Deep Natural
AB 5028	Natural Lip
AB 5029	Intrinsic Shade
AB 5030	Cool Tone

Illustration Transparent Base

Illustration Transparent Base is a colorless resin base of Createx Illustration Colors which serves a variety of functions. Transparent Base appears milky but dries to a clear matte finish: -- use as an inter-coat to lock down your color, -- use to increase transparency and help improve flow -- solvent-hybrid reducer that can be used to slow the drying time for better paint flow and less tip dry

Item No	Size	Retail	Sale
5090-08	8 oz	40.66	8.10

Illustration Sets

Illustration Color Wheel Set

Consists of 1 ea: White, Black, Yellow, Scarlet, Orange, Violet, Red Violet, Blue Violet, Viridian, Cobalt Blue, Cerulean Blue, Magenta, Burnt Umber, Sepia, Burnt Sienna, Moss Green, Transparent Base and 4011 Reducer

Order #	Size	Retail	Sale
5080-01	1oz Set	96.36	72.00
5080-00	2 oz Set	168.60	120.00
5080-08	8 oz Set	343.71	255.00

Illustration Color Primary Set

Set Consists of 1 ea White, Black, yellow, Scarlet, Cobalt Blue and 4011 Reducer

Order#	Size	Retail	Sales
5081-01	1oz Set	31.16	23.00
5081-00	2 oz Set	54.93	38.00

Illustration Colors Secondary Set

Set Consists of 1 ea: Orange, Violet, Burnt Umber, Burnt Sienna, Moss Green and 4011 Reducer

Order#	Size	Retail	Sale
5082-01	1 oz Set	34.16	23.00
5082-00	2 oz Set	54.93	38.00

Illustration Colors Box Set

Set Consists of 1 ea 1 oz : Black, Yellow, Scarlet, Orange, Violet, Red Violet, Blue Violet, Viridian, Cobalt Blue, Cerulean Blue, Magenta, Burnt Umber, Burnt Sienna, Sepia, Moss Green, Paynes Yellow. 2 oz: White, 4 oz: 4008 Restorer, 4011 Reducer, 4030 Balancing Clear

Order#	Size	Retail	Sale
5084-A	Set	431.84	98.00

Bloodline Master Set

All 15 colors plus Transparent Base and 4011 Reducer

Order#	Size	List Price	Your Price
5083-04	1 oz Set	90.83	68.00
5083-00	2 oz Set	154.05	112.00
5083-08	8 oz Set	323.75	239.00

Bloodline Type A-

Set Consists of 1 ea: Old Bone White, Code Blue, Injury Ochre, Blood Red, Blunt Trauma Umber, & 4011 Reducer

Order#	Size	List Price	Your Price
5083-05	1oz Set	34.16	23.00
5083-01	2 oz Set	54.93	38.00

Bloodline Type B+

Set Consists of 1 ea: Coagulated Crimson, Surgery Sienna, Vascular Violet, Vile Green, Decay & 4011 Reducer

Order#	Size	List Price	Your Price
5083-06	1oz Set	34.16	23.00
5083-02	2 oz Set	54.93	38.00

Bloodline Type O-

Set Consists of 1 ea: Coagulated Crimson, Vascular Violet, Surgery Sienna, Decay, Vile Green & 4011 Reducer

Order#	Size	List Price	Your Price
5083-07	1oz Set	34.16	23.00
5083-03	2 oz Set	54.93	38.00

Bloodline Box Set

1 ea 1oz: 5035 thru 5049, 5051 Black. 2ea 2 oz 5050 White, 1 ea 4 oz 4008 Restorer, 4011 Reducer, 4020 Reducer, 4050 UVLS Gloss Clear

Order#	Size	Retail	Sale
AB 5084-B		431.84	98.00

Lifeline Master Set

Set Consists of 1 ea. 5016 thru 5030, 5092 Flex Adhesive, 4011 Reducer

Order#	Size	List Price	Your Price
5015-01	1 oz Set	94.89	70.00
5015-02	2 oz Set	155.31	116.00

Paasche Airbrushes



Paasche VL Airbrush

VL Double Action - Internal Mix - Siphon Feed Airbrush: The VL series is our most popular Airbrush due to its durability and ability to spray most material whether thick or thin. The stainless steel needle and nickel silver tip handle water based or solvent based mediums. The VL airbrush offers versatility with three interchangeable head sizes. This model can achieve spray patterns from fine detail to broader coverage handling light, medium and heavy fluids. The rounded head allows for easy removal of any dried paint with just a pinch of your fingers. Chrome plated body



VL Airbrush Only (No Accessories)

Order #	Retail	Sale
#1 - (0.55 mm)		
99 VL#1L	406.00	63.00
#3 - (0.74 mm)		
99 VL#3L	405.00	62.00
#5 - (1.06 mm)		
9 VL#5L	406.00	63.00

VL-3AS Set Complete

Contents: VL#3L airbrush with #1 0.55mm and #5 1.06mm, tips, needles and heads, Plus: 6' hose, 1 oz. bottle assembly, plain 1 oz. bottle and cap, 1/4oz color cup, airbrush hanger, Wrench and instruction booklet

Order #	Retail	Sale
99 VL-3AS	459.00	95.50

VL-1AS Set

Contents: VL#3L airbrush Plus: 6' hose, 1 oz. bottle assembly, plain 1 oz. bottle and cap, 1/4oz color cup, airbrush hanger, Wrench and instruction booklet

Order #	Retail	Sale
99 VL-1AS	429.00	77.50

VL-3WC Set in Wood Case

Contents: VL#3L airbrush with #1 0.55mm and #5 1.06mm, tips, needles and heads Plus: 6' hose, 1 oz. bottle assembly, plain 1 oz. bottle and cap, 1/4oz color cup, airbrush hanger, Wrench, Wood Case and instruction booklet

Order #	Retail	Sale
99 VL-3AS	425.00	129.00

VL-3MH Set

Contents: VL#3L airbrush with #1 0.55mm and #5 1.06mm, tips, needles and heads Plus: With Anodized aluminum cut-away handle - Plus: 6' hose, 1 oz. Bottle assembly, plain 1 oz. Bottle and cap, 1/4oz color cup, airbrush hanger, Wrench and instruction booklet

Order #	Retail	Sale
99 VL-3MH	469.00	101.50

Paasche Millennium Airbrush

The MIL series is slender body than the VL Series airbrush with a cut-away aluminum handle that has the ability to spray most material whether thick or thin. The PTFE packing can handle water based or solvent based mediums. The MIL airbrush offers versatility with three interchangeable head sizes. This model can achieve spray patterns from fine detail to broader coverage handling light, medium and heavy fluids. The rounded head allows for easy removal of any dried paint with just a pinch of your fingers.



Millennium Airbrush Only (No Accessories)

Order #	Retail	Sale
MIL#3 - (0.74 mm)		
99 MIL#3L	403.00	61.80

MIL-1AS Millennium #3 Set

Includes MIL#3L, 6 foot hose, 1/4 oz. side cup, 1 oz. bottle and assembly, 1 oz Storage Bottle w/Cap, wrench and hanger, and instructions

Order #	Retail	Sale
99 MIL-1AS	430.00	83.00

MIL-3AS Millennium Set

Includes MIL#3L with #1 0.55mm and #5 1.06mm Heads, tips and Needles Plus: , 1 oz Bottle Assembly, 1 oz Storage Bottle, 1/4oz Metal Color Cup, Hanger, 1/8BSP Adapter, 6' Braided Air Hose, Wrench, & Instruction Manual

Order #	Retail	Sale
99 MIL-3AS	463.00	97.80

MIL-3WC Set in Wood Case

Includes MIL#3L with #1 0.55mm and #5 1.06mm Plus: 1 oz Bottle Assembly, 1 oz Storage Bottle, 1/4 oz color cup, 6' air hose, airbrush hanger, wrench, wood case, instruction booklet

Order #	Retail	Sale
99 MIL-3WC	422.00	133.00

Paasche Talon Series Airbrush

TG Gravity Feed Airbrush

Talon TG Airbrush: The Paasche TG is a double action gravity feed airbrush. The airbrush features a chrome plated body and anodized aluminum handle for durability. The TG is our finest detail airbrush allowing the user to achieve hair line detail and using our optional fan head wider patterns up to 3 inches. A PTFE packing allows the TG to handle any water or solvent based paint. Clean up is as simple as spraying your paint cleaner through the airbrush and wiping of the needle. The TG is best used for those requiring high end detail. Applications including automotive graphics, models, taxidermy, cake decorating, tattoos, finger nails, graphic arts, illustration, etc. With Chrome Plated Body



Talon TG Airbrush Only (No Accessories)

Order #	Retail	Sale
TG#2 - (0.33 mm)		
99 TG#2L	442.00	87.00

TG .38mm airbrush Set

TG#2L with 6 foot hose, 2 wrenches and hanger and Instruction Manual

Order #	Retail	Sale
TG-1AS	462.00	99.00

TG Set w/ Fan Air Cap

TG#2L with #1 0.25mm & #3 0.66mm nozzles air cap & needles, fan caps Plus: 6 foot hose, 2 wrenches and hanger and Instruction Manual

Order #	Retail	Sale
TG-3AS	424.00	127.00

TG Set in Wood Case

with #1 0.25mm & #3 0.66mm nozzles air cap & needles, fan caps Plus: 6 foot hose, 2 wrenches, hanger wood case and Instruction Manual

Order #	Retail	Sale
TG-3WC	465.00	162.00

TG Deluxe Set

TG#2L with #1 0.25mm, #3 0.66mm & #4 1.05 mm, nozzles, air caps & needles, fan cap Plus: 6 foot hose, 2 wrenches and hanger and Instruction Manual

Order #	Retail	Sale
TG-4AS	439.00	145.00

TGX Vision Airbrush

The TGX Vision airbrush is the newest in our Talon line. The Vision is the finest detail airbrush in Paasche line. The atomizing control allows you to dial in the finest detail without adjusting the pressure from your compressor. Being in the Talon line means it can The Vision will come installed with our new .2mm head, sloped trigger, air atomization control and the black chrome plating.



TGX Vision Airbrush Only (No Accessories)

Order #	Retail	Sale
TGX#2 - (0.20 mm)		
99 TGX-#0L	425.00	138.00

TGX Vision Set in Metal Case

TGX#0 Plus #3 0.66 mm Head, Nozzle, Needle, Fan Aircap, Hanger, (2) Wrenches, Metal case, and manual.

Order #	Retail	Sale
TGX-2F	435.00	201.00

TS Siphon Feed Airbrush:

Talon TS is a Double Action - Siphon Feed Airbrush: The airbrush features a chrome plated body and aluminum anodized cutaway handle. The TS#3L is installed with the .66mm head and can achieve detail down to 1/64 inch and using our optional fan head wider patterns up to 3 inches. A PTFE packing enables the TS to handle any water or solvent based paint. Clean up is as simple as spraying your paint cleaner through the airbrush and wiping of the needle. The TS can be used for many applications including hobby, craft, automotive, t-shirts, taxidermy, ceramics, cake decorating, tanning, tattoos, etc.



TS Talon Siphon Feed Airbrush Only (No Accessories)

Order #	Retail	Sale
TS#3L #3 - (0.66 mm)		
TS#3L	409.00	67.50

TS 1 Airbrush Sets

Talon TS#3L 6 foot airhose, 1/4-oz metal color cup, 1oz bottle with adapter, 1 oz bottle with storage cap, 2 Wrench, Hanger and Instruction Manual

Order #	Retail	Sale
TS-1AS	447.00	91.00

TS 3 Airbrush Set

Talon TS#3L with #1 0.25mm, #3 0.66mm & #4 1.05 mm Air Caps, Tips, Needles, Plus: 6 foot airhose., 1/4-oz metal color cup, 1oz bottle with adapter, 1 oz bottle with storage cap, 2 Wrench, Hanger and Instruction Manual

Order #	Retail	Sale
TS-3AS	489.00	117.00

TS 4 Airbrush Set in Wood Case

Talon TS#3L with #1 0.25mm, #3 0.66mm & #4 1.05 mm Air Caps, Tips, Needles, Plus: 6 foot airhose., 1/4-oz metal color cup, 1oz bottle with adapter, 1 oz bottle with storage cap, 2 Wrench, Hanger, Wood Case and Instruction Manual

Order #	Retail	Sale
TS-4WC	449.00	154.00

Paasche Airbrushes



Paasche H Airbrush

H Single Action - External Mix - Siphon Feed Airbrush: This single action airbrush features a chrome plated body for durability. The H single action allows the user to achieve fine lines down to 1/16 inch and wider patterns of up to 1-1/2 inches. It simple and easy to use and requires very little practice compared to double action models. The best uses are those requiring more basic spraying like solid coats, uniform lines or stencil work. Clean up is as simple as spraying your paint cleaner through the airbrush. The H is used for many applications including hobby, craft, chip and ding repair, taxidermy, ceramics, cake decorating, tanning, tattoos, etc. The H airbrush is made in the USA.



H Airbrush Only (No Accessories)

Order #	Retail	Sale
#1 - (0.45 mm)		
99 H#1L.....	69.00	42.50
#3 - (0.64 mm)		
99 H#3L.....	68.00	42.00
#5 - (1.06 mm)		
99 H#5L.....	69.00	42.50

H-1AS Set

Contents: H#3L Plus.; 6' hose, 1 oz. bottle assembly, plain 1 oz. bottle and cap, airbrush hanger, Wrench and instruction booklet

Order #	Retail	Sale
99 H-1AS	94.00	57.00

H-3AS Set

Contents: H#3L airbrush with #1 0.45MM & #5 1.06MM air caps, tips needles & Aircap.; Plus: 6' hose, 1/4 oz Color Cup, 1 oz. bottle assembly, plain 1 oz. bottle and cap, airbrush hanger, Wrench and instruction booklet

Order #	Retail	Sale
99 H-3AS	121.00	75.00

H-3WC Wood Case Set

Contents: H#3L airbrush with #1 0.45MM & #5 1.06MM air caps, tips needles & Aircap.; Plus: 6' hose, 1/4 oz Color Cup, 1 oz. bottle assembly, plain 1 oz. bottle and cap, airbrush hanger, Wrench, wood case and instruction booklet

Order #	Retail	Sale
99 H-3WC	179.00	109.00

Paasche RG Raptor Airbrush

The Paasche RG is a double action gravity feed airbrush. The airbrush features a chrome plated body and anodized aluminum handle for durability. The RG is a fine detail airbrush allowing the user to achieve hair line detail. A PTFE packing allows the RG to handle any water or solvent based paint. Clean up is as simple as spraying your paint cleaner through the airbrush and wiping of the needle. The RG is best used for those requiring high end detail. Applications including automotive graphics, models, taxidermy, cake decorating, tattoos, finger nails, graphic arts, illustration, etc. The RG airbrush is made and assembled in the USA and includes the following.



RG Raptor Airbrush Only (No Accessories)

Order #	Retail	Sale
RG#1L #3 - (0.25 mm)		
RG#1L.....	136.00	84.00

RG 1 Airbrush Sets

Talon RG#1L with 1/10 oz cup, Cup Cover, 6 foot hose, 2 wrenches and hanger and Instruction Manual

Order #	Retail	Sale
RG-1AS	162.00	100.00

RG 3 Airbrush Sets

Talon RG#1L Plus #1 (0.38mm) & #3 (0.66mm) Head, tip & Needle, with 1/10 oz cup, Cup Cover, 6 foot hose, 2 wrenches and hanger and Instruction Manual

Order #	Retail	Sale
RG-3AS	189.00	116.00

RG 4 Airbrush Set

Talon RG#1L Plus #0 (0.20mm), #1 (0.38mm) & #3 (0.66mm) Head, tip & Needle, with 1/10 oz cup, Cup Cover, 6 foot hose, 2 wrenches and hanger and Instruction Manual

Order #	Retail	Sale
RG-4AS	217.00	134.00

RG 4 Airbrush Set in Wood Case

Talon RG#1L Plus #0 (0.20mm), #1 (0.38mm) & #3 (0.66mm) Head, tip & Needle, with 1/10 oz cup, Cup Cover, 6 foot hose, 2 wrenches, hanger and Wood Case and Instruction Manual

Order #	Retail	Sale
RG-4WC.....	265.00	160.00

Paasche AEC Air Eraser

The air eraser can be used anywhere an abrasive is required to delicately erase; such as decorative etching on glass. Can also be used by the professional technician, manufacturer, hobbyist or for dental lab work, erasing color, and removing rust. Requires a compressor 1/3 HP or larger that can deliver up to 70 PSI.



AEC Air Eraser Only (No Accessories)

Order #	Retail	Sale
99 AEC	86.00	68.80

AEC Set

Contents: AEC Air Eraser with 6 oz Bottle Aluminum Oxide, Dust Mask, 6' Braided Air Hose and Instruction Manual

Order #	Retail	Sale
99 AEC-K	105.00	81.30

Fast Cut Compound (aluminum Oxide) 6 oz

99 AEX-6.....	6.95	6.09
---------------	-----------------	-------------

Fast Cut Compound (aluminum Oxide) 240 5 lbs

99 AEX-5-240.....	27.50	24.05
-------------------	------------------	--------------

Fast Cut Compound (aluminum Oxide) 240 25 lbs

99 AEX-25.....	99.00	86.60
----------------	------------------	--------------

Fast Cut Compound (aluminum Oxide) 400 5 lbs

99 AEX-5-400.....	39.50	34.15
-------------------	------------------	--------------

NOTE:

For Medium Cut -- Use Powered Pumice
For Slow Cut -- Use Food Grade Corn Starch

Paasche Compressors

D220R 1/5 hp Compressor



The D220R airbrush compressor with regulator & moisture trap is perfect for any hobby or artist airbrush. The maximum operating pressure is 40 PSI depending on airbrush being used. The D220R is a diaphragm compressor and more powerful than the 1/5 HP models.

Order #	Retail	Sale
99 D220R	163.00	126.75

D500SR 1/5 hp Piston Compressor



The D500SR 1/5hp airbrush compressor with regulator & moisture trap is perfect for any hobby or artist airbrush. The maximum operating pressure is up to 35 PSI depending on airbrush being used. Auto shutoff

Order #	Retail	Sale
99 D500SR	171.00	128.25

D3000R 1/5 ph Piston Compressor w/ Tank



The D3000R 1/5 hp airbrush compressor with regulator & moisture trap is perfect for any hobby or artist airbrush. The maximum operating pressure is up to 35 PSI depending on airbrush being used. Auto shutoff and 3/4 Gal (2.8 L) Air Tank

Order #	Retail	Sale
99 D3000R	229.00	171.75

DA400R 1/4ph Duel Head Compressor



The DA400R is a Dual Head 1/4 H.P. Oil less Compressor The maximum operating pressure up 40 PSI depending on airbrush being used. The DA400R is more powerful than the single head compressors and great if you use larger airbrush heads or thicker paints. Auto shutoff.

Order #	Retail	Sale
99 DA400R.....	252.00	189.00

DC600R 1/4ph Compressor w/Tank



The DC600R is a Dual Head 1/4 H.P. Oil less Compressor. The maximum operating pressure up 40 PSI depending on airbrush being used. The DA400R is more powerful than the single head compressors and great if you use larger airbrush heads or thicker paints. Auto shutoff. 15/16 Gallon (3.5 l) Air Tank

Order #	Retail	Sale
99 DC600R.....	349.00	261.75

DC850R 3/4hp Compressor w/Tank



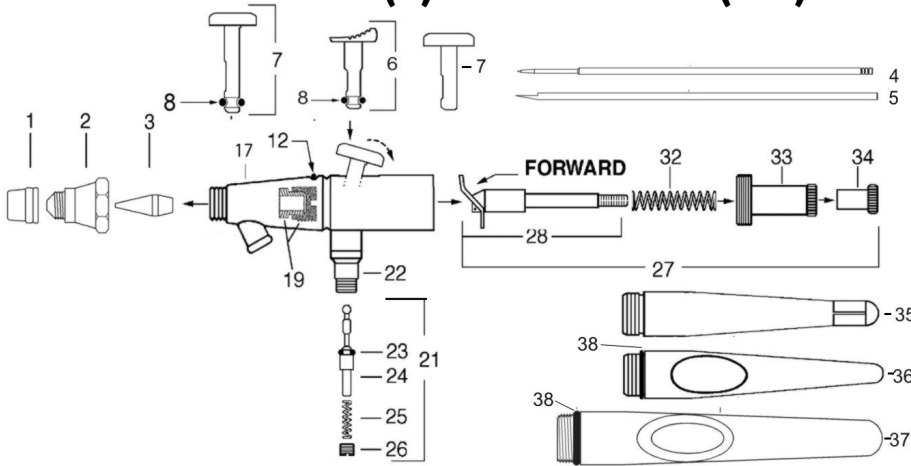
The Paasche DC850R is a Ultra Quiet 3/4 HP compressor with a 1.6 gallon tank & regulator and moisture trap. This oil free compressor has a rust free 1.585 gallon(6 liter) aluminum air tank with easy to use ball drain valve. Delivers up to 90 psi enough to run up to 4 airbrushes at once

Order #	Retail	Sale
99 DC850R.....	410.00	314.25

Paasche Airbrush Parts



VL (V) and Millennium (MIL) Airbrush Parts

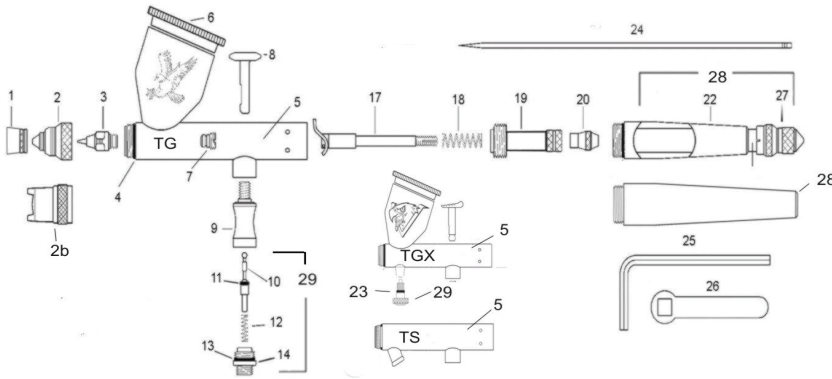


No.	Order#	Description	Sale Price
1	XI-41	Needle cap	5.45
2	VLH-1	Head #1 aircap/body	6.50
2	VLH-3	Head #3 aircap/body	6.50
2	VLH-5	Head #5 aircap/body	6.50
3	VLT-1	Tip (nozzle) #1	5.95
3	VLT-3	Tip (nozzle) #3	5.95
3	VLT-5	Tip (nozzle) #5	5.95
4	VLN-1	Needle #1	5.75
4	VLN-1pol	Needle #1(polished)	6.50
4	VLN-3	Needle #3	5.75
4	VLN-5	Needle #5	5.75

No.	Order#	Description	Sale Price
5	VL-54	Cleaning Reamer	8.30
6	VL-231	Slanted Trigger - opt.	6.95
7	VL-229	VL Trigger	5.90
7	MIL-13	MIL Trigger	6.25
8	TAL-26	O-ring for Trigger (6)	5.10
12	VL-175	VL Line adjust assembly	6.09
17	VL-163	VL Shell	32.00
17	MIL-2	MIL Shell	35.70
9	MU-612	Needle packing assm	5.55
21	VL-215	Air Valve Assembly	7.50
22	VL-20	VL Air Valve Casing	5.95

No.	Order#	Description	Sale Price
22	MIL-9	MIL Air Valve Casing	6.50
23	A-53	Air Valve Washers (6)	5.45
24	VL-214	Air Valve Plunger w/A-53	4.65
25	A-22	Air Valve Spring	2.50
26	A-23R	Air Valve Nut	3.20
27	VL-186	Needle Valve Assembly	9.50
28	VL-191A	VL Rocker Assembly	6.95
28	MIL-4	MIL Rocker Assembly	6.50
32	VL-140	VL Needle Spring	2.80
32	MIL-11	MIL Needle Spring	2.85
33	VL-136A	Needle Adjusting Sleeve	4.90
34	VL-141	Needle Locknut	4.05
35	VL-134N	Handle	4.55
36	HVL-202	Anodized Metal Handle - opt.	9.95
37	MIL-10	MIL Cut Away Handle	9.75
38	VL-224	VL O-ring handle	2.29
38	MIL-12	MIL O-ring for MIL-10 (6)	5.25
N/S	VL-10RK	Repair Kit	28.70
(1 EA: A23R, MU-612, VL-141, VL-191A, VL-140, VL-136A, VL-229, VL-214, XI-41, A53 & A22)			
N/S	VL-227-1	Tip, Needle, Head #1 Set	13.25
N/S	VL-227-3	Tip, Needle, Head #3 Set	13.25
N/S	VL-227-5	Tip, Needle, Head #5 Set	13.25
N/S	V-62	VL Wrench	3.25
N/S	VL-1/40Z	Metal Color Cup	5.90
N/S	HVL1/4	Color Cup Cover	1.95
N/S	Not Shown opt. - Optional (6) - 6 pack		

Talon TG, TGX & TS Airbrush Parts



No.	Order#	Description	Sale Price
1	XI-41	Needle Cap	5.45
2	TA-1	Aircap 0.20mm & 0.25 mm	6.80
2	TA-2	Aircap 0.38 mm	6.80
2	TA-3	Aircap 0.66 mm	6.80
2	TA-4	Aircap 1.05mm	6.95
2b	TAF-3	Fan Aircap #3 0.66mm	12.75
2b	TAF-4	Fan Aircap #4 1.00mm	13.95
3	TT-0	Nozzle 0.20mm	11.85
3	TT-1	Nozzle 0.25mm	7.65
3	TT-2	Nozzle 0.38mm	7.65
3	TT-3	Nozzle 0.66mm	7.65
3	TT-4	Nozzle 1.00mm	8.35
4	MIL-12	O-Ring for body& handle (6)	5.25
5	TG-30	TG- Shell	44.80
5	TGX-30	TGX Shell	N/A

No.	Order#	Description	Sale Price
5	TS-30	TS - Shell	N/A
6	TG-4	TG - Cup Cover	5.25
6	TGX-104	TGX - Vision Cup Cover	6.15
7	TAL-8	Packing Assembly	5.95
8	TAL-37	TG Trigger	6.25
8	TGX-106	TGX Trigger	7.65
9	TAL-14	Valve Casing	6.25
10	TAL-36	Valve Plunger w/O-ring	4.60
11	A-53	O-ring Valve Plunger (6)	5.45
12	A-22	Spring	2.50
13	TAL-22	Air piston O-ring	5.10
14	TAL-15	Valve Adapter w/O-ring	5.15
17	TAL-18	Rocker Assembly	6.95
18	MIL-11	Needle Spring	2.85
19	TAL-17	Spring Housing	5.15

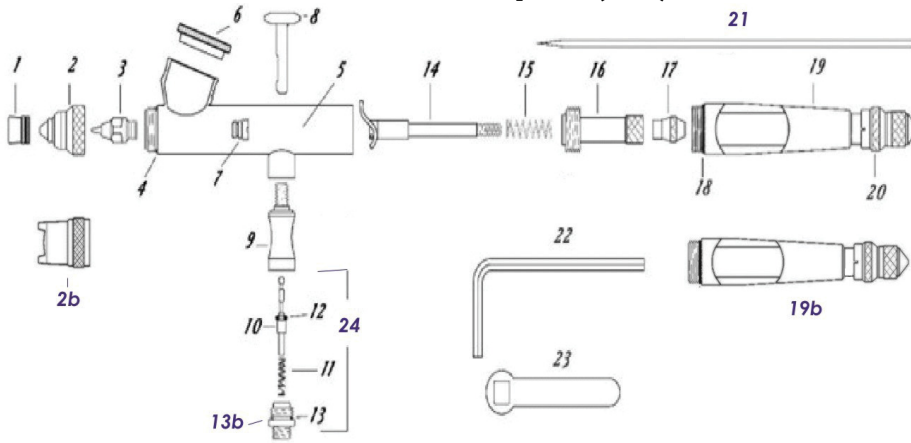
No.	Order#	Description	Sale Price
20	TAL-19	Needle Locknut	4.40
22	TAL-20	Handle N/A use TAL-34	
23	3A-4	O-ring (6)	5.25
24	TN-0	Needle 0.20mm	8.75
24	TN-1	Needle 0.25mm	7.05
24	TN-2	Needle 0.38mm	7.05
24	TN-3	Needle 0.66mm	7.05
24	TN-4	Needle 1.05mm	7.65
25	TAL-35	Allen Wrench for Talon	3.50
26	TAL-28	Wrench for Talon	3.50
27	TAL-33	TG - Needle Stop	6.85
27	TGX-107	TGX - Air Valve Stem	6.75
28	TAL-34	TG - Handle & Stop	13.95
28	TGX-105	TGX - Handle & Stop	14.35
28	TS-33	TS - Handle, Aluminum	7.65
29	TAL-32	Air Valve Assembly	6.95
N/S	VL-1/40Z	Metal Color Cup	5.90
N/S	HVL-1/4	Color Cup Cover	1.95
N/S	T-227-0	Tip, Head & Needle Set #0	23.10
N/S	T-227-1	Tip, Head & Needle Set #1	18.15
N/S	T-227-2	Tip, Head & Needle Set #2	18.15
N/S	T-227-3	Tip, Head & Needle Set #3	18.15
N/S	T-227-4	Tip, Head & Needle Set #4	19.60
N/S	TG-10RK	TG - Repair Kit	32.00
(1 ea: TAL-37, TAL-8, TAL-26, TAL-18, TAL-32, MIL-11, TAL-17, TAL-19 and TAL-23)			
N/S	TS-10RK	TS - Repair Kit	32.90
(1 ea: TAL-37, TAL-8, TAL-18, TAL-26, TAL-32, MIL-11, TAL-17, TAL-19 and XI-41)			
N/S	Not Shown opt. - Optional (6) - 6 pack		

For Optimum Performance MATCH Aircap/Head, Tip and Needle Size

Paasche Airbrush Parts



Raptor (RG) Airbrush Parts



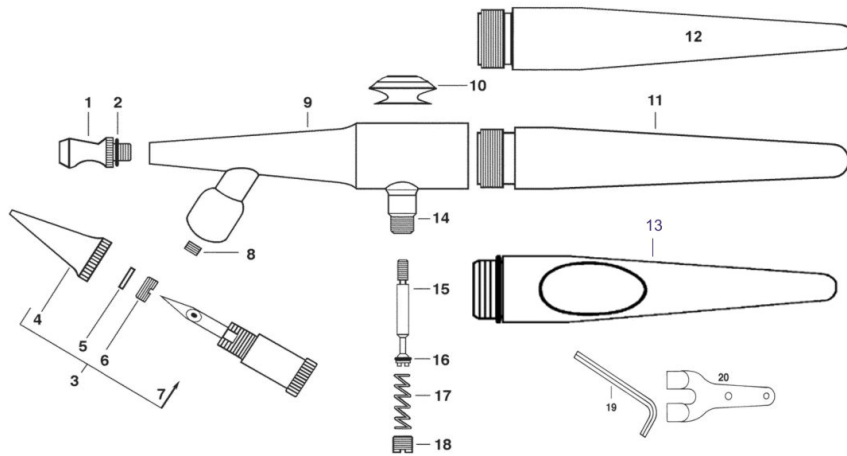
No.	Order#	Description	Sale Price
11	A-22	Air Valve Spring	2.50
12	TAL-26	Air piston O Ring (6pk)	5.10
13	TAL-15	Valve Adapter	5.15
13b	TAL-22	O Ring (air valve) (6pk)	5.10
14	TAL-18	Rocker Assembly	6.95
15	MIL-11	Needle Spring	2.85
16	TAL-17	Spring Housing	5.15
17	TAL-19	Needle Locknut	4.40
18	MIL-12	O Ring, Handle (6pk)	5.25
19	RG-20	Handle, Raptor	12.15
19b	TAL-34	TG - Handle & Stop opt.	13.95
20	TAL-33	Needle Stop	6.85
21	TN-1	Needle 0.25 mm	7.05
21	TN-2	Needle 0.38 mm	7.05
21	TN-3	Needle 0.66 mm	7.05
21	TN-4	Needle 1.05 mm	7.65
22	TAL-35	Allen Wrench	3.50
23	TAL-28	Wrench for Talon	3.50
N/S	T-227-1	Tip, Head & Needle Set #1	18.15
N/S	T-227-2	Tip, Head & Needle Set #2	18.15
N/S	T-227-3	Tip, Head & Needle Set #3	18.15
N/S	T-227-4	Tip, Head & Needle Set #4	19.60

No.	Order#	Description	Sale Price
1	XI-41	Needle Cap	5.45
2	TA-1	Aircap 0.25 mm	6.80
2	TA-2	Aircap 0.38 mm	6.80
2	TA-3	Aircap 0.66 mm	6.80
2	TA-4	Aircap 1.05mm	6.95
2b	TAF-3	Fan Aircap #3 0.66mm	12.75
2b	TAF-4	Fan Aircap #4 1.00mm	13.95
3	TT-1	Nozzle 0.25mm	7.65
3	TT-2	Nozzle 0.38mm	7.65

No.	Order#	Description	Sale Price
3	TT-3	Nozzle 0.66mm	7.65
3	TT-4	Nozzle 1.00mm	8.35
4	MIL-12	O-Ring (6)	5.25
5	RG-30	RG Shell Not Available	
6	RG-8	Cup Cover	5.00
7	TAL-8	Packing Assembly	5.95
8	TAL-37	Trigger Assembly	6.25
9	TAL-14	Valve Casing	6.25
10	TAL-36	Air piston	4.60

N/S - Not Shown opt. - Optional (6) - 6 pack

H Series (H) Airbrush Parts



No.	Order#	Description	Sale Price
4	HT-5	Tip (nozzle) (1.06 mm)	4.90
5	H-185	Packing, needle	2.65
6	H-184	Packing Nut	2.75
7	HN-1-3	Needle size both 1 & 3	5.85
7	HN-5	Needle size 5 (1.06 mm)	5.85
8	H-153	Set Screw (pk 6)	5.25
9	H-150N	Shell Assembly	23.80
10	H-155	Button "trigger"	3.60
11	H-143	Handle Plastic	4.55
11a	HVL-200	Handle Metal opt.	7.65
11b	HVL-202	Handle Mtl w/Cut Out opt.	9.95
12a	VL-224	O Ring Handle	2.29
14	H-128A	Valve Casing (air valve)	6.15
15	H-192A	Valve Plunger	4.30
16	A-53	Air Valve Washer (pk 6)	5.45
17	A-22	Air Valve Spring	2.50
18	A-23A	Air Valve Nut	3.20
19	F-186	Wrench	2.99
20	A-34	Hanger	3.55
N/S	H-1/40Z	Metal Color Cup	5.90
N/S	HVL-1/4	Color Cup Lid	1.95

No.	Order#	Description	Sale Price
1	HC-1-3	Aircap size (#1 & #3)	\$4.85
1	HC-5	Aircap #5 (1.06 mm)	4.85
2	3A-4	"O" Ring (pk of 6)	5.25
3	H-1	Color Adjusting Part (.45 mm needle & tip)	9.05

No.	Order#	Description	Sale Price
3	H-3	Color Adjusting Part (.64 mm needle & tip)	9.05
3	H-5	Color Adjusting Part (1.06 mm needle & tip)	9.05
4	HT-1	Tip (nozzle) (.45 mm)	4.90
4	HT-3	Tip (nozzle) (.64 mm)	4.90

N/S - Not Shown opt. - Optional (6) - 6 pack

For Optimum Performance MATCH Aircap/Head, Tip and Needle Size

Paasche Accessories



No.	Order#	Description	Sale Price
1	AC-7	Airbrush Cleaning Kit Set of 7 Cleaning Brushes	13.95
2	AL-2	Airbrush Lub Lub for Trigger and Needle	5.55

No.	Order#	Description	Sale Price
3	A-194	Airbrush Holds Holds 4 Airbrushes with Clamp	20.95
4	A-34	Airbrush Hanger Hanger for Side of Work space	3.55

Paasche Airbrush Accessories



Paasche Bottles and Accessories

VL Bottle Assemblies/Adapters

For VL, MIL, TS airbrushes Plus most double action siphon feed airbrushes

"VL" Glass Bottle Assemblies

Glass Bottle w/Metal Adapter



Order #	Description Retail	Sale Price
99 VL-1/2OZ	1/2oz Bottle Assembly	6.75
99 VL-1OZ	1oz Bottle Assembly	6.75
99 VL-3OZ	3oz Bottle Assembly	7.40
99 PCVL-3OZ	3oz Assembly w/Nylon Adpt.	7.49

"VL" Plastic Bottle Assemblies

Plastic Bottles w/Nylon Adapter

Order #	Description Retail	Sale Price
99 VLP-3OZ	3oz Bottle Assembly	5.50
99 VLP-8OZ	8oz Bottle Assembly	6.95
99 BA-60-IP	1oz Bottle Assembly	4.35
99 BA-60-2P	2oz Cylinder Assembly	4.50
99 BA-60-3P	3oz Bottle Assembly	4.35
99 BA-60-4P	4oz Cylinder Assembly	4.73

"VL" Metal Bottle Assemble and Color Cup



Order #	Description Retail	Sale Price
VL-2OZ	2oz Metal Bottle w/Met. Adp	26.20
VL-1/4OZ	Metal Color Cup 1/4oz	5.90
HVL-1/4	Color Cup Cover	1.95

"VL" Adapters for Bottle Assemblies

Order #	Description Retail	Sale Price
99 VL1/2	1/2oz Glass Btl. Metal Adap.	4.60
99 VL1	1oz Glass Btl. Metal Adap.	4.60
99 VL3	3oz Glass Btl. Metal Adap.	4.55
99 21-VL	2oz Plastic Btl. Adapters	4.10
99 VLP-3	3oz Plastic Btl. Adapters	4.55

H Bottle Assemblies/Adapters

For H Series airbrushes only

"H" Glass Bottle Assemblies

Glass Bottle w/Metal Adapter



Order #	Description Retail	Sale Price
99 H-1/2OZ	1/2oz Glass Bottle Assembly	6.75
99 H-1OZ	1oz Glass Bottle Assembly	6.75
99 H-3OZ	3oz Glass Bottle Assembly	7.40
99 PCH-3OZ	3oz Glass Bottle w/Nylon Ad.	7.40

"H" Plastic Bottle Assemblies

Plastic Bottle w/Nylon Adapter

Order #	Description Retail	Sale Price
99 HP-3OZ	3oz Bottle Assembly	5.50
99 HP-8OZ	8oz Bottle Assembly	6.95
99 BA-30-IP	1oz Bottle Assembly	4.00
99 BA-30-2P	2oz Cylinder Assembly	4.50
99 BA-30-3P	3oz Bottle Assembly	4.35
99 BA-30-4P	4oz Cylinder Assembly	4.73

"H" Metal Bottle Assemble and Color Cup



Order #	Description Retail	Sale Price
H-2OZ	2oz Metal Bottle w/Met. Adp	26.20
H-1/4OZ	Metal Color Cup 1/4oz	5.90
HVL-1/4	Color Cup Cover	1.95

"H" Adapters for Bottle Assemblies

Order #	Description Retail	Sale Price
99 H1/2	1/2oz Glass Btl. Metal Adap.	4.60
99 H1	1oz Glass Btl. Metal Adap.	4.60
99 H3	3oz Glass Btl. Metal Adap.	4.60
99 21-H	2oz Plastic Btl. Adapter	4.10
99 HP3	3oz Plastic Btl. Plastic Adap.	4.55

Bottle Assembly Accessories



Glass Bottles

Order #	Description Retail	Sale Price
99 H-164	1/2oz Glass Bottle	3.05
99 H-99	1 oz Glass Bottle	2.59
99 H-108	3 oz Glass Bottle	2.89

Plastic Bottles

Order #	Description Retail	Sale Price
99 PB-2	2oz Plastic Bottle	1.65
99 BA-99	1oz Plastic Bottle	1.70
99 62-17P	3oz plastic bottle	2.10
99 H-209	8oz Plastic Bottle	3.45



Bottle Caps

Order #	Description Retail	Sale Price
99 PC	2oz Cap for Plastic Bottles	.85
99 BPC-1	1 oz Cap for Plastic Bottles	1.15
99 BPC-3	3oz/8 oz for Plastic Bottles	1.15
99 H-165	1/2oz Cap w/Gasket Glass	1.25
99 H-191G	1oz Cap w/Gasket Glass	1.40
99 H-190G	3oz Cap w/Gasket Glass	1.40



Bottle Cap Gaskets

Order #	Description Retail	Sale Price
99 5G	1oz Gasket (pack of 6)	5.20
99 3JG	3oz Gasket (pack of 6)	5.20

VF-38 Siphon Tube

Siphon Tube

Order #	Description Retail	Sale Price
VF-38	Siphon Tube 5 1/2" cut to fit (6)	7.45

Airbrush Hoses

For Paasche Airbrushes Only



Order #	Description Retail	Sale Price
99 A-1/8-6	6 foot Braided Air Hose	10.15
99 A-1/8-10	10 foot Braided Air Hose	14.35
99 A-1/8-25	25 foot Braided Air Hose	30.10
99 A-1/8-6MT	6 foot Hose with Moisture Trap	27.95
99 A-1/8-10MT	10 foot Hose with Moisture Trap	31.50
99 A-1/8-6Q	6 foot Hose with Quick Disconnect	23.10
99 A-1/8-10Q	10 foot Hose with Quick Disconnect	26.60
99 CH-10	10 Foot Coiled Hose	14.65

Spray Gun Hoses

For Spray Guns, Compressors etc.

Order #	Description Retail	Sale Price
99 HL-3/16-10	Hose with 1/4 in NPT Both ends for Spray Guns, compressors	17.05

Adapters for Airbrush Hoses



Order #	Description Retail	Sale Price
99 A-188	Adapter, Iwata A/B to Paasche Hose	5.60
99 A-202	Adapter, Paasche A/B to Iwata Hose	5.55
99 A-151	Adapter, Badger A/B to Paasche Hose	5.60
99 M-66	Adapter, Paasche AB to Badger Hose	5.55

Accessories



Order #	Description Retail	Sale Price
99-3A4	O-ring for Hose(6)	5.25
99 A-191	Quick Disconnect Set	13.95
99 A-192	Quick Disconnect Male only	3.95
99 H-006	O-ring for QD	2.29
99 R-75	Regulator, gauge & moisture trap	26.50
99 MT	Moisture trap (cut hose & install)	14.95
99 QM-2	Manifold 2 valves with 1/4" NPT Male Fittings	20.25
Order #	Description Retail	Sale Price
99 HF-116	Coupling: 1/4" NPT Male to 1/8" BSP Female	6.95
99 HF-33	Coupling: 1/4" NPT - Male to Male	4.05

Dixie Airbrush Order Form

NEW MAILING ADDRESS

PO Box 1021
 Kenner, LA 70063-1021
 (504)-236-2163

Please be advised that no changes, additions or deletions can be made to your order once it has been processed for shipping. Please wait until you are sure that you order exactly what you want. If you have access to a copy machine, make a copy of this order sheet for your future use

Make Checks/Money Orders Payable to: "Dixie Airbrush"

Date _____ E-Mail Address: _____

Customer Name: _____

Street Address: _____

City _____ State _____ Zip _____

Phone # Home: () _____ Work: () _____

Check this box if paying by check/money order.

Credit Card # _____ - _____ - _____ Exp. _____ / _____

Name on Credit Card: _____ CC Security # _____

Credit Card Billing Address: _____

(if different from above) City _____ State _____ Zip _____

Item Number	Qty	Description	Price	Total
1				1
2				2
3				3
4				4
5				5
6				6
7				7
8				8
9				9
10				10
11				11
12				12
13				13
14				14
15				15
16				16
17				17
18				18

No Minimum Order!

Shipping Charges

Orders from \$50.00 thru \$149.99.....\$ 12.95

Orders over \$150.00.....**FREE Shipping**

Minimum Order (Merchandise).....\$50.00

Shipping Charges quoted above for Continental US Only

Check this box if you do not require a signature for delivery.

Please Note: Dixie Airbrush will not be responsible for items lost if left without signature.

Subtotal _____

Sales Tax:

Louisiana residents, only
 All parishes, add 5.0% tax,
 except Orleans Parish, add 10.0%,
 Jefferson, add 9.75%
 and Harahan 10.55%

Shipping Charges _____

TOTAL _____

NEW MAILING ADDRESS:

Dixie Airbrush

Mailing Address:
PO Box 1021
Kenner, LA 70063-1021

www.dixieart.com

dixieairbrush@aol.com

(504) 236-2163

NEW Shipping Charges - Lower 48
FREE
\$12.95
Orders over \$150.00
Orders \$50.00 - \$149.99
Minimum Merchandise Order \$50.00

NEW



4021 Improved Reducer



4021 Reducer has a slower evaporation rate compared to 4011 Reducer, which allows paints mixed with 4021 to flow and level better, enhancing the finish by reducing brush marks and spray irregularities. 4021 Reducer virtually eliminates tip-dry. Createx paints have much less tip-dry when thinned with 4021 Reducer compared to thinning with 4011 Reducer. Createx paints can be thinned generously with 4021 Reducer so colors spray well at reduced pressures without a stippled appearance, allowing colors to blend and transition seamlessly.

PLEASE READ! It Will Only Take A Few Moments

How much does delivery cost to addresses in lower 48 states

Orders \$50.00 (Minimum order) thru 150.00	\$12.95
Orders Over: \$150.00 or more	Free
Minimum Order (Merchandise).....	\$50.00

Shipping

For other USA and International addresses, please contact us for a delivery quote.

How Long Does It Take To Process My Order?

We will make every attempt to process your order in 24 hours. However, please allow us 2-3 business days to process your order.

How Long Does It Take To Receive My Order After It Is Processed?

We utilize a variety of carriers. We ship via UPS, FedEx and USPS Priority Mail with in 7-10 days.

It is the carrier's responsibility for the time it takes to deliver your order. Please note that certain items are Drop Shipped directly from the manufacturer (marked D/S on your invoice). Please allow extra time for delivery of any dropped shipped items (shipping times vary by manufacturer).

What Payment Options Do I Have?

For the fastest service, use Visa, MasterCard, Discover, or American Express. Or you can mail a check or money order and must include driver's license number, telephone number and mailing address.

Prices are subject to change without prior notice. Typographical errors in this catalog are subject to correction

Returns:

All returns must have prior authorization from our customer service department and be in like-new condition when we receive them. We will refuse any unauthorized returns.

Merchandise returns must be shipped pre-paid freight and will be subject to a 20% restocking charge. Special order and drop-shipped items are not returnable, except for defects. We will gladly replace any defective items at no cost to you. No returns will be allowed after 30 days.

Please call us @ (504) 236-2163 to make sure you have the latest edition of this catalog. Store telephone hours: 9:30 am - 3:30 pm Central Time Zone, Monday - Friday.

Place your order 24 hours, 7 day a week, by visiting our main web site: www.dixieart.com -- It's safe, secure and quick.

Mail Orders - short of funds or over payments

Orders short of funds, we reserve the right to change quantities, sizes or delete items to match funds received. For any over-payment we receive, we will issue a Store Credit that can be used on the customer's next order. (a refund check will be issued if requested)

Louisiana residents (all parishes) are required to pay Louisiana Sales tax of 5.0% except Orleans 10.0%, Jefferson 9.75% & Harahan 10.55%